



Thin Profile Graphic Sign Floorstand with Security Enclosure

PRODUCT DATA SHEET

SKU:

➤ PAD-CHKGRA

HOUSING:

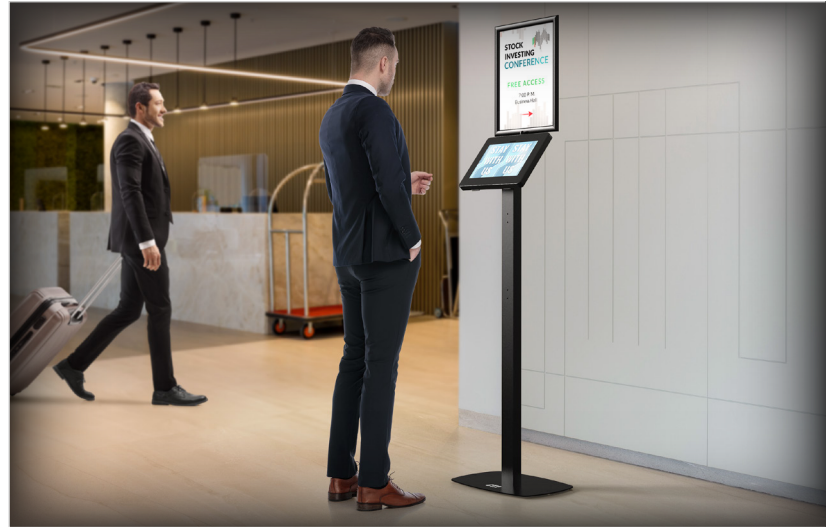
➤ Steel Body,
Rubber, Plastic

MOUNTING:

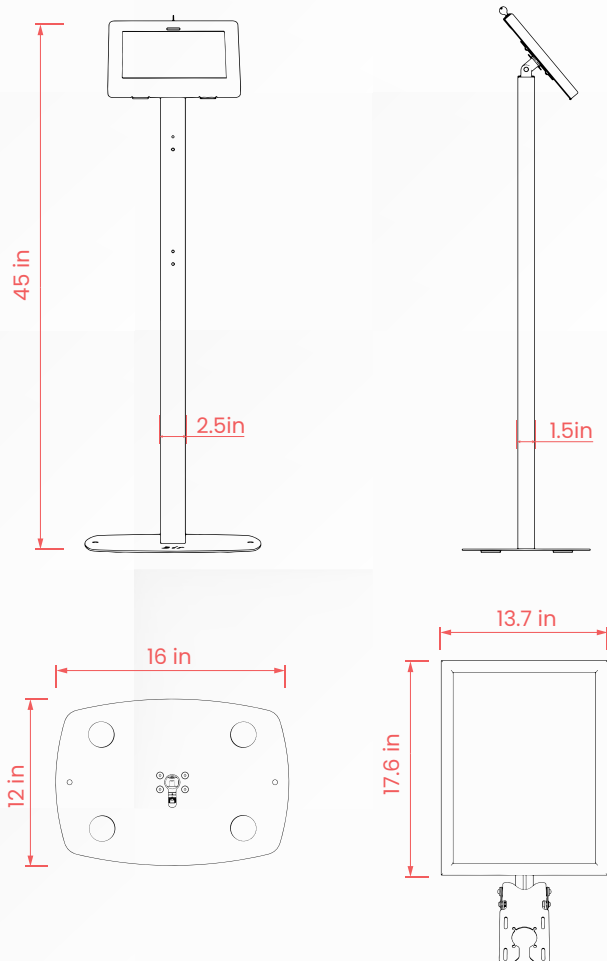
➤ Floor Stand

WEIGHT:

➤ 19.17 Lbs



DIMENSIONS:

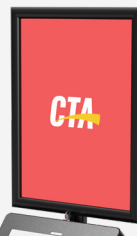


FEATURES:

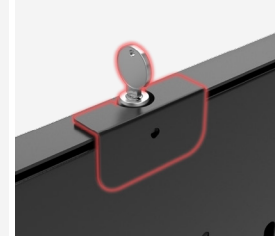
- Heavy-duty locking enclosure
- Portrait and landscape orientations with static locking setup
- Interior cable routing
- Robust weighted base
- Slip and scratch resistant base pads
- VESA 75 x 75 and 100 x 100-millimeter
- Perfect to promote product or service, give instructions and brand recognition.

COMPATIBILITY:

- 9.7-11" tablets



GRAPHIC SIGNAGE



HEAVY-DUTY SECURITY ENCLOSURE



VESA COMPLIANT