



Sleek Floor Stand with Printer Slot

PRODUCT DATA SHEET

SKU:

ADD-LDSLEEK

HOUSING:

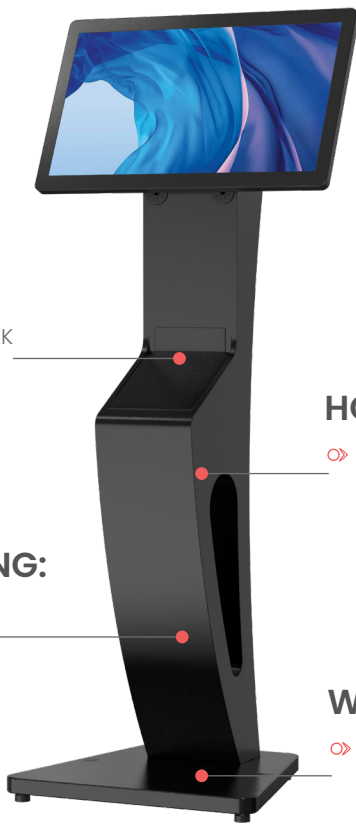
Steel Body

MOUNTING:

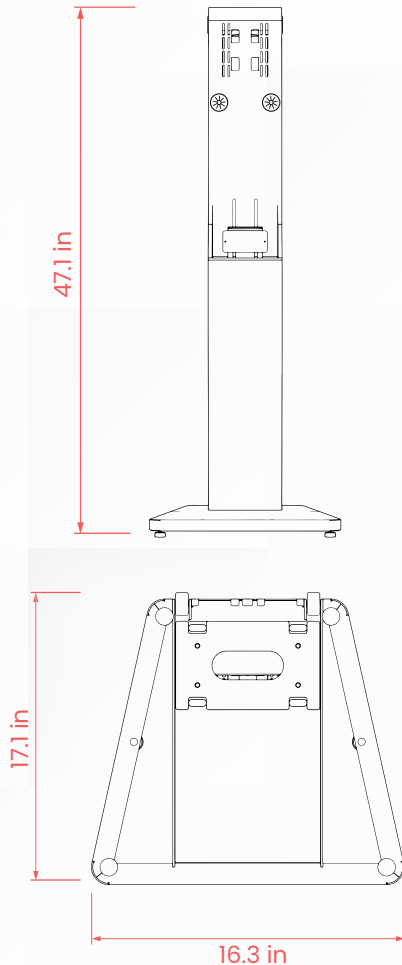
Floor Stand

WEIGHT:

30.2 Lbs



DIMENSIONS:

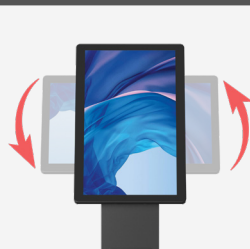


FEATURES:

- Versatile VESA pattern
- Efficient cable routing through the center floor stand
- Sturdy metal construction
- Adjustable press plate holds printer devices securely in place
- Padded base protects surfaces
- Access storage panel with lock

COMPATIBILITY:

- Monitors 31.5" inches
- Tablets, VESA-Compatible enclosures/holders
- Holds monitors up to 30 pounds



PORTRAIT & LANDSCAPE



PRINTER STORAGE



VESA COMPLIANT