

24" IP Monitor PoE Power & Data Android OS

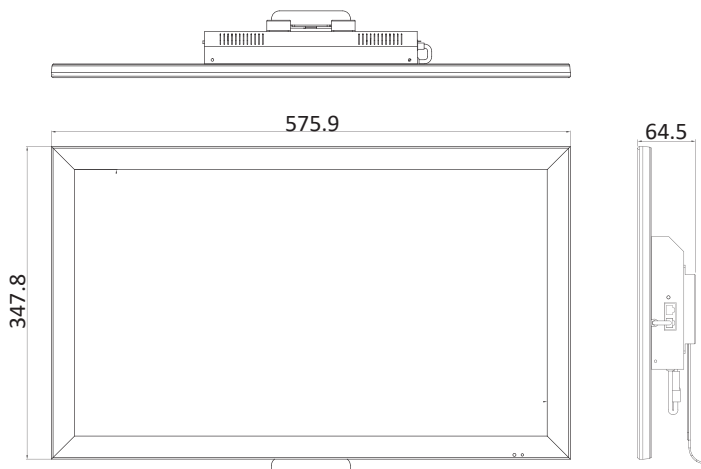


FEATURES

- 24-Inch Screen Size / 1920 x 1080 FHD Resolution
- Support PoE Power and Data
- Embedded Android 11 OS
- RK3566, Quad Core ARM Cortex A55@2.0G CPU
- H.264, H.265 Compression Format
- RTSP Streaming Compatible
- Interface: HDMI/ RJ45/ Audio/ Micro SD/ USB2.0 Ports
- Onvif Profile S
- TAA Compliance / 3-Year Warranty

DIMENSIONS

UNIT:MM



IP24BD-OK-400TD

SPECIFICATIONS	
Size	24 In
Resolution	1920 x 1080
Display Area (mm)	527.04 (H) x 296.46 (V)
Aspect Ratio	16 : 9
Response Time	6ms
Viewing Angle	178° / 178°
Brightness	250cd/m ²
Contrast Ratio	3000 : 1
Color	16.7 M
Backlight	LED
Interface	RJ45 x1, HDMI Out x1, SIM Card (Micro SIM) x1, USB2.0 x2, Audio In x1, Card Slot (Micro SD) x1
Speaker	2x built-in speaker (2 Watt)
CPU	RK3566, Quad core ARM Cortex A55@2.0G
GPU	OpenGL ES1.1/ 2.0/ 3.0/ 3.1/ 3.2, Vulkan 1.1, OpenCL 2.0
RAM / Flash	4GB / 32GB
Video Format	4K x 2K H.264 / H.265 (10-bit)
Image Format	JPG, JPEG, BMP, GIF, PNG
Audio Format	MP1, MP2, MP3, WMA, WAV, OGG, OGA, FLAC, ALAC, APE, ACC, M4A, RM
Operation System	Android 11
RTSP Streaming	Yes
Onvif	Yes
Multi Languages	Yes / Onvif Profile S
Wired Lan	RJ45 connection (support 10/100 Ethernet)
Material / Color	Metal / Black
POE Input DC Range	36VDC to 57VDC (Complies with IEEE802.3at IEEE802.3at/4-Pairs)
Power Consumption	Approx. 27W
POE Power Required	IEEE 802.3bt Type 3 (POE++ 60W)
Operating Temp.	32° F ~ 122° F (0° C ~ 50° C)
Storage Temp.	-4° F ~ 140° F (-20° C ~ 60° C)
Humidity	10% ~ 80%
Dimensions (In/mm)	22.67 x 13.69 x 2.53 / 575.9 x 347.8 x 64.5
Net Weight	12.56 Lbs (5.7 Kg)
Certification	CE / FCC
VESA™	100 x 100
Accessories	USB Mouse x1

**Specifications may change without any notice

30398 Esperanza,
Rancho Santa Margarita, CA 92688

888-651-9688 / 949-586-3338

sales@gvision-usa.com
https://www.gvision-usa.com

