

# Technical Specifications

Model Number:

**PX4-5551I3-E7V2**

**208V, 3Φ, 48A, 17.3kVA**



## LINE DRAWING



## FEATURES

Energy Metering	Voltage (V), Current (A), Active Power (kW), Real Power (kVA), Energy (kWh), Power Factor
Metering Accuracy	Class 0.5 meter (see page 3 for details)
Metering per Input Line	Yes
Metering per Branch Circuit Breaker	Yes
Metering per Output Receptacle	Yes
Remote Outlet Switching	Yes
Power Quality Monitoring	Voltage and Current Harmonic Distortion; Distortion Power Factor; Voltage Dip and Voltage Swell; Neutral Current, Current Inrush, Crest Factor
Outlet Power Distribution	Alternating Branch
Replaceable Controller	Yes, hot-swappable
Environmental Sensor Ready	Yes
Networking	Gigabit (10/100/1000 BaseT) Ethernet port; Secondary, redundant (10/100/1000 BaseT) Ethernet port; Optional Wi-Fi (802.11a/b/g/n)
Remote Management	HTTP(s); SSH (CLI); Telnet; RS-232 (Serial); SNMP version v2/v3; SMTP; JSON-RPC API; MODBUS-TCP; Redfish API
Cascading	Yes, Max 16 PDUs can be daisy chained using a USB connection and 32 PDUs using Ethernet connection
Linking	Yes, a maximum of 8 PDUs can be linked using the PDU Link Port; PDU 1 is defined as the Primary PDU and can link up to 7 additional PDUs, called Link PDUs, totaling 8 PDUs

## Technical Specifications

Model Number:

**PX4-555113-E7V2**

**208V, 3Φ, 48A, 17.3kVA**



### INPUT

Input Plug	IEC 60309 3P+N+E 9h 60A (4P5W)
Cord Length	3 meters (9.84 feet) standard
Cord Entry	Bottom-front feed
Number of Power Cords	1
Input Current, Maximum	60A
Input Current, Rating	48A
Input Voltage, Nominal	208V 3Φ
Input Voltage, Rated	190 - 208V 3Φ
Input Frequency	50/60Hz
Power Capacity	15.8kVA at 190V, 17.3kVA at 208V

### OUTPUT

Voltage, Nominal	208V
Voltage, Rated	190 - 208V
Receptacles (Output Connections)	(12) IEC320 C13 Locking, 12A; (12) Cx Locking, 16A
Outlet Indicators	Yes, R/G/B LEDs; Outlet Powered On/Off, Above/Below Threshold, Outlet Service Mode - Outlet On/Off, Suspect Outlet/Trip Forensics - Outlet Off, Circuit Breaker Trip/Fuse Blown - Outlet On/Off, Boot Up Sequence
Outlet Locking	Yes
SecureLock (P-lock) Support	Yes
Overload Protection	(6) J62-X0

### PHYSICAL

Color	Black powder coat (custom colors available)
Material of Construction	Extruded Aluminum
Unit Dimensions (WxDxH)	2.2" x 2.6" x 70.1" ; 56mm x 65mm x 1780mm
Unit Weight	12.52 kg
Shipping Dimensions (WxDxH)	10.04" x 4.92" x 76.38" ; 255mm x 125mm x 1940mm
Shipping Weight	14.9 kg
Mounting	Tool-less button mount

# Technical Specifications

Model Number:

**PX4-555113-E7V2**

**208V, 3Φ, 48A, 17.3kVA**



## ENVIRONMENTAL

Operating Temperature	60°C
Operating Relative Humidity	5% to 95% (non-condensing)
Operating Elevation	0 to 3048m; 0 to 10,000ft
Storage Temperature	-30 to 80°C/ -22 to 176°F
Storage Relative Humidity	20% to 90%
Storage Elevation	0 to 15,000m; 0 to 50,000ft

## CONFORMANCE

Regulatory Approvals	UL Listed, Canada ICES-003, Part 15 Class A of the FCC rules, RoHS compliant
Warranty	2-year manufacturer warranty

## ACCURACY

	Input Measurement	Output Measurement
LCD & GUI Current	±0.2% at 0.01 A resolution	±0.2% at 0.01 A resolution
Voltage	±0.2% at 0.1 V resolution	±0.2% at 0.1 V resolution
Voltage, Neutral	±1% at 0.1 V resolution	n/a
Current, Neutral	±0.5% at 1% FS resolution (FS is PDU ampere rating)	n/a
Active Power	±0.5% at 1 W resolution	±0.5% at 1 W resolution
Apparent Power	±0.5% at 1 VA resolution	±0.5% at 1 VA resolution
Reactive Power	±1% at 1 VA reactive resolution	±1% at 1 VA reactive resolution
Power Factor	±1% at 0.01 resolution	±1% at 0.01 resolution
Crest Factor	±1% at 0.1 resolution	±1% at 0.1 resolution
Active Energy	±0.5% at 0.1 kWh resolution	±0.5% at 0.1 kWh resolution
Apparent Energy	±0.5% at 0.1 kVAh resolution	n/a
Reactive Energy	±1.0% at 0.1 kVAh resolution	±1.0% at 0.1 kVAh resolution
Voltage, Harmonic Distortion	1.0%	1.0%
Current, Harmonic Distortion	5.0%	5.0%

## Branch Measurement

Current	±1% at 0.01 A resolution
---------	--------------------------

# Technical Specifications

Model Number:

**PX4-5551I3-E7V2**

**208V, 3Φ, 48A, 17.3kVA**

# Raritan®

A brand of **Legrand**

## CONTROL PANEL



## FEATURES

Controller Version	iX9
Swappable/Replaceable	Yes, hot-swappable
Onboard Display	Voltage, current, or active power (per line, or per receptacle /outlet); Alarms; Configuration information (name, ratings, IP/Networking information); Auto-flip orientation
SmartSensors	Yes, compatible sensors: Temperature, Humidity, Airflow, Differential Air Pressure, Water/Leak, Dust/Particle, Proximity/Motion, Vibration, and Sensor Hubs
SmartLock	Yes, compatible sensors: Contact and Contact Closure

## PANEL FEATURES

Control Buttons	Navigate to the menu in the manual mode (Up, Down, Back, or Switch between automatic and manual modes, OK)
Multi-Color LCD	Shows information on the device, built-in components, and connected peripheral devices
Reset Button	Restarts the device's firmware without any loss of power to outlets
Dual Networking Gig E 10/100/1000 Ethernet Ports	Supports up to 1000 Mbps; also supports extended cascading
Dual (2) USB-A Ports	Supports USB-A wireless LAN adapters; iOS mobile devices; cascading for sharing a network connection. Power rating 5V/500mA
USB-B Port	Supports CLI and cascading for sharing a network connection
PDU Link Port	For power sharing, cascading, and current monitoring
Sensor Port	RJ45 connector; Power/control sensor packages/actuators, current monitoring; also supports Sensor Hubs

# Technical Specifications

Model Number:

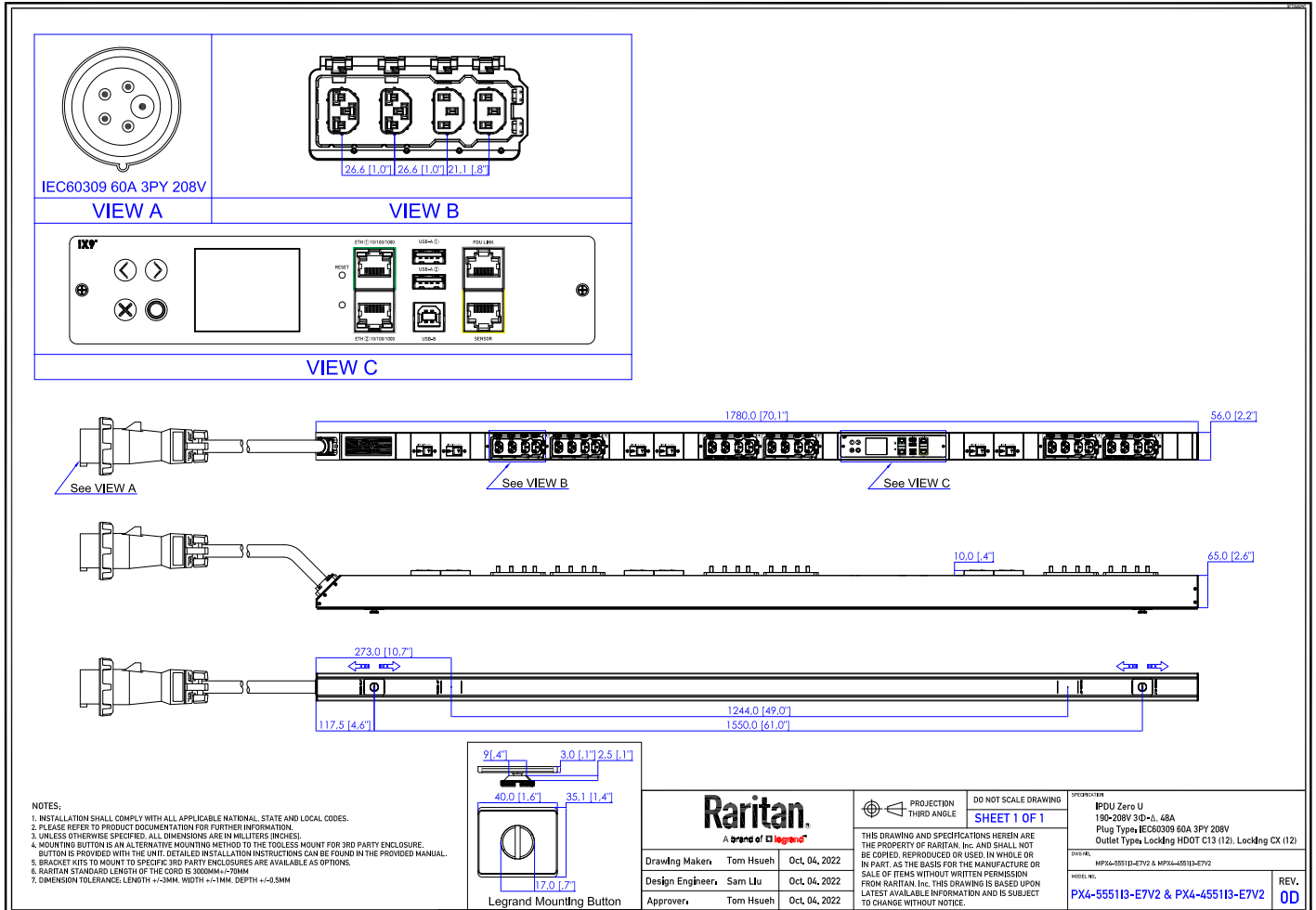
**PX4-555113-E7V2**

**208V, 3Φ, 48A, 17.3kVA**

# Raritan®

A brand of **Legrand**

## MECHANICAL DIAGRAM



# Technical Specifications

Model Number:

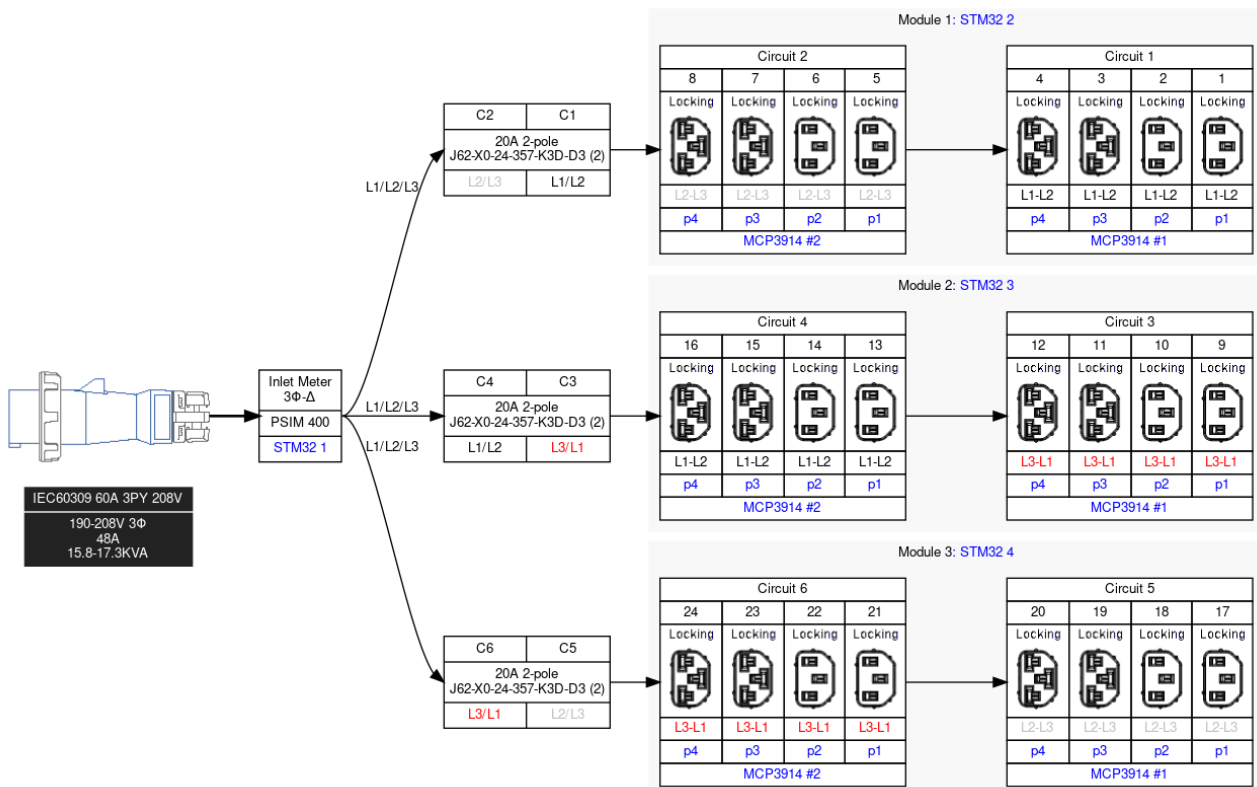
**PX4-555113-E7V2**

**208V, 3Φ, 48A, 17.3kVA**

# Raritan®

A brand of **Legrand**

## ELECTRICAL (ONE LINE) DIAGRAM



# Technical Specifications

Model Number:

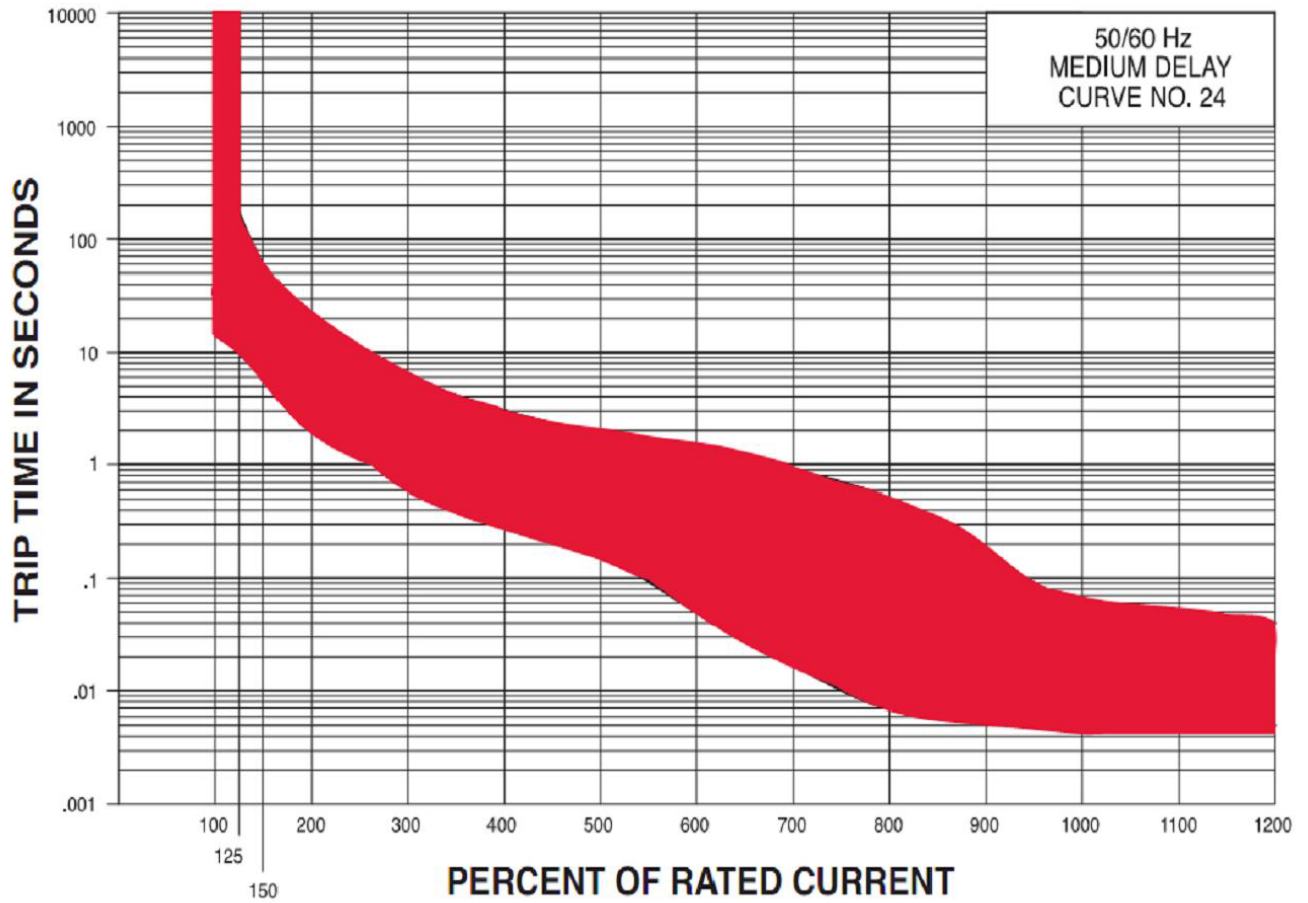
**PX4-555113-E7V2**

**208V, 3Φ, 48A, 17.3kVA**

# Raritan®

A brand of **Legrand**

## TRIP CURVE



## Technical Specifications

Model Number:

**PX4-555113-E7V2**

**208V, 3Φ, 48A, 17.3kVA**



### ADDITIONAL INFORMATION

Warranty: Raritan offers a standard 2-year limited parts and labor warranty. Extended support is available at the time of purchase. Contact your local Raritan representative for more information.

Patents: Information on Raritan patents is available at [www.raritan.com/patents](http://www.raritan.com/patents)

"Global" models are typically for use in countries outside of North America. Contact your local Raritan representative for more information about which models are appropriate for your application.

Information in this document is current as of time of publishing. Contact your local Raritan representative for the most up-to-date information.

This datasheet was generated on May 23, 2024.

Interested in learning more about how Raritan products can help you manage and distribute power in your data center? Visit us online at [www.raritan.com](http://www.raritan.com)