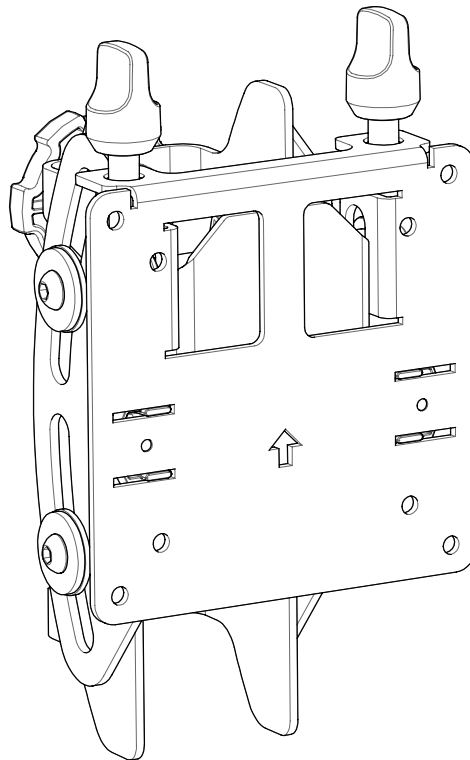


AWM Tilt Bracket



FEATURES

- Ideal for large, deep or heavy monitors
- Use with AWM Post
- Fix at any height on post
- Balanced tilt to set optimum display angle
- Micro adjustment allows fine tuning of height while monitor attached
- Micro adjustment allows levelling of monitor horizontal straightness
- Quick connect display attachment
- Toolless adjustment
- Displays can be mounted in landscape or portrait orientation

Monitor weight

Flat

4.5 - 25kg (10 - 55lb)*

Curved

4.5 - 18kg (10 - 40lb)*

Monitor size

24" - 55"

Max. overall monitor depth

300mm (12")

Tilt adjustment

+12° / -8°

Micro adjustment

Fine tune height

+6mm/-6mm (+¼"/-¼")

Levelling

+3° / -3°

VESA mounting

75x75, 100x100

Primary material

Steel

*Monitor weight should be within the weight range of all modular elements that make up the complete monitor mounting solution.

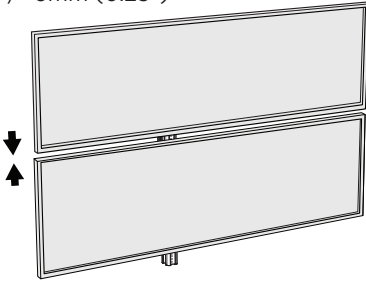
* Offset VESA locations exert additional leverage that can exceed the capacity of the mount even though the monitor weight may be within the stated range. Please contact Atdec if you would like further information.

WARRANTY

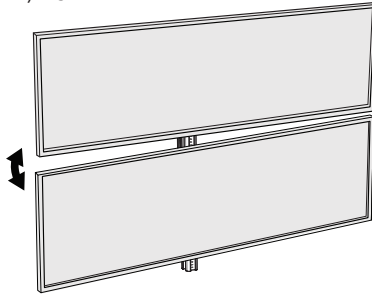
10 years limited

MOVEMENT

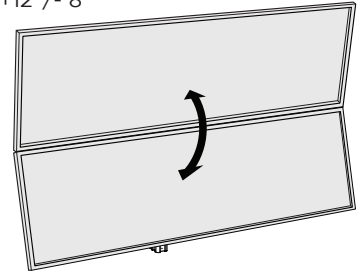
Micro adjustment - Fine tune height
+/- 6mm (0.25")



Micro adjustment - Levelling
+/- 3°

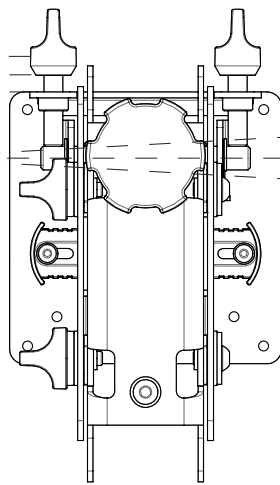


Tilt angle
+12°/- 8°



Fine tune height adjustment

+6mm (0.25")
-6mm (0.25")

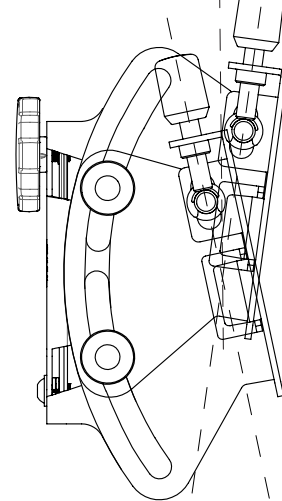


BACK VIEW

Levelling adjustment

+3°
-3°

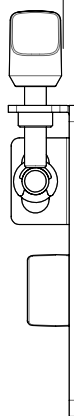
Tilt angle +12° -8°



SIDE VIEW

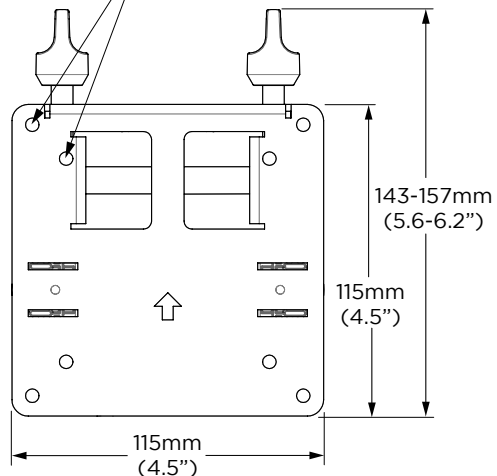
VESA BRACKET DIMENSIONS

5mm* (0.2")



SIDE VIEW

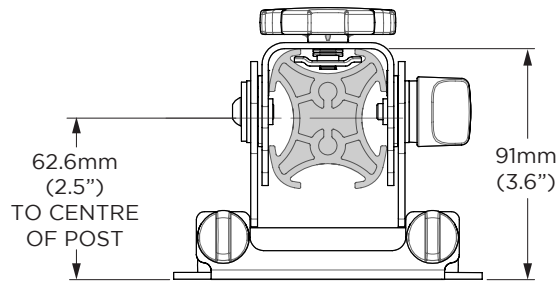
75x75 and 100x100 VESA mounting holes



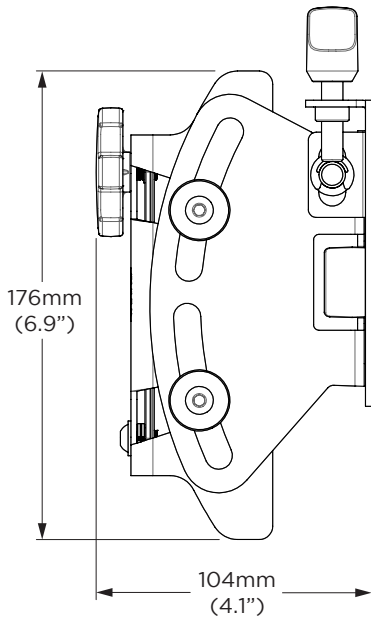
FRONT VIEW

* Supplied 10mm spacers may be required for recessed monitor surfaces

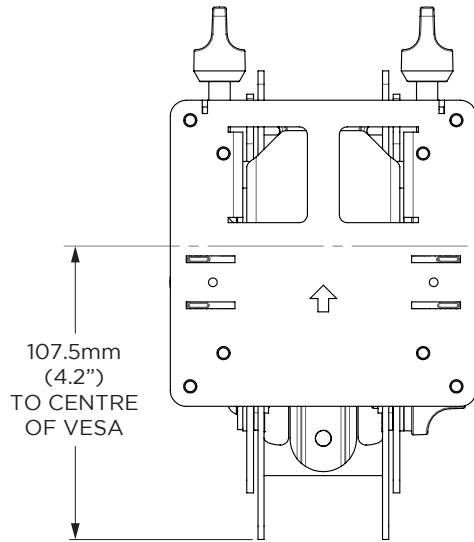
DIMENSIONS



TOP VIEW



SIDE VIEW



FRONT VIEW