



\* All images are for illustrative purposes only.

**INDOOR** LG LED SIGNAGE

# LSCB Ultra Slim Series



Ultra Slim Depth



Easy & Seamless Installation



16:9 FHD/UHD Configuration



90° Corner Design Available



EMC Class B Certified & Fire Resistant Design

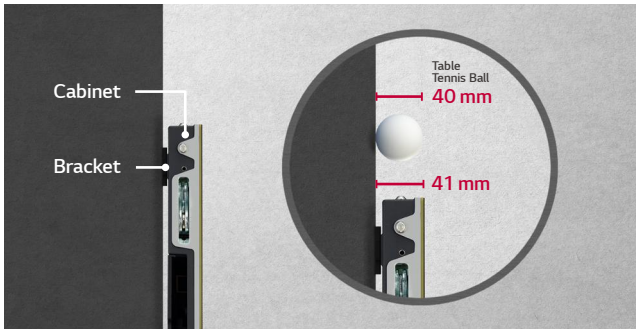


User-Specific Customization



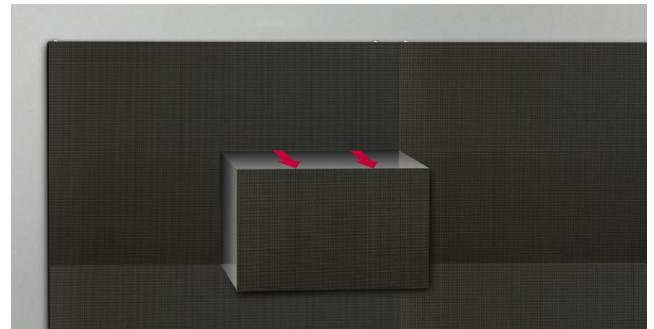
Compatibility with LG Software Solutions





### Ultra Slim Depth

Its ultra-slim design with 41 mm edge thickness is the biggest advantage of the product. This feature enables the LSCB series to be installed in a variety of venues, as its thinness helps it to harmonize with its surroundings.



### Easy & Seamless Installation

The LSCB series can be easily installed and managed from the front side for easy operation. Thanks to this feature, no additional space for maintenance behind the product is required. Its LED modules can also be simply attached or detached with a suction tool.



### 16:9 FHD/UHD Configuration

Each cabinet uses a 16:9 aspect ratio, the same most commonly used in displays for FHD and UHD content. This allows you to keep using existing content without additional cost and time for editing.



Conventional

90° Corner Option Applied

### 90° Corner Design Available

If you add 90° corner option, the LSCB series fits naturally into the space and delivers smooth content to customers.



### EMC Class B Certified & Fire Resistant Design

The LSCB series is safe from electromagnetic waves, which are harmful to the environment and human body, with EMC Class B certification and is designed with fire protection certification to prevent the fast spread of flames even if it catches on fire.



### Compatibility with LG Software Solutions

When connected with LG's CVCA system controller, the LSCB series is compatible with LG software solutions including SuperSign CMS, LED Assistant, and ConnectedCare, which help customers operate their own business deftly.

\* The availability of the 'LG ConnectedCare' service differs by region, and it needs to be purchased separately. So please contact the LG sales representative in your region for more details.

\* The items that can be monitored by LG ConnectedCare : Main Board (Temp., Signal Status, FPGA Ver, Ethernet Connection Status), Receiving Card (Temp., LED Power)

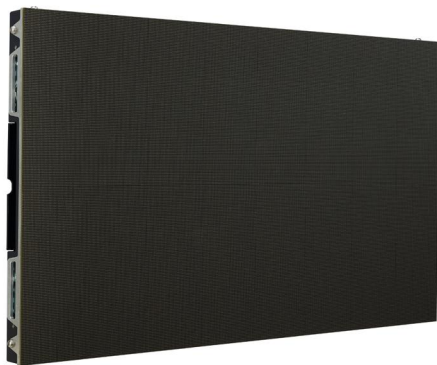


## Flexible Curve LED Display

The LSCB-CKF, a specially-designed flexible curved LED display, supports true concave and convex curvatures up to 383 mm\*. This greatly enhances the design's flexibility, which allows users to freely create the curved screen as they want.

\* Applied to the LSCB15-CKF, LSCB18-CKF, and LSCB25-CKF models only. The LSCB12-CKF supports curvatures of up to 1,720 mm.

## PRODUCT INFORMATION



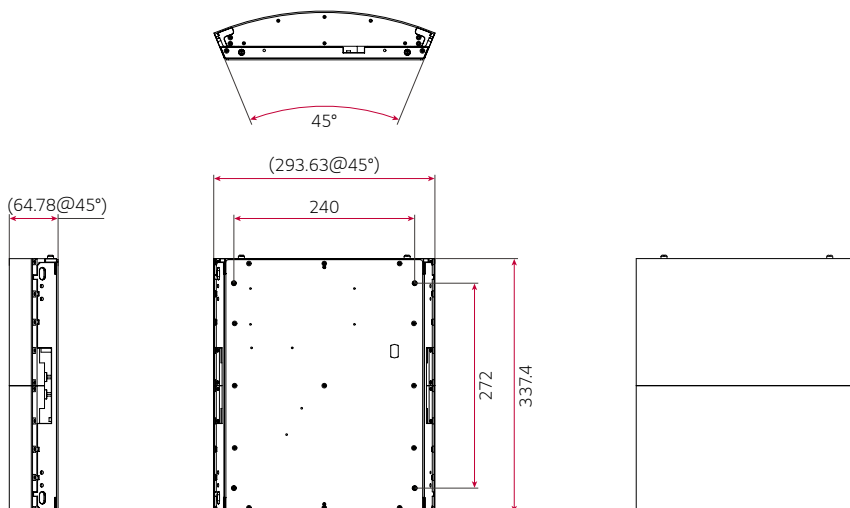
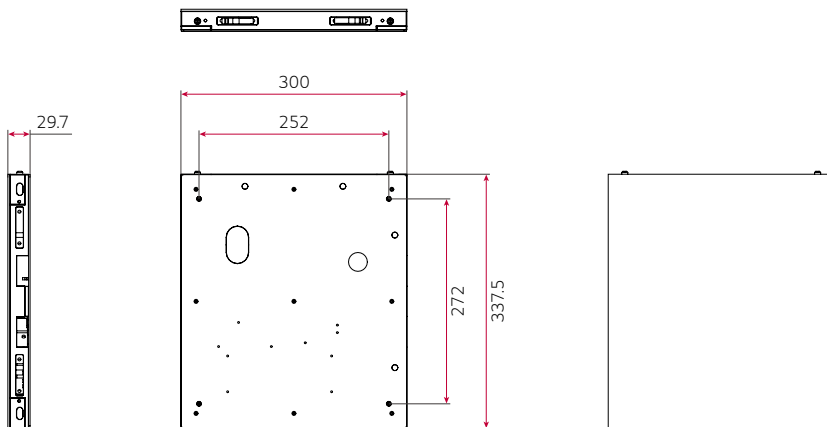
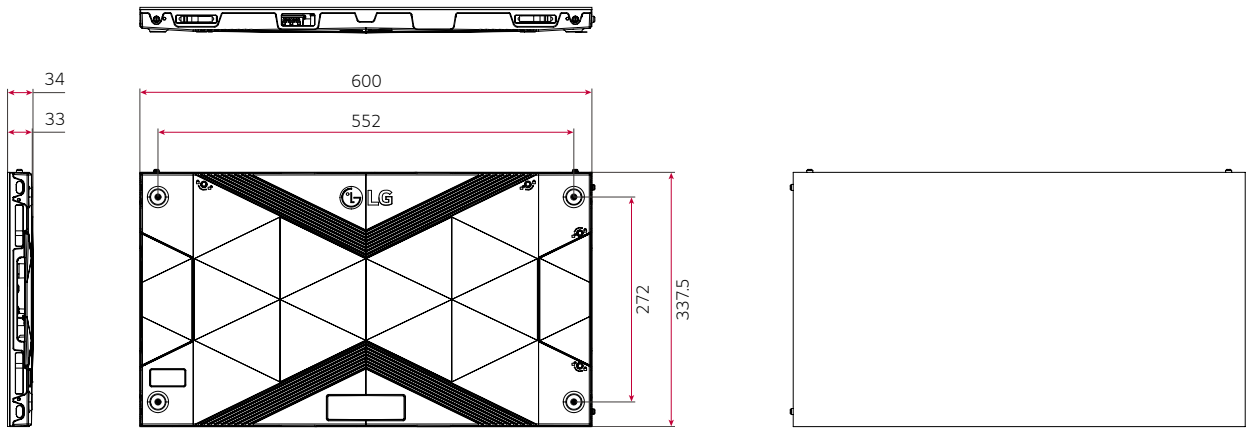
### LSCB Series

Pixel Pitch	1.25 / 1.56 / 1.88 / 2.50 mm
Brightness	800 nit
Cabinet Weight	5.3 kg
Serviceability	Front
IP Rating	IP30

Cabinet	Standard	Mini	Curved
	600 × 337.5 mm	300 × 337.5 mm	300 × 337.5 mm
Pixel Pitch P1.2	LSCB012-RK	LSCB012-CK	LSCB012-CKF
Pixel Pitch P1.5	LSCB015-RK	LSCB015-CK	LSCB015-CKF
Pixel Pitch P1.8	LSCB018-RK	LSCB018-CK	LSCB018-CKF
Pixel Pitch P2.5	LSCB025-RK	LSCB025-CK	LSCB025-CKF

# DIMENSION

(unit: mm)



# SPECIFICATIONS

Panel	Model Name	LSCB012-RK	LSCB015-RK	LSCB018-RK	LSCB025-RK
Physical Parameters	Pixel Configuration	3 in 1	3 in 1	3 in 1	3 in 1
	Pixel Pitch (mm)	1.250	1.563	1.875	2.500
	Module Resolution (W × H)	240 × 135	192 × 108	160 × 90	120 × 135
	Module Dimensions (W × H, mm)	300 × 168.75	300 × 168.75	300 × 168.75	300 × 337.5
	Weight per Module (kg)	0.37	0.34	0.32	0.64
	No. of Modules per Cabinet (W × H)	2 × 2	2 × 2	2 × 2	2 × 1
	Cabinet Resolution (W × H)	480 × 270	384 × 216	320 × 180	240 × 135
	Cabinet Dimensions (W × H × D, mm)	600 × 337.5 × 34	600 × 337.5 × 34	600 × 337.5 × 34	600 × 337.5 × 34
	Cabinet Surface Area (m <sup>2</sup> )	0.203	0.203	0.203	0.203
	Weight per Cabinet (kg/Cabinet)	5.3	5.3	5.3	5.3
	Weight per Square Meter (kg/m <sup>2</sup> )	26.2	26.2	26.2	26.2
	Physical Pixel Density (pixels/m <sup>2</sup> )	640,000	409,600	284,444	160,000
	Flatness of Cabinet (mm)	±0.1	±0.1	±0.1	±0.1
	Cabinet Material	Die-casting Aluminum	Die-casting Aluminum	Die-casting Aluminum	Die-casting Aluminum
	Service Access	Front	Front	Front	Front
Optical Specifications	Max. Brightness (After Calibration)	800	800	800	800
	Color Temperature (K)	3,200-9,300	3,200-9,300	3,200-9,300	3,200-9,300
	Visual Viewing Angle (H × V)	160 × 160	160 × 160	160 × 160	160 × 160
	Brightness Uniformity	97%	97%	97%	97%
	Color Uniformity	±0.003 Cx,Cy	±0.003 Cx,Cy	±0.003 Cx,Cy	±0.003 Cx,Cy
	Contrast Ratio	5,000 : 1	5,000 : 1	5,000 : 1	5,000 : 1
	Processing Depth (bit)	14 (HDR10, HDR10 Pro)	16 (HDR10, HDR10 Pro)	14 (HDR10, HDR10 Pro)	14 (HDR10, HDR10 Pro)
Electrical Specifications	Power Consumption (W/Cabinet, Max.)	150	150	150	100
	Power Consumption (W/Cabinet, Avg.)	50	50	50	34
	Power Consumption (W/m <sup>2</sup> , Max.)	740	740	740	494
	Power Supply (V)	100 to 240	100 to 240	100 to 240	100 to 240
	Frame Rate (Hz)	50 / 60	50 / 60	50 / 60	50 / 60
	Refresh Rate (Hz)	3,840	3,840	3,840	3,840
Operation Specifications	Lifetime (Hours to Half Brightness)	100,000	100,000	100,000	100,000
	Operating Temperature (°C)	-10°C to +45°C	-10°C to +45°C	-10°C to +45°C	-10°C to +45°C
	Operating Humidity	0-80% RH	0-80% RH	0-80% RH	0-80% RH
	IP Rating Front / Rear	IP30 / IP30	IP30 / IP30	IP30 / IP30	IP30 / IP30

\* Signal redundancy is supported.

# SPECIFICATIONS

Panel	Model Name	LSCB012-CK	LSCB015-CK	LSCB018-CK	LSCB025-CK
Physical Parameters	Pixel Configuration	3 in 1	3 in 1	3 in 1	3 in 1
	Pixel Pitch (mm)	1.250	1.563	1.875	2.500
	Module Resolution (W × H)	240 × 135	192 × 108	160 × 90	120 × 135
	Module Dimensions (W × H, mm)	300 × 168.75	300 × 168.75	300 × 168.75	300 × 337.5
	Weight per Module (kg)	0.37	0.34	0.32	0.64
	No. of Modules per Cabinet (W × H)	1 × 2	1 × 2	1 × 2	1 × 1
	Cabinet Resolution (W × H)	240 × 270	192 × 216	160 × 180	120 × 135
	Cabinet Dimensions (W × H × D, mm)	300 × 337.5 × 29.7	300 × 337.5 × 29.7	300 × 337.5 × 29.7	300 × 337.5 × 29.7
	Cabinet Surface Area (m <sup>2</sup> )	0.101	0.101	0.101	0.101
	Weight per Cabinet (kg/Cabinet)	4.0	4.0	4.0	4.0
	Weight per Square Meter (kg/m <sup>2</sup> )	39.0	39.0	39.0	39.0
	Physical Pixel Density (pixels/m <sup>2</sup> )	640,000	409,600	284,444	160,000
	Flatness of Cabinet (mm)	±0.1	±0.1	±0.1	±0.1
	Cabinet Material	Aluminum Machine	Aluminum Machine	Aluminum Machine	Aluminum Machine
	Service Access	Front	Front	Front	Front
Optical Specifications	Max. Brightness (After Calibration)	800	800	800	800
	Color Temperature (K)	3,200-9,300	3,200-9,300	3,200-9,300	3,200-9,300
	Visual Viewing Angle (H × V)	160 × 160	160 × 160	160 × 160	160 × 160
	Brightness Uniformity	97%	97%	97%	97%
	Color Uniformity	±0.003 Cx,Cy	±0.003 Cx,Cy	±0.003 Cx,Cy	±0.003 Cx,Cy
	Contrast Ratio	5,000 : 1	5,000 : 1	5,000 : 1	5,000 : 1
	Processing Depth (bit)	14 (HDR10, HDR10 Pro)	16 (HDR10, HDR10 Pro)	14 (HDR10, HDR10 Pro)	14 (HDR10, HDR10 Pro)
Electrical Specifications	Power Consumption (W/Cabinet, Max.)	75	75	75	55
	Power Consumption (W/Cabinet, Avg.)	25	25	25	18
	Power Consumption (W/m <sup>2</sup> , Max.)	740	740	740	543
	Power Supply (V)	100 to 240	100 to 240	100 to 240	100 to 240
	Frame Rate (Hz)	50 / 60	50 / 60	50 / 60	50 / 60
	Refresh Rate (Hz)	3,840	3,840	3,840	3,840
Operation Specifications	Lifetime (Hours to Half Brightness)	100,000	100,000	100,000	100,000
	Operating Temperature (°C)	-10°C to +45°C	-10°C to +45°C	-10°C to +45°C	-10°C to +45°C
	Operating Humidity	0-80% RH	0-80% RH	0-80% RH	0-80% RH
	IP Rating Front / Rear	IP30 / IP30	IP30 / IP30	IP30 / IP30	IP30 / IP30

\* Signal redundancy is supported.

\* Specifications are subject to change without notice. Please make sure to check the product manual for details about product usage.



## SPECIFICATIONS

Panel	Model Name	LSCB012-CKF	LSCB015-CKF	LSCB018-CKF	LSCB025-CKF
Physical Parameters	Minimum Radius (mm)	1,720	383	383	383
	Pixel Configuration	3 in 1	3 in 1	3 in 1	3 in 1
	Pixel Pitch (mm)	1.250	1.563	1.875	2.500
	Module Resolution (W × H)	240 × 135	192 × 108	160 × 90	120 × 135
	Module Dimensions (W × H, mm)	300 × 168.75	300 × 168.75	300 × 168.75	300 × 337.5
	Weight per Module (kg)	0.67	0.67	0.67	1.40
	No. of Modules per Cabinet (W × H)	1 × 2	1 × 2	1 × 2	1 × 1
	Cabinet Resolution (W × H)	240 × 270	192 × 216	160 × 180	120 × 135
	Cabinet Dimensions (W × H × D, mm)	300 × 337.5 × 35.6 <sup>1)</sup> (Cabinet Mounting Depth)	300 × 337.5 × 35.6 <sup>1)</sup> (Cabinet Mounting Depth)	300 × 337.5 × 35.6 <sup>1)</sup> (Cabinet Mounting Depth)	300 × 337.5 × 35.6 <sup>1)</sup> (Cabinet Mounting Depth)
	Cabinet Surface Area (m <sup>2</sup> )	0.101	0.101	0.101	0.101
	Weight per Cabinet (kg/Cabinet)	3.5 <sup>1)</sup>	3.1 <sup>1)</sup>	3.1 <sup>1)</sup>	3.1 <sup>1)</sup>
	Weight per Square Meter (kg/m <sup>2</sup> )	34.6	30.6	30.6	30.6
	Physical Pixel Density (pixels/m <sup>2</sup> )	640,000	409,600	284,444	160,000
	Flatness of Cabinet (mm)	±0.1	±0.1	±0.1	±0.1
	Cabinet Material	Aluminum Machine	Aluminum Machine	Aluminum Machine	Aluminum Machine
	Service Access	Front	Front	Front	Front
Optical Specifications	Max. Brightness (After Calibration)	800	800	800	800
	Color Temperature (K)	3,200-9,300	3,200-9,300	3,200-9,300	3,200-9,300
	Visual Viewing Angle (H × V)	160 × 160	160 × 160	160 × 160	160 × 160
	Brightness Uniformity	97%	97%	97%	97%
	Color Uniformity	±0.003 Cx,Cy	±0.003 Cx,Cy	±0.003 Cx,Cy	±0.003 Cx,Cy
	Contrast Ratio	5,000 : 1	5,000 : 1	5,000 : 1	5,000 : 1
	Processing Depth (bit)	14 (HDR10, HDR10 Pro)	16 (HDR10, HDR10 Pro)	14 (HDR10, HDR10 Pro)	14 (HDR10, HDR10 Pro)
Electrical Specifications	Power Consumption (W/Cabinet, Max.)	75	75	75	55
	Power Consumption (W/Cabinet, Avg.)	25	25	25	18
	Power Consumption (W/m <sup>2</sup> , Max.)	740	740	740	543
	Power Supply (V)	100 to 240	100 to 240	100 to 240	100 to 240
	Frame Rate (Hz)	50 / 60	50 / 60	50 / 60	50 / 60
	Refresh Rate (Hz)	3,840	3,840	3,840	3,840
Operation Specifications	Lifetime (Hours to Half Brightness)	100,000	100,000	100,000	100,000
	Operating Temperature (°C)	-10°C to +45°C	-10°C to +45°C	-10°C to +45°C	-10°C to +45°C
	Operating Humidity	0-80% RH	0-80% RH	0-80% RH	0-80% RH
	IP Rating Front / Rear	IP30 / IP30	IP30 / IP30	IP30 / IP30	IP30 / IP30

<sup>1)</sup> The cabinet dimensions and weight change depending on its curvature and radius.

\* Signal redundancy is supported.

\* Specifications are subject to change without notice. Please make sure to check the product manual for details about product usage.

# SPECIFICATIONS

Controller	Model Name	LCIN006	LCIN007	LCIN008	CVCA
Max Output Range	Loading Capacity	1,920 × 1,200 @60Hz	1,920 × 1,200 @60Hz	4,096 × 2,160 @60Hz	3,840 × 2,160 @60Hz
	Max Output Range	Maximum Width: 3,840 Pixels, Maximum Height: 2,560 Pixels	Maximum Width: 3,840 Pixels, Maximum Height: 2,560 Pixels	Maximum Width: 7,680 Pixels, Maximum Height: 7,680 Pixels	-
	Output Resolution	2.304 Million Pixels	2.304 Million Pixels	8.8 Million Pixels	8.2944 Million Pixels
Input	HDMI	HDMI 1.3	HDMI 1.3	HDMI 2.0	HDMI 2.0
	HDCP	HDCP 1.4	HDCP 1.4	HDCP 1.4 / 2.2	HDCP 2.2
	DP	No	No	DP 1.2 / HDCP 1.3	DP 1.2 / HDCP 2.2
	DVI	Yes	Yes	Yes (2-channel)	No
	SDI	No	No	No	No
Output	OPS	No	No	No	Yes
	HDMI	No / Yes (LOOP)	No / Yes (LOOP)	No	No
	DP	No	No	No	No
	DVI	No / Yes (LOOP)	No / Yes (LOOP)	No	No
	Optic (To LED Screen)	No	No	Yes (4-channel)	No
Control	Ethernet (To LED Screen)	Yes (4-channel)	Yes (4-channel)	Yes (16-channel)	Yes (16-channel)
	LAN	No	No	Yes	Yes
	USB	Yes	Yes	Yes (LOOP)	No
	RS-232C	No / Yes (LOOP)	No / Yes (LOOP)	No	Yes (LOOP)
Sensor	GenLock	No	No	Yes	No
	Ambient Light	Yes	Yes	Yes	No
Video Processing	Temperature	No	No	No	Yes
	Brightness Adjustment	Yes	Yes	Yes	Yes
	Chroma Adjustment	Yes	Yes	Yes	Yes
	Improved Grayscale at Low Brightness	No	No	Yes	Yes
	Scaling	No	No	No	Yes
	HDR	No	No	HDR10 / HLG	HDR10 Pro
Application	EDID Custom	Yes	Yes	Yes	No
	CMS	No	No	No	SuperSign CMS
	webOS API	No	No	No	Yes
	LG ConnectedCare	No	No	No	Yes
Mechanical	Configuration SW	NovaLCT	NovaLCT	NovaLCT	LED Assistant
	Size (W x H x D) (mm)	482 × 44.4 × 250	483 × 55.3 × 258.1	482.6 × 96 × 372	443 × 63 × 307.5
	Weight (kg)	2.9 / 3.6	2.9 / 3.6	4.6	4.9

\* Specifications are subject to change without notice. Please make sure to check the product manual for details about product usage.



Download  
LG C-Display+  
Mobile App  
Google Play Store

[www.lg.com/global/business/information-display](http://www.lg.com/global/business/information-display)  
[www.youtube.com/c/LGCommercialDisplay](https://www.youtube.com/c/LGCommercialDisplay)  
[www.facebook.com/LGInformationDisplay](https://www.facebook.com/LGInformationDisplay)  
[www.linkedin.com/company/lginformationdisplay](https://www.linkedin.com/company/lginformationdisplay)  
[twitter.com/LG\\_ID\\_HQ](https://twitter.com/LG_ID_HQ)

LG may make changes to specifications and product descriptions without notice. Copyright © 2022 LG Electronics Inc. All rights reserved. "LG Life's Good" is a registered trademark of LG Corp. The names of products and brands mentioned here may be the trademarks of their respective owners.

