

SARIX® PROFESSIONAL 4 CAMERA SERIES

2 MP

3 MP

5 MP

8 MP

5-YEAR WARRANTY

The Sarix® Professional 4 Series is a versatile, cost-effective security solution with enhanced imaging capabilities. The camera line can produce high-quality video with sharp details even in low-light conditions. The series is weather and impact resistant, making it an optimal choice for various industries and complex environments.

Equipped with Pelco Smart Analytics, powered by Motorola Solutions, this series helps to detect critical events and increase security teams' productivity by expediting real-time responses and forensic investigations.



FEATURES



ENHANCED IMAGING QUALITY

Achieves high-quality video with sharp details. True WDR allows the camera to efficiently capture details in both bright and dark areas of a scene.



PELCO SMART ANALYTICS, POWERED BY MOTOROLA SOLUTIONS

Detects and classifies more objects for greater accuracy and faster responses, even in crowded scenes.



ONVIF® COMPLIANT

ONVIF Profile S, G, T and M compliance allows for easy integration with existing ONVIF infrastructures. Integrated with Pelco VideoXpert and other leading video management systems.



5-YEAR INDUSTRY-LEADING WARRANTY

Assembled in manufacturing facilities in North America, with a five-year warranty.



MODULAR DESIGN (SELECT MODELS)

Simple and intuitive to install.



WEATHER & IMPACT RESISTANT

IP66/IP67 and Type 4X weather rating and IK10 impact rating for vandal resistance.



DATA SECURITY & PROTECTION

Meet the high data security standards required by federal government agencies and heavily regulated enterprises with FIPS-compliant cryptography support, integrated TPM and Secure Boot.¹

ONVIF is a trademark of Onvif, Inc.

¹Secure Boot is available on cameras manufactured after May 1, 2023.

SPECIFICATIONS

| IMAGE PERFORMANCE | | 2.0 MP | 3.0 MP | 5.0 MP | 8.0 MP |
|------------------------------------|------------------|--|---|--|--|
| Image Sensor | | 1/2.8" progressive scan CMOS | | | 1/1.8" CMOS |
| Imaging Area (H x V) | | 5.57 mm x 3.13 mm 0.219" x 0.123" | 5.18 mm x 3.89 mm 0.204" x 0.153" | 7.68 mm x 4.32 mm 0.302" x 0.170" | |
| Aspect Ratio | | 16:9 | 4:3 | 16:9 | |
| Dynamic Range | WDR Off | 83 dB | | | |
| | WDR On | 126 dB | 130 dB | | |
| Camera Operating Mode | | Full Feature/No Video Analytics | | Full Feature/No Video Analytics/High Framerate | |
| Max Frame Rate | | (50 Hz/60 Hz): 50 fps/60 fps | | (50 Hz/60 Hz): 25 fps/30 fps | |
| Streaming Resolutions ¹ | Primary Stream | 1920x1080, 1440x1080 | 2048x1536, 2048x1152, 1792x1344 | 2592x1944, 2240x1680, 2560x1440, 1920x1080 | 3840x2160, 3200x1800, 2880x2160, 3072x1728, 2560x1920, 1920x1080 |
| | Secondary Stream | 1920x1080, 1440x1080, 1280x960, 1280x720, 960x720, 800x600, 768x432, 640x480, 640x360, 512x288, 384x288, 384x216 | 1760x1320, 1920x1080, 1600x1200, 1280x960, 1280x720, 960x720, 768x432, 640x480, 640x360, 512x384, 512x288, 384x288, 384x216 | 1600x1200, 1440x1080, 1920x1080, 1280x960, 1280x720, 800x600, 768x432, 640x480, 640x360, 512x384, 512x288, 384x288, 368x264, 384x216 | 1920x1440, 1920x1080, 1600x1200, 1280x960, 1280x720, 800x600, 768x432, 640x480, 640x360, 512x384, 512x288, 384x288 |
| | Tertiary Stream | 640x360, 512x384, 512x288, 384x216 | 640x480, 640x360, 512x384, 384x288, 384x216 | 640x360, 512x384, 512x288, 384x288, 368x264, 384x216 | 640x360, 512x384 |
| Bandwidth Management | | Pelco Smart Compression technology; Idle scene mode | | | |
| 3D Noise Reduction Filter | | Supported | | | |

¹ Available stream options may vary based on the combination of resolution and frame-rates selected for the individual streams, as well as the camera operating mode.

| LENS AND IR ILLUMINATION (DOME) | | 2.0 MP | 3.0 MP | 5.0 MP | 8.0 MP |
|---|--------------------|---|--|------------|--|
| IR Illumination Max Distance (high power 850 nm LEDs) | Indoor Dome | 30 m | | | N/A |
| | Environmental Dome | 40 m | | | |
| Minimum Illumination (at 33 ms shutter speed) | | With IR: 0 lux in monochrome mode; Without IR: 0.01 lux in color mode; 0.005 lux in monochrome mode | With IR: 0 lux in monochrome mode; Without IR: 0.04 lux in color mode; 0.02 lux in monochrome mode | | With IR: 0 lux in monochrome mode; Without IR: 0.02 lux in color mode; 0.01 lux in monochrome mode |
| Horizontal Angle of View | | 101° - 31° | 95° - 28° | 103° - 47° | |
| Vertical Angle of View | | 53° - 17° | 69° - 21° | 54° - 26° | |
| Max Aperture | | F1.6 | | | F1.3 |
| Lens Control | | Remote Zoom and Focus, Autofocus, IR Cut Filter | | | |

| LENS AND IR ILLUMINATION (BULLET) | | 2.0 MP | 3.0 MP | 5.0 MP | 8.0 MP |
|---|--------------|---|--|-----------|--|
| IR Illumination Max Distance (high power 850 nm LEDs) | 3.4-10.5 mm | 50 m | | | N/A |
| | 10.9-29 mm | 60 m | | | N/A |
| | 4.8-40.8 mm | 80 m | | | N/A |
| | 4.4 - 9.3 mm | N/A | | | 50m |
| Minimum Illumination (at 33 ms shutter speed) | 3.4-10.5 mm | With IR: 0 lux in monochrome mode; Without IR: 0.01 lux in color mode; 0.005 lux in monochrome mode | With IR: 0 lux in monochrome mode; Without IR: 0.04 lux in color mode; 0.02 lux in monochrome mode | | N/A |
| | 10.9-29 mm | N/A | | | N/A |
| | 4.8-40.8 mm | N/A | | | N/A |
| | 4.4 - 9.3 mm | N/A | | | With IR: 0 lux in monochrome mode; Without IR: 0.02 lux in color mode; 0.01 lux in monochrome mode |
| Horizontal Angle of View | 3.4-10.5 mm | 101° - 31° | 95° - 28° | | N/A |
| | 10.9-29 mm | N/A | | 28° - 10° | N/A |
| | 4.8-40.8 mm | N/A | | 57° - 7° | N/A |
| | 4.4 - 9.3 mm | N/A | | | 103° - 47° |
| Vertical Angle of View | 3.4-10.5 mm | 53° - 17° | 69° - 21° | | N/A |
| | 10.9-29 mm | N/A | | 21° - 7° | N/A |
| | 4.8-40.8 mm | N/A | | 44° - 5° | N/A |
| | 4.4 - 9.3 mm | N/A | | | 54° - 26° |
| Max Aperture | 3.4-10.5 mm | F1.6 | | | N/A |
| | 10.9-29 mm | F1.7 | | | N/A |
| | 4.8-40.8 mm | F1.7 | | | N/A |
| | 4.4 - 9.3 mm | N/A | | | F1.3 |
| Lens Control | | Remote Zoom and Focus, Autofocus, IR Cut Filter | | | |

| IMAGE CONTROL | |
|----------------------------|---|
| Image Compression Method | H.264, H.265, Motion JPEG, Pelco Smart Compression |
| Streaming | Multi-stream H.264, Multi-stream H.265, Motion JPEG |
| Electronic Shutter Control | Automatic, Manual (1/7.5 to 1/30000 sec) |
| Day/Night Control | Automatic, Manual |
| Flicker Control | 50 Hz, 60 Hz |
| Iris Control | P-Iris |
| White Balance | Automatic, Manual |
| Backlight Compensation | Adjustable |
| Image Rotation | 0°, 90°, 180°, 270° including Corridor Mode |
| Privacy Zones | Up to 64 zones |

| NETWORK | |
|-----------------------------|---|
| Network | 100BASE-TX |
| Cabling Type | CAT5 |
| Network | RJ45 Connector |
| ONVIF | ONVIF® compliance Profile S, Profile T, Profile G, and Profile M (www.onvif.org) |
| Security | Password protection, HTTPS encryption, digest authentication, WS authentication, user access log, 802.1x port based authentication, FIPS 140-2 L1 (with optional camera license), onboard FIPS 140-2 L3 certified TPM |
| Protocols | IPv6, IPv4, HTTP, HTTPS, SOAP, DNS, NTP, RTSP, RTCP, RTP, TCP, UDP, IGMP, ICMP, DHCP, Zeroconf, ARP, HSTS |
| Streaming Protocols | RTP/UDP, RTP/UDP multicast, RTP/RTSP/TCP, RTP/RTSP/HTTP/TCP, RTP/RTSP/HTTPS/TCP, HTTP |
| Device Management Protocols | SNMP v2c, SNMP v3 |

| PERIPHERALS | |
|-----------------|--|
| Onboard Storage | microSD/microSDHC/microSDXC slot – video speed class card required. Class V10 or better recommended. 1 TB card tested. |
| USB Port | USB 2.0 |

| AUXILIARY I/O | |
|--------------------------|---|
| Audio Compression Method | G.711 PCM 8 kHz, Opus |
| Audio Input/Output | Line level I/O |
| External I/O Terminals | Alarm In, Alarm Out |
| Microphone (Indoor Dome) | Optional Microphone accessory sold separately for Indoor Dome Camera only |

| MECHANICAL (DOME) | SURFACE MOUNT | IN-CEILING MOUNT | PENDANT MOUNT |
|------------------------|--|---|---|
| Dimensions | D 156 mm × H 116 mm; D 6.1" × H 4.6" | D 174 mm × H 165 mm; D 6.8" × H 6.5" | D 155 mm × H 169 mm; D 6.1" × H 6.7" |
| Weight | 0.81 kg | 0.80 kg | 1.07 kg |
| Max. Ceiling Thickness | N/A | 25 mm (1.0") | N/A |
| Dome Bubble | Polycarbonate | | |
| Body | Polycarbonate | | |
| Housing | Polycarbonate | | |
| Finish | Plastic, injection molded, Pantone 427C | | |
| Adjustment Range | 360° pan, 30°–95° tilt (recommended), 8°–95° tilt (maximum), ±180° azimuth | | |

| MECHANICAL (BULLET) | | 3.4-10.5 MM | 10.9-29 MM | 4.4 - 9.3 MM | 4.8-40.8 MM |
|------------------------|-------------------------------------|--|------------|--------------|--|
| Dimensions (L x W x H) | Camera with junction box | 294 mm × 126 mm × 104 mm; 11.6" × 5.0" × 4.1" | | | 312 mm × 126 mm × 104 mm; 12.3" × 5.0" × 4.1" |
| Weight | Camera | 1.31 kg | | | 1.35 kg |
| | Camera with junction box | 1.78 kg | | | 1.82 kg |
| Body | Aluminum | | | | |
| Housing | Aluminum | | | | |
| Finish | Powder coat, close to Pantone 427C | | | | |
| Adjustment Range | ±175° pan, ±90° tilt, ±175° azimuth | | | | |

ELECTRICAL

| | | |
|--------------------------|--|---|
| Power Source | PoE: IEEE 802.3af Class 3 compliant, 12VDC Aux | |
| IR Illuminator Behaviour | Dome | IR illuminator will turn off if the temperature is 60°C (140°F) or higher. The illuminator will operate at 50% power if the temperature is between 40°C (104°F) and 52 °C (117°F). Hysteresis: 2°C (3.6°F). |
| | Bullet | IR illuminator will turn off if the temperature is 60°C (140°F) or higher. |
| RTC Battery Backup | 3V manganese lithium | |
| PoE | Indoor Dome | 10 W max (8 W with no IR or IR disabled) |
| | Environmental Dome | 13 W max (8 W with no IR or IR disabled) |
| | Bullet | 13 W max |
| Memory | 1GB RAM, 512MB Flash | |

| ENVIRONMENTAL | INDOOR DOME | ENVIRONMENTAL DOME | BULLET |
|------------------------------|--|---------------------------------|---------------------------------|
| Operating Temperature | -10°C to +60°C (14°F to 140°F) | -40°C to +60°C (-40°F to 140°F) | -40°C to +60°C (-40°F to 140°F) |
| Storage Temperature | -10°C to +70°C (14°F to 158°F) | | |
| Absolute Maximum Temperature | 74°C (165°F) per NEMA TS2 (Temp.) para 2.2.7.2 - 2.2.7.7 | | |
| Humidity | 0 - 95% non-condensing | | |

| CERTIFICATIONS | INDOOR DOME | ENVIRONMENTAL DOME | BULLET |
|---------------------------|--|---|---|
| Certifications/Approvals | UL, cUL, CE, UKCA, ROHS, RCM, NOM, KC, BIS | | |
| Safety | UL/CSA/EN/IEC 62368-1, IEC 62471 | | |
| Environmental | IEC/EN 62262 Impact (IK 10), IEC 60529 IP52 rating | IEC/EN 62262 (IK 10), IEC 60529 IP66, IP67 rating, Type 4X, IEC 60068-2-1, IEC 60068-2-2, IEC 60068-2-6, IEC 60068-2-14, IEC 60068-2-27 | IEC/EN 62262 (IK 10), IEC 60529 IP66, IP67 rating, Type 4X, IEC 60068-2-1, IEC 60068-2-2, IEC 60068-2-6, IEC 60068-2-14, IEC 60068-2-27 |
| Electromagnetic Emissions | FCC Part 15 Subpart B (Class B), IC ICES-003 (Class B), EN 55032 (Class B), EN 61000-6-3, EN 61000-3-2, EN 61000-3-3 | | |
| Electromagnetic Immunity | EN 55035, EN 61000-6-1, EN 50130-4, EN 50121-4 | | |
| Warranty | 5-year warranty | | |

ANALYTICS SPECIFICATIONS

SUPPORTED ANALYTICS EVENTS

| | |
|-------------------------------|--|
| Objects in Area | The event is triggered when the selected object type moves into the region of interest. |
| Object Loitering | The event is triggered when the selected object type moves into the region of interest and then stays for an extended amount of time. |
| Objects Crossing Beam | The event is triggered when the specified number of objects have crossed the directional beam that is configured over the camera's field of view. The beam can be unidirectional or bidirectional. |
| Object Appears or Enters Area | The event is triggered by each object that enters the region of interest. This event can be used to count objects. |
| Object Not Present in Area | The event is triggered when no objects are present in the region of interest. |
| Objects Enter Area | The event is triggered when the specified number of objects have entered the region of interest. |
| Objects Leave Area | The event is triggered when the specified number of objects have left the region of interest. |
| Object Stops in Area | The event is triggered when an object moves into a region of interest and then stops moving for the specified threshold time. |
| Direction Violated | The event is triggered when an object moves in the prohibited direction of travel. |
| Tamper Detection | The event is triggered when the scene unexpectedly changes. |

SUPPORTED CLASSIFIED OBJECT TYPES

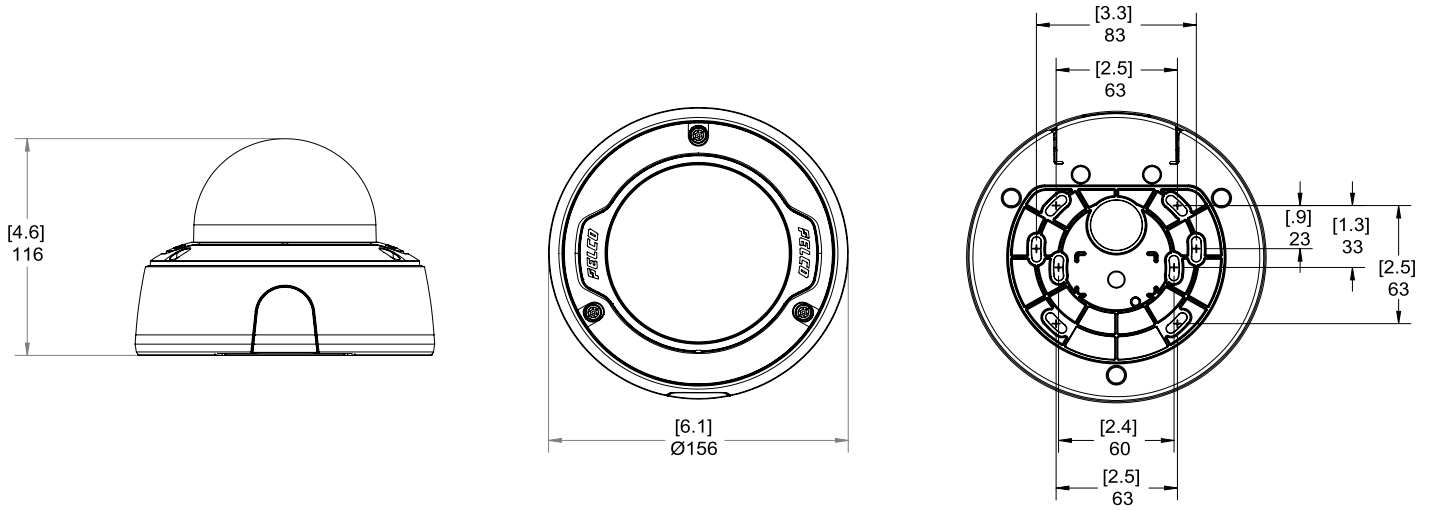
| | |
|------------------------------|--------------------|
| Object Types in Outdoor Mode | Person and Vehicle |
| Object Types in Indoor Mode | Person |

Analytics capabilities, including detection range, may vary by camera line. Please consult the Pelco Smart Analytics Design Guide for details specific to the Sarix Professional 4 Series.

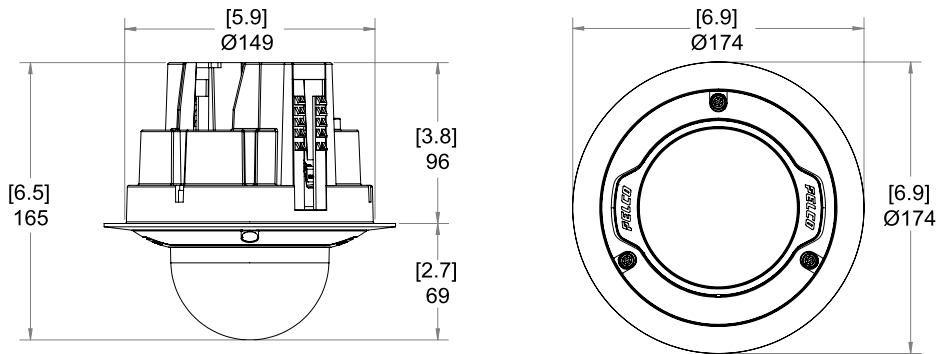
OUTLINE DIMENSIONS

DOME CAMERA WITH SURFACE MOUNT (SRXP4 DOME CAMERA + PROVIDED SURFACE MOUNT)

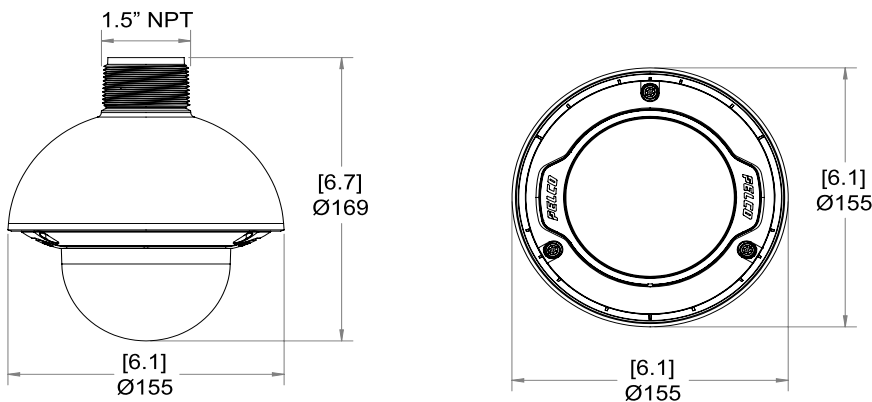
| [X.X] | INCHES |
|-------|--------|
| X | MM |



DOME CAMERA WITH IN-CEILING MOUNT (SRXP4 DOME CAMERA + SLSPCIL-1001)

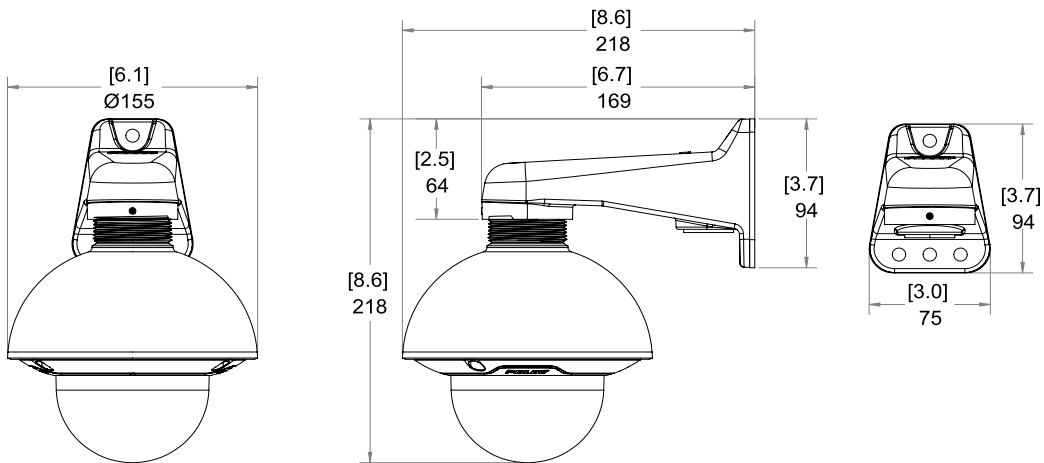


DOME CAMERA WITH NPT ADAPTER (SRXP4 DOME CAMERA + SRXP4-PM-1E)



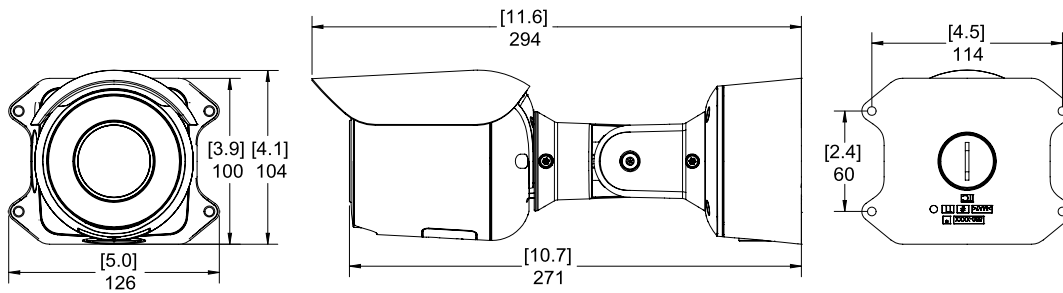
DOMED CAMERA WITH NPT ADAPTER AND PENDANT WALL MOUNT

(SRXP4 DOME CAMERA + SRXP4-PM-1E + WMVE-AW)

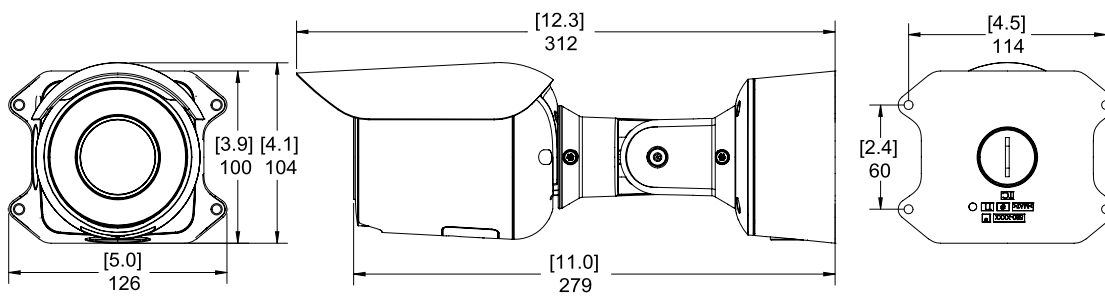


BULLET CAMERA

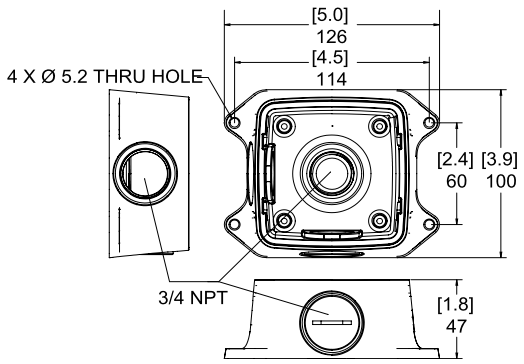
(3.4-10.5 MM & 10.9-29 MM)



(4.8-40.8 MM)



BULLET JUNCTION BOX (PROVIDED WITH CAMERA)



ORDERING INFORMATION

BULLET CAMERA

| MODEL NUMBER | MP | WDR | ANALYTICS | LENS | IR | IP66/IP67, TYPE4X | SMART COMPRESSION | SUREVISION TECHNOLOGY |
|-------------------|-----|-----|-----------|-------------|----|-------------------|-------------------|-----------------------|
| SRXP4-2V10-EBT-IR | 2.0 | ✓ | ✓ | 3.4-10.5 mm | ✓ | ✓ | ✓ | ✓ |
| SRXP4-3V10-EBT-IR | 3.0 | ✓ | ✓ | 3.4-10.5 mm | ✓ | ✓ | ✓ | ✓ |
| SRXP4-3V29-EBT-IR | 3.0 | ✓ | ✓ | 10.9-29 mm | ✓ | ✓ | ✓ | ✓ |
| SRXP4-3V40-EBT-IR | 3.0 | ✓ | ✓ | 4.8-40.8 mm | ✓ | ✓ | ✓ | ✓ |
| SRXP4-5V10-EBT-IR | 5.0 | ✓ | ✓ | 3.4-10.5 mm | ✓ | ✓ | ✓ | ✓ |
| SRXP4-5V29-EBT-IR | 5.0 | ✓ | ✓ | 10.9-29 mm | ✓ | ✓ | ✓ | ✓ |
| SRXP4-5V40-EBT-IR | 5.0 | ✓ | ✓ | 4.8-40.8 mm | ✓ | ✓ | ✓ | ✓ |
| SRXP4-8V9-EBT-IR | 8.0 | ✓ | ✓ | 4.4-9.3 mm | ✓ | ✓ | ✓ | ✓ |

DOME CAMERA

| MODEL NUMBER | MP | WDR | ANALYTICS | LENS | IR | IP66/IP67, TYPE4X | SMART COMPRESSION | SUREVISION TECHNOLOGY |
|-------------------|-----|-----|-----------|-------------|----|-------------------|-------------------|-----------------------|
| SRXP4-2V10-IMD | 2.0 | ✓ | ✓ | 3.4-10.5 mm | | | ✓ | ✓ |
| SRXP4-2V10-IMD-IR | 2.0 | ✓ | ✓ | 3.4-10.5 mm | ✓ | | ✓ | ✓ |
| SRXP4-2V10-EMD | 2.0 | ✓ | ✓ | 3.4-10.5 mm | | ✓ | ✓ | ✓ |
| SRXP4-2V10-EMD-IR | 2.0 | ✓ | ✓ | 3.4-10.5 mm | ✓ | ✓ | ✓ | ✓ |
| SRXP4-3V10-IMD | 3.0 | ✓ | ✓ | 3.4-10.5 mm | | | ✓ | ✓ |
| SRXP4-3V10-IMD-IR | 3.0 | ✓ | ✓ | 3.4-10.5 mm | ✓ | | ✓ | ✓ |
| SRXP4-3V10-EMD | 3.0 | ✓ | ✓ | 3.4-10.5 mm | | ✓ | ✓ | ✓ |
| SRXP4-3V10-EMD-IR | 3.0 | ✓ | ✓ | 3.4-10.5 mm | ✓ | ✓ | ✓ | ✓ |
| SRXP4-5V10-IMD | 5.0 | ✓ | ✓ | 3.4-10.5 mm | | | ✓ | ✓ |
| SRXP4-5V10-IMD-IR | 5.0 | ✓ | ✓ | 3.4-10.5 mm | ✓ | | ✓ | ✓ |
| SRXP4-5V10-EMD | 5.0 | ✓ | ✓ | 3.4-10.5 mm | | ✓ | ✓ | ✓ |
| SRXP4-5V10-EMD-IR | 5.0 | ✓ | ✓ | 3.4-10.5 mm | ✓ | ✓ | ✓ | ✓ |
| SRXP4-8V9-EMD-IR | 8.0 | ✓ | ✓ | 4.4-9.3 mm | ✓ | ✓ | ✓ | ✓ |

ACCESSORIES

| PART NUMBER | DESCRIPTION |
|-----------------|--|
| WMVE-AW | Wall Mount Arm for 1.5" NPT Pendant |
| PA101-AW | Pole Mount Adapter for WMVE-AW |
| IMM-CMAW | Corner Mount for WMVE-AW |
| USB-AC56-NA-MSI | USB WiFi Adapter Install Kit (North America) |
| USB-AC56-EU-MSI | USB WiFi Adapter Install Kit (Europe) |
| SLSPCIL-1001 | In-ceiling mounting adapter for Sarix Pro 4 Dome Camera |
| SRXP4-PM-1E | Pendant NPT adapter for Sarix Pro 4 Dome Camera |
| DCLPNL-1001 | Metal ceiling panel for suspended ceiling installations |
| SRXP4-DMSLD | Weathershield for Sarix Pro 4 Dome Camera |
| ACMICR-1001 | Microphone accessory for Indoor Sarix Pro 4 Dome Camera |
| SRXP4-LD-1E | Clear lower dome for Sarix Pro 4 Environmental Dome Camera |

| PART NUMBER | DESCRIPTION |
|-------------|--|
| SRXP4-LD-0E | Smoked lower dome for Sarix Pro 4 Environmental Dome Camera |
| SRXP4-LD-1I | Clear lower dome for Sarix Pro 4 Indoor Dome Camera |
| SRXP4-LD-0I | Smoked lower dome for Sarix Pro 4 Indoor Dome Camera |
| CNCVR-1001 | Adapter 3/4 inch conduit for Sarix Pro 4 Dome Camera, 5-pack |
| CAM-FIPS | Camera license to enable FIPS Level 1 cryptographic mode |
| CRNMT-1001 | Corner Mount for Sarix Pro 4 Bullet Camera |
| PLMT-1001 | Pole Mount for Sarix Pro 4 Bullet Camera |

SUPPORT

Learn more and find additional documentation at pelco.com or email support@pelco.com for specific product support.



Aug 2023 | C5063S | Rev 7

© 2023, Motorola Solutions, Inc. All rights reserved. MOTOROLA, MOTO, MOTOROLA SOLUTIONS, and the Stylized M Logo are trademarks or registered trademarks of Motorola Trademark Holdings, LLC and are used under license. Pelco, the Pelco logo, and other trademarks associated with Pelco products referred to in this publication are trademarks of Pelco, Inc. or its affiliates. All other product names and services are the property of their respective companies. Product specifications and availability are subject to change without notice.