

SBP-180HMW1

Hanging Adaptor



Key Features

- Core : Aluminum / Cap : Plastic, White
- Mount screw size : TR20

SBP-180HMW1

Hanging Adaptor



Specifications

| Mechanical | |
|-----------------------------|-----------------------------------------------------------------------------------------------------|
| Color | White |
| Material | Core : Aluminum / Cap : Plastic |
| RAL code | RAL9003 |
| Product dimensions / weight | Φ195x67mm(Φ7.68x2.64"), 340g(0.75lb) |
| Mount Screw size | TR20 |
| Supported products | XNV-6083R/8083R/8093R/9083R, XNV-6083RZ/8083RZ/9083RZ, XNV-6123R, PNV-A6081R/9081R, XNV-8082R/9082R |

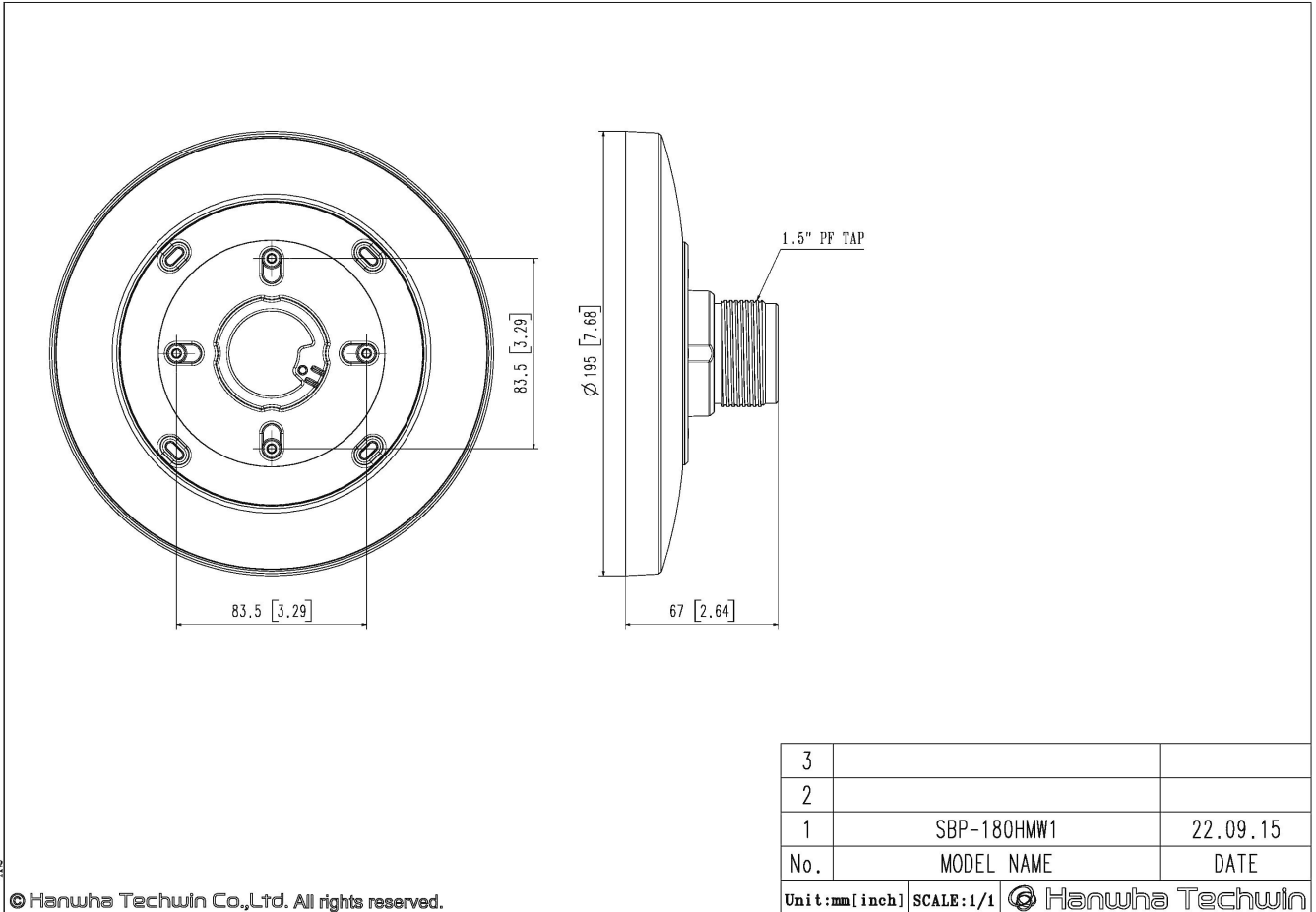
SBP-180HMW1

Hanging Adaptor



CAD

Unit:mm [inch]



A2

© Hanwha Techwin Co.,Ltd. All rights reserved.