

Ora

Designed for curved, perfect for flat



reddot winner 2024

atdec.com

ATDEC Infinite Mounting Possibilities

Ora

Mount & clamp for workspaces

Ora's design fuses deep and extensive domain experience with innovative materials and techniques. Blending Atdec's proven record with modern possibilities, Ora delivers superior esthetics and performance in its class.

Ora is the only monitor arm you need for most workspace projects.



Elegant & ergonomic monitor mount complete with clamp in a single box for fast installation.





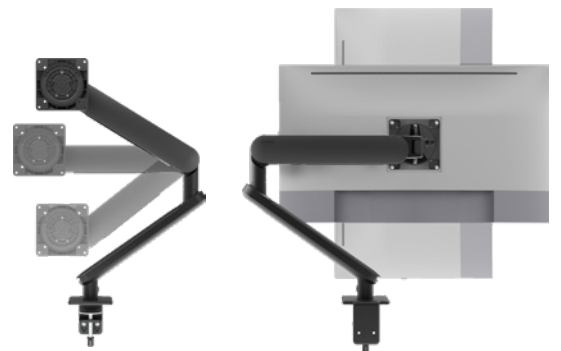
“

Design must reflect the practical and esthetic ... but above all, good design must primarily serve people.

Thomas J. Watson, technologist & visionary

Ora

- Suits 85% of monitors sold*
One mount for most workspace needs
- Fast & easy to install
Special features for mass installations
- Ergonomic & comfortable
Fingertip adjustment in all dimensions
- Elegant & high quality
Stable, small footprint, long lifecycle
- Complete mount solution
Arm, clamp, & setup tool in one box



Adjustable with a fingertip, Ora is the best-in-class standard for most workspace projects

Ora is a suitable mount for 85% of monitors sold globally in the past 12 months, February 2023. Statcounter & IDC.

Ora

High performance & ergonomic

Ora packages best-in-class performance with the smoothest functionality, delivering ergonomic excellence in a low-footprint body that complements contemporary workspaces.



Display specs
4.4-17.6lb (2-8kg)
to 35" (curved or flat)

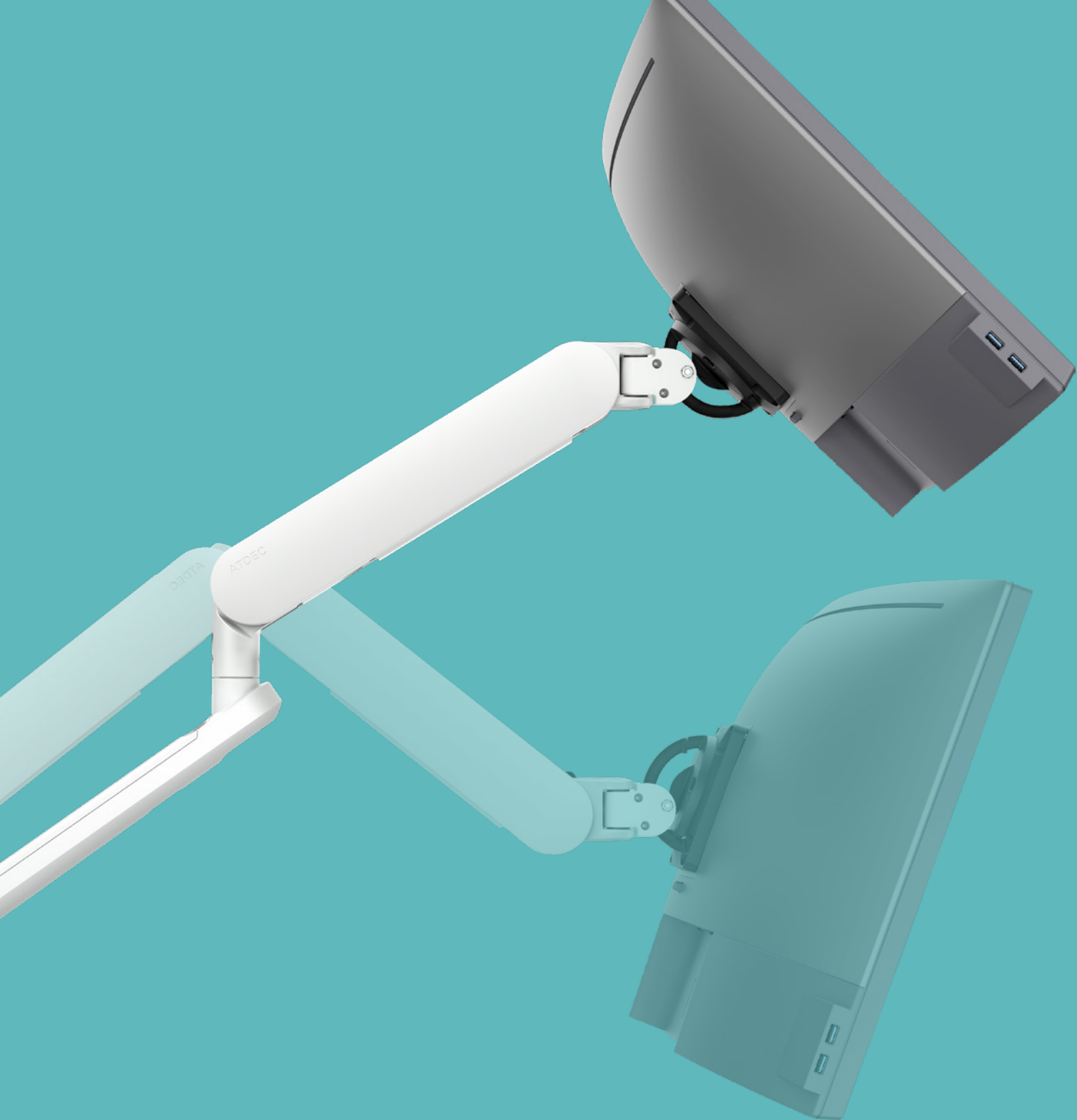
Head adjustments
Tilt -20° to +45°
Pan 180°

Rotation limitation
180° or 360°

VESA
75x75 or 100x100

Finish options
Black, silver, white

Tools
Hex key included
Screwdriver required



INSTALLER OPTIMIZED

Ora's design incorporates five elements that speed installation & setup, especially beneficial when deploying at scale. A professional installer was clocked at 1-minute install.



CONFIDENT PERFORMANCE

Extensively tested across hundreds of units & millions of cycles, Atdec confidently offers a 10 year warranty to reinforce our proven record of quality and performance.



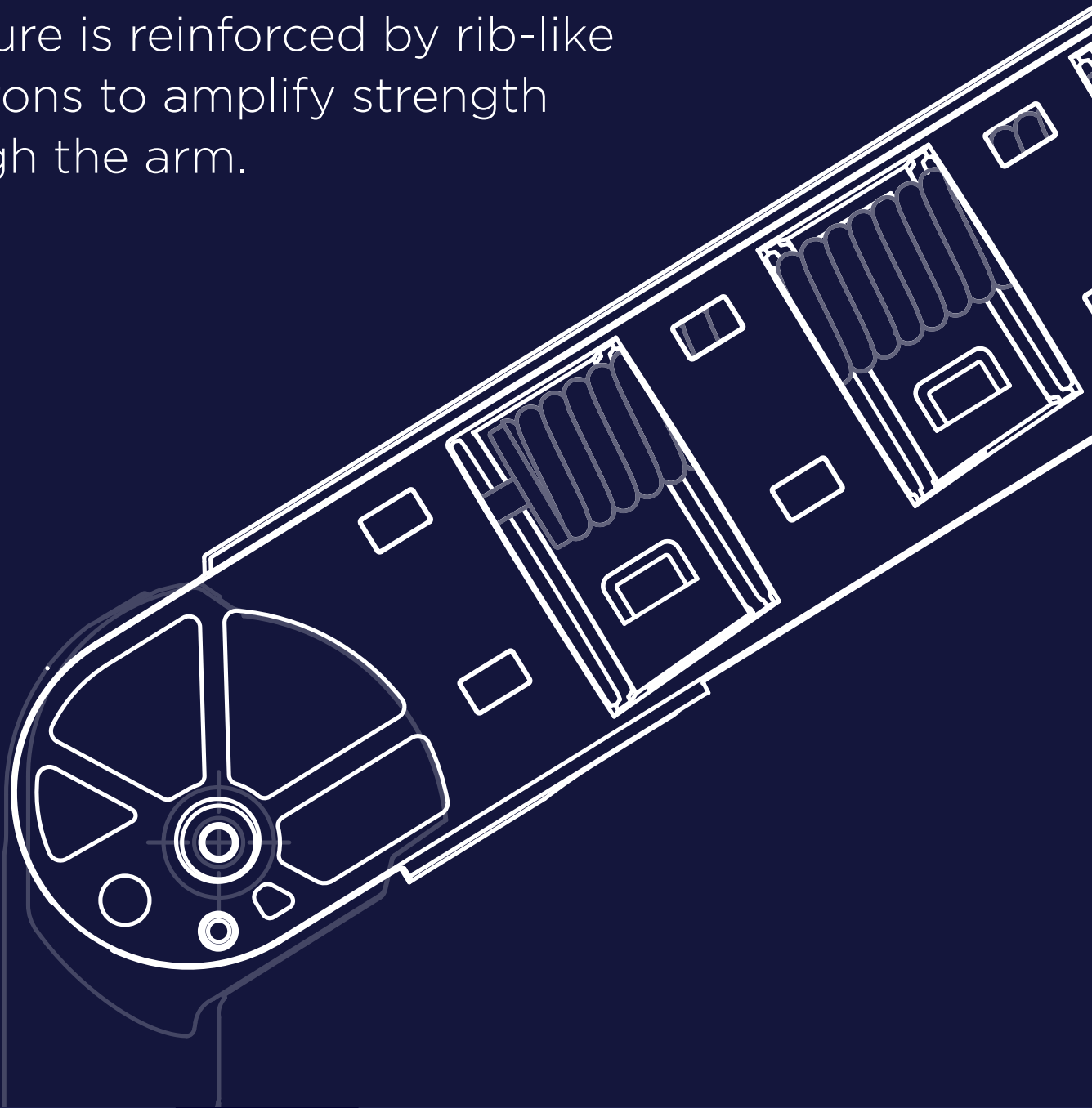
SUSTAINABLE

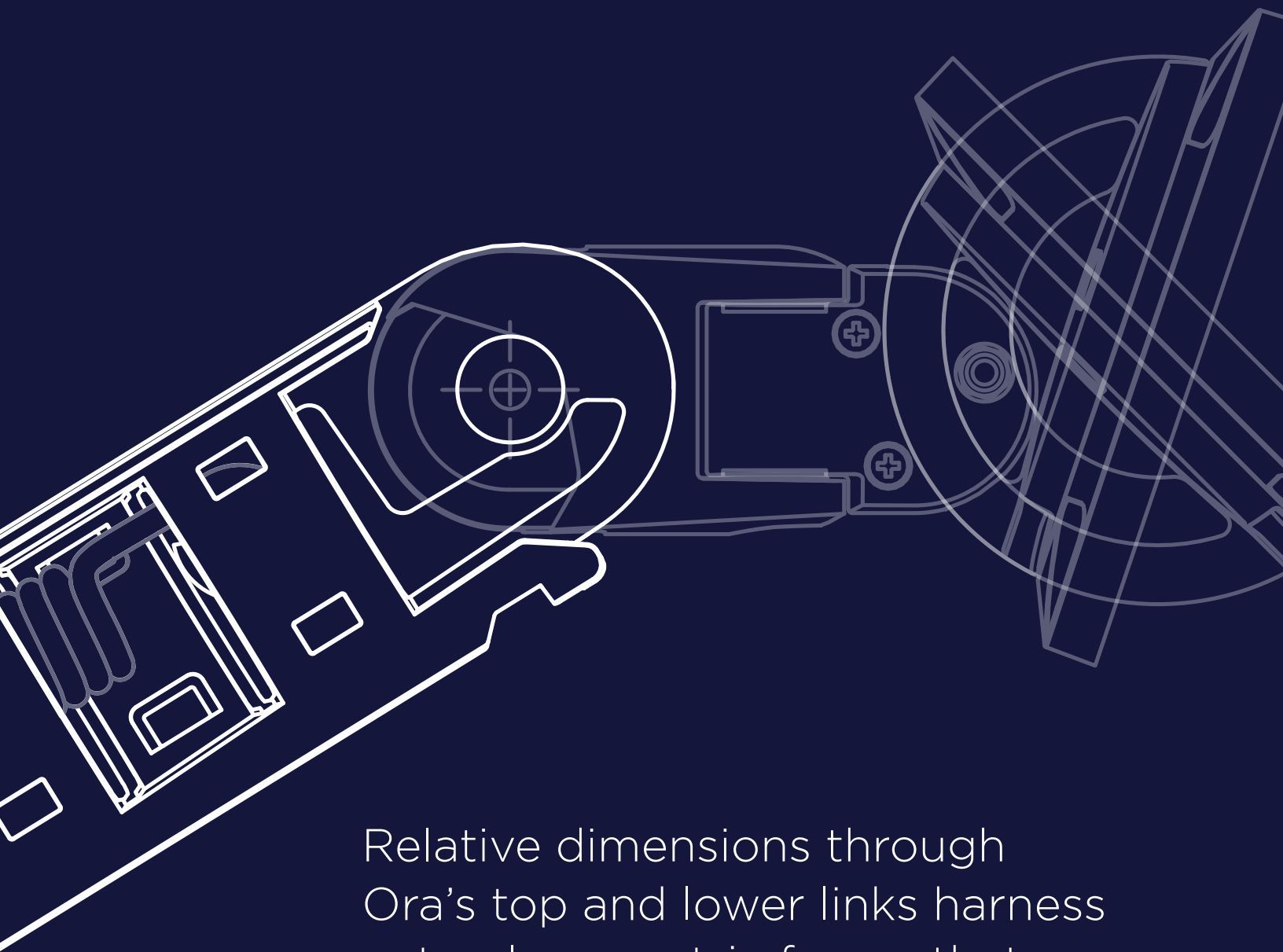
Ora is sustainable in each dimension, from manufacture to disposal. Following a long service life & outlasting monitor upgrades, Ora breaks down into recyclable components to minimize environmental impact.

Stability + Strength

By design

Ora's design centers on a unique single-piece monocoque architecture with a box pattern cross section. The compressive structure is reinforced by rib-like longerons to amplify strength through the arm.





Relative dimensions through Ora's top and lower links harness natural geometric forces that minimize vibration and provide an unparalleled stability to the user. Ora's strength and balance translate into smooth effortless fingertip adjustments and the best performance in its class.

Installer optimized



Fast desk connect with single point
thumb knob & slotted F-connection

One-point dynamic
arm assembly

Tension balance may
be adjusted without
removing screens

Contemporary minimal
esthetic suitable for all
office styles



Visual tension indicator for multiple setups & projects

Drop-on quick connect VESA head & hands-free click-release lock

Easy access & generous cable management

360° or 180° rotation limiter switch

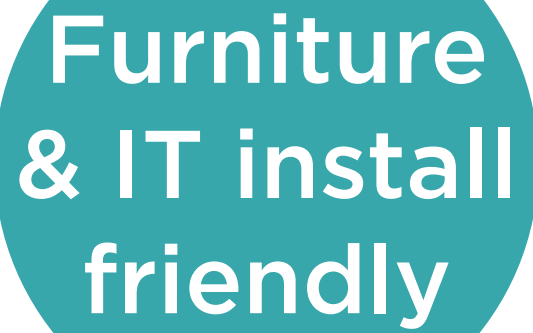
Complete in one box for fast access & reduced wastage



Limiters switch

One-flip 360° or 180° lock

Activate Ora's built-in rotation limiter with this always-accessible switch. No disassembly or reconfiguration, no time wasted.



Furniture
& IT install
friendly

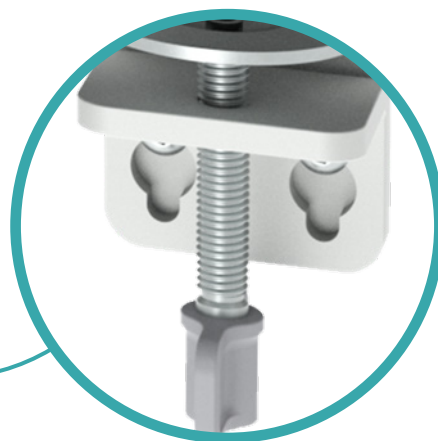


UNIVERSAL WORKSPACE MONITOR ARM

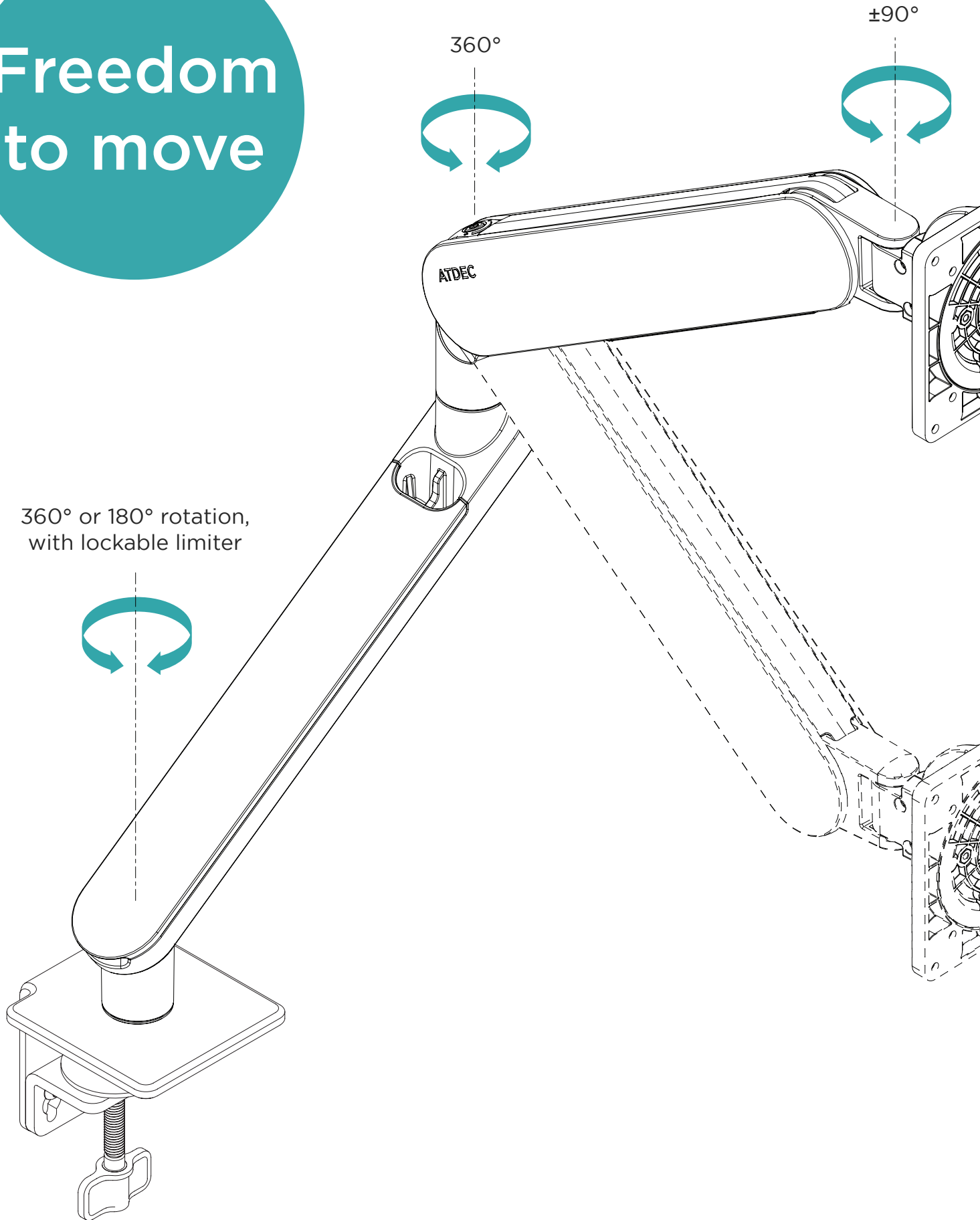
Slotted connection

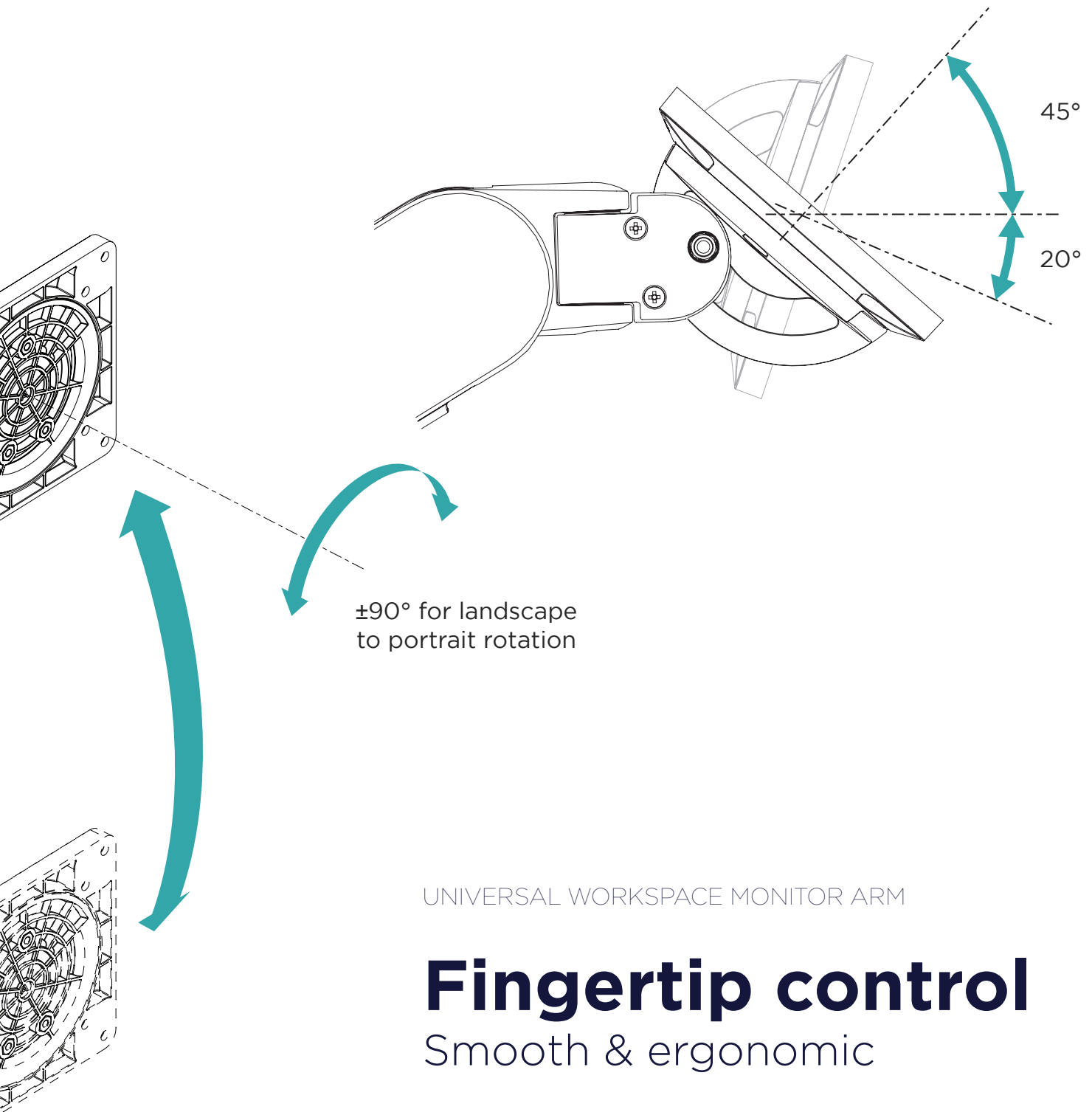
Save time under the desk

Pre-assemble the most time consuming part of clamp installation to save time & hassle. Particularly beneficial for tight desk setups.



Freedom to move





UNIVERSAL WORKSPACE MONITOR ARM

Fingertip control

Smooth & ergonomic

Every joint offers freedom to move, activated with the touch of a finger. Ora comes standard with a rotation limiter and lock.



Cables are almost completely hidden within Ora. Generous provision is made through the upper link's internal cable bay and the lower link's easily accessed cable berth. The berth is also used to store the hex key provided.



Hidden cables





DUAL+



Dual monitors and beyond

Ora is a high performance universal monitor arm for single and dual displays. The majority of monitors sold worldwide are suitable to mount with Ora; however all dual clamps limit possible monitor size to 24" or 27" while Ora handles monitors to 35". Other factors - price and installation efficiency - are balanced with flexibility in deciding to use a dual clamp.

Ora's innovative design and production have offset those factors, enabling us to recommend two single Ora for all dual setups we've consulted on to date. Ora has a dual clamp available for projects that suit.



Ora with dual clamp, available for projects

Atdec Workspace Modular possibilities

Atdec's workspace range beyond Ora is modular, to answer any possible set of monitors and configuration. Use Ora confidently, knowing that an esthetically harmonious high performance solution is available for setups that need a little extra attention.





A complete mounting solution

Ora supports most monitors, however there are some displays and configurations that need more. Our modular range enables infinite mounting possibilities, for all needs.

Ora sits within a set of esthetically and ergonomically harmonious mounts, to support all displays and setups including ultrawides, all-in-one devices, and 3+ monitor configurations.

Consult with our ergonomic specialists for your ideal solution.

