

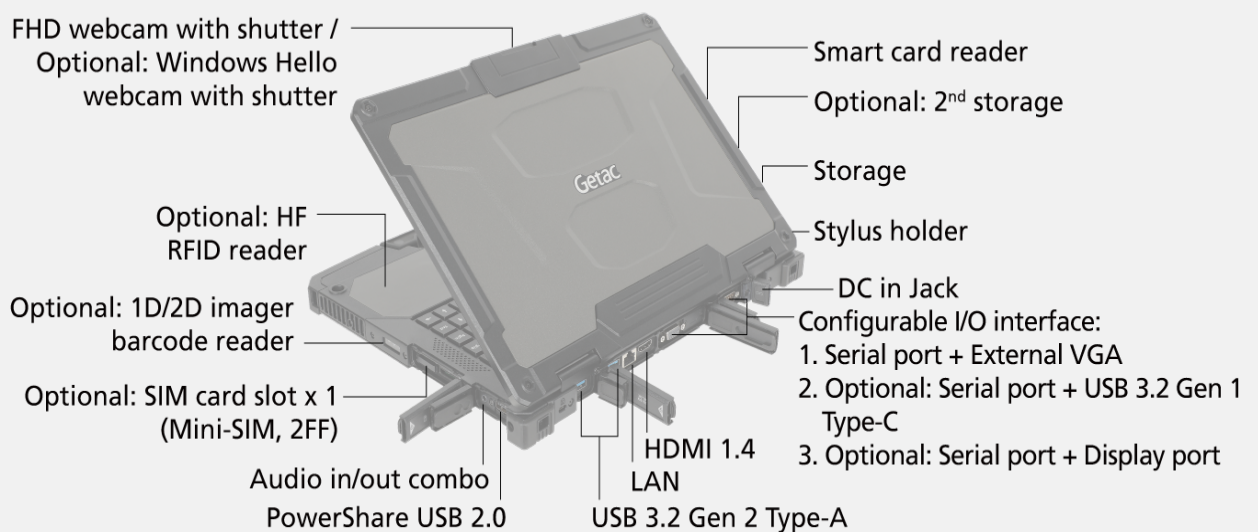
## B360 FULLY RUGGED NOTEBOOK



- MIL-STD 810H, 6ft operating drop rating, IP66 certified, and optional salt fog resistant
- 10th Generation Intel® Core™ Processor
- 13.3" FHD LumiBond® display with Getac sunlight readable technology (1,400 nits) and capacitive touchscreen
- Enhanced enterprise security with optional dual user replaceable storage, Windows Hello face-authentication camera, integrated 1D/2D imager barcode reader and multi-factor authentication options
- LifeSupport™ battery swappable technology



B360 3D demo



# SPECIFICATIONS

## Operating System

Windows 10 Pro<sup>xv</sup>  
Windows 11 Pro

## Mobile Computing Platform

Intel® Core™ i5-10210U Processor 1.6GHz  
Max. 4.2GHz with Intel® Turbo Boost Technology  
- 6MB Intel® Smart Cache

## Platform options:

Intel® Core™ i5-10310U vPro™ Processor 1.7GHz  
Max. 4.4GHz with Intel® Turbo Boost Technology  
- 6MB Intel® Smart Cache

Intel® Core™ i7-10510U Processor 1.8GHz  
Max. 4.9GHz with Intel® Turbo Boost Technology  
- 8MB Intel® Smart Cache

Intel® Core™ i7-10610U vPro™ Processor 1.8GHz  
Max. 4.9GHz with Intel® Turbo Boost Technology  
- 8MB Intel® Smart Cache

Intel® Core™ i7-10710U Processor 1.1GHz  
Max. 4.7GHz with Intel® Turbo Boost Technology  
12MB Intel® Smart Cache

## VGA Controller

Intel® UHD Graphics

## Display

13.3" IPS TFT LCD FHD (1920 x 1080)  
Protection film  
1,400 nits LumiBond® display with Getac sunlight readable technology  
Capacitive multi-touch screen

## Storage & Memory

8GB DDR4  
Optional: 16GB / 32GB / 64GB DDR4  
256GB PCIe NVMe SSD  
Optional: 512GB / 1TB PCIe NVMe SSD  
Optional 2<sup>nd</sup> storage<sup>i</sup>: 256GB / 512GB / 1TB SATA SSD

## Keyboard

LED backlit membrane keyboard  
Optional: LED backlit rubber keyboard

## Pointing Device

Touchscreen  
- Capacitive multi-touch screen  
Touchpad  
- Touchpad with two buttons

## Expansion Slots

Smart card reader x 1  
Optional: 1D / 2D imager barcode reader

## I/O Interface

FHD webcam x 1  
Audio in/out combo x 1  
DC in Jack x 1  
PowerShare USB 2.0 x 1  
USB 3.2 Gen 2 Type-A x 2  
LAN (RJ45) x 1  
HDMI 1.4 x 1  
Docking connector x 1  
Optional: SIM card slot x 1 (Mini-SIM, 2FF)  
Optional: Windows Hello face-authentication camera (front-facing) x 1  
Optional: RF antenna pass-through for GPS, WWAN and WLAN  
Configurable I/O options<sup>ii</sup>:  
1. Serial port (9-pin; D-sub) x 1 + External VGA (15-pin; D-sub) x 1  
2. Serial port (9-pin; D-sub) x 1 + USB 3.2 Gen 2 Type-C x 1  
3. Serial port (9-pin; D-sub) x 1 + Display port x 1  
4. Serial port (9-pin; D-sub) x 1 + External VGA (15-pin; D-sub) x 1 + 2nd LAN (RJ45) x 1  
5. Serial port (9-pin; D-sub) x 1 + Display Port x 1 + 2nd LAN (RJ45) x 1

## Communication Interface

10 / 100 / 1000 base-T Ethernet  
Intel® Wi-Fi 6 AX200, 802.11ax  
Bluetooth (v5.2)<sup>iii</sup>  
Optional: Dedicated GPS<sup>iv</sup>  
Optional: 4G LTE mobile broadband with integrated GPS<sup>iv,v</sup>

## Security Features

TPM 2.0  
Kensington lock  
Optional: Fingerprint reader<sup>xi</sup>  
Optional: HF RFID reader<sup>vi, xi</sup>  
Smart card reader

## Power

AC adapter (90W, 100-240VAC, 50/60Hz)  
Li-ion battery (11.1V, typical 2100mAh; min. 2040mAh) x 2  
LifeSupport™ battery swappable technology

## Dimension (W x D x H) & Weight

342 x 281 x 34.9 mm (13.46" x 11.06" x 1.37")  
2.32kg (5.11lbs)<sup>vii</sup>

## Rugged Feature

MIL-STD-810H certified  
IP66 certified  
MIL-STD-461G certified<sup>viii</sup>  
Vibration & 6ft (1.8m) drop resistant  
Optional: ANSI/UL 121201, CSA C22.2 NO. 213 (Class I, Division 2, Groups A, B, C, D)<sup>xiv</sup>  
Optional: Salt fog certified

## Environmental Specification

Temperature<sup>ix</sup>:  
- Operating: -29°C to 63°C / -20°F to 145°F  
- Storage: -51°C to 71°C / -60°F to 160°F  
Humidity:  
- 95% RH, non-condensing

## Pre-installed software

Getac Utility  
Getac Geolocation  
Getac Barcode Manager<sup>ix</sup>  
Optional: Absolute Persistence®

# B360 FULLY RUGGED NOTEBOOK

## Optional software

Getac Driving Safety Utility  
Getac Device Monitoring System (GDMS)  
Getac VGPS Utility<sup>xii</sup>

## Accessories

Battery (11.1V, typical 2100mAh; min. 2040mAh)  
AC adapter (90W, 100-240VAC)  
Capacitive stylus with tether

## Optional:

Carry bag  
Battery (11.1V, typical 2100mAh; min. 2040mAh)  
Multi-Bay charger (Dual-Bay)  
Multi-Bay charger (Eight-Bay)  
AC adapter (90W, 100-240VAC)  
Office dock AC adapter (120W, 100-240VAC)  
MIL-STD-461 AC adapter (90W, 100-240VAC)  
DC-DC vehicle adapter (120W, 11-32VDC)  
Capacitive stylus with tether  
Protection film<sup>xiii</sup>  
Vehicle cradle<sup>xiii</sup>  
Vehicle dock<sup>xiii</sup>  
Office dock  
Spare SSD kit  
100W Type-C adapter

## Bumper-to-Bumper warranty

Accidents can take your equipment out of service when you least expect it, especially in a rugged environment, which can cause costly equipment downtime. That is why Getac has introduced accidental damage as standard under our Bumper-to-Bumper warranty, to help minimize your enterprise IT costs. Bumper-to-Bumper is your hassle-free guarantee. That means you can depend on us to have your unit back in service within days.

## Standard

3 years Bumper-to-Bumper

- i. Second storage is optional and will be fitted with a removable cover when not chosen at point of purchase.
- ii. External VGA, USB 3.2 Gen 1 Type-C port and Display port are mutually exclusive.
- iii. Bluetooth performance and connectable distance may be subject to interference with the environments and performance on client devices, users may be able to reduce effects of interference by minimizing the number of active Bluetooth wireless devices that is operating in the area.
- iv. Dedicated GPS is mutually exclusive with 4G LTE mobile broadband.
- v. Units with 4G LTE option comes with an embedded SIM card slot.
- vi. HF (13.56MHz) combo HF RFID/NFC reader (iClass, HID Prox, ISO 15693, 14443 A/B, Mifare, and Felica™ compliant).
- vii. Weight and dimensions vary from configurations and optional accessories.
- viii. MIL-STD-461 90W AC adapter sold separately.
- ix. Tested by an independent third-party test lab following MIL-STD-810H.
- x. Available when barcode reader option is selected.
- xi. Fingerprint reader and HF RFID reader are mutually exclusive.
- xii. Models require either embedded or standalone GPS module.
- xiii. Gamber Johnson and Havis vehicle docks are e-mark certified.
- xiv. Available with limited configurations and environment conditions.
- xv. From 14th October 2025, Windows 10 Pro is going to End of Service. Windows 10 Pro will not be upgradable to Windows 11 Pro and will no longer be eligible to receive Microsoft security updates.

Information provided herewith is for reference only, available specification shall be subjected to quotation by request.

	Vehicle Dock	Office Dock
Serial Port	2	2
External VGA	1	1
Microphone	1	1
Audio Output	1	1
DC in Jack	1	1
USB	6	5
LAN	2	2
HDMI 1.3	1	1
RF Antenna Connector	3 (GPS, WWAN, WLAN)	-

# Getac



GETAC TECHNOLOGY CORPORATION

5F, Building A, No. 209, Section 1,  
Nangang Rd., Nangang Dist., Taipei City,  
115018, Taiwan, R.O.C. Tel : +886 2 2785  
7888 globalmarketing@getac.com |  
www.getac.com Copyright © 2022 Getac  
Technology Corporation and/or any of its affiliates.  
All Rights Reserved. Information provided herewith  
is for reference only, available specification shall be  
subjected to quotation by request.