



## XNV-8080RSA

5MP Network Stainless IR Dome Camera

### Benefits

- Ideal for Marine, Mining, Oil & Gas, Food Processing, Medical & Hospitals, clean rooms and other highly corrosive environments
- Provides long term value by preventing rapid deterioration and premature replacement while keeping modern aesthetic appearance
- Withstands temperatures up to 55°C to far below freezing down to -40°C
- True WDR for clearer, sharper images in low light environments
- Outstanding image quality in foggy weather with Fog Detection and Defog functions
- Enhanced Video/Audio Analytics

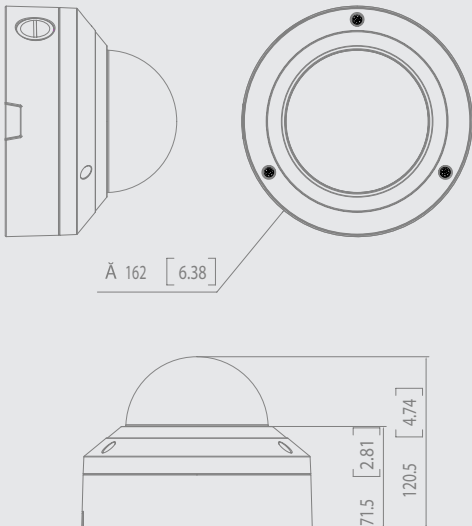
XNV-8080RSA	
<b>VIDEO</b>	
Imaging Device	1/1.8"CMOS
Min. Illumination	Colour: 0.07Lux(F1.3, 1/30sec) BW: 0Lux(IR LED on)
Video Out	CVBS: 1.0 Vp-p / 75Ω composite, 720x480(N), 720x576(P) for installation USB: Micro USB Type B, 1280x720 for installation
<b>LENS</b>	
Focal Length (Zoom Ratio)	3.9~9.4mm(2.4x) motorized varifocal
Max. Aperture Ratio	F1.3(Wide) ~ F2.4(Tele)
Angular Field of View	H: 92.1°(Wide)~38.7°(Tele) / V: 67.2°(Wide)~29.0°(Tele) / D: 119.9°(Wide)~48.6°(Tele)
Min. Object Distance	0.5m(1.64ft)
Focus Control	Simple focus
Lens Type	DC Auto Iris, P iris
<b>PAN / TILT / ROTATE</b>	
Pan / Tilt / Rotate Range	0°~354° / 0°~67° / 0°~355°
<b>OPERATIONAL</b>	
IR Viewable Length	50m(164.04ft)
Camera Title	Displayed up to 85 characters
Day & Night	Auto(ICR)
Backlight Compensation	BLC, HLC, WDR
Wide Dynamic Range	120dB
Contrast Enhancement	SSDR
Digital Noise Reduction	SSNRV
Digital Image Stabilization	Support
Defog	Support
Motion Detection	8ea, 8point Polygonal zones
Privacy Masking	32ea, polygonal zones - Colour : Gray, Green, Red, Blue, Black, White - Mosaic
Gain Control	Low / Middle / High
White Balance	ATW / AWC / Manual / Indoor / Outdoor
LDC	Support
Electronic Shutter Speed	Minimum / Maximum / Anti flicker (2~1/12,000sec)
Video Rotation	Flip, Mirror, Hallway view(90°/270°)
Analytics	Defocus detection, Directional detection, Fog detection, Face detection, Motion detection, Digital auto tracking, Appear/Disappear, Enter/Exit, Loitering, Tampering, Virtual line, Audio detection, Sound classification
Alarm I/O	Input 1ea / Output 1ea
Alarm Triggers	Analytics, Network disconnect, Alarm input
Alarm Events	File upload via FTP and e-mail Notification via e-mail SD/SDHC/SDXC or NAS recording at event triggers Alarm output Handover
Audio In	Selectable(mic in/line in) Supply voltage: 2.5VDC(4mA), Input impedance: 2K Ohm
Audio Out	Line out, Max.output level: 1Vrms

## Key Features

- Max. 5Megapixel (2560x1920) resolution
- 3.9 ~ 9.4mm (2.4x) motorized varifocal lens
- Max. 60fps@all resolutions (H.265 / H.264)
- H.265, H.264, MJPEG codec supported, Multiple streaming
- Day & Night (ICR), WDR (120dB), Defog
- Loitering, Directional detection, Tampering, Audio detection, Digital auto tracking, Fog detection, Sound classification
- Motion detection, Handover
- SD/SDHC/SDXC memory 2slots (Max. 512GB)
- Hallway view, WiseStream II support
- IR viewable length 50m
- IP66, IP6K9K, IK10+, NEMA4X
- LDC, PoE support

## Dimensions

Unit:mm(inch)



## XNV-8080RSA

NETWORK	
Ethernet	RJ-45(10/100BASE-T)
Video Compression	H.265/H.264: Main/Baseline/High, MJPEG
Resolution	2560x1920, 2560x1440, 1920x1080, 1600x1200, 1280x1024, 1280x960, 1280x720, 1024x768, 800x600, 800x448, 720x576, 720x480, 640x480, 640x360, 320x240
Max. Framerate	H.265/H.264: Max. 60fps/50fps(60Hz/50Hz) MJPEG: Max. 60fps/50fps(60Hz/50Hz)
Smart Codec	Manual(5ea area), WiseStreamII
Bitrate Control	H.264/H.265: CBR or VBR MJPEG: VBR
Streaming	Unicast(20 users) / Multicast Multiple streaming(Up to 10 profiles)
Audio Compression	G.711 u-law /G.726 Selectable G.726(ADPCM) 8KHz, G.711 8KHz G.726: 16Kbps, 24Kbps, 32Kbps, 40Kbps AAC-LC: 48Kbps at 16KHz
Protocol	IPv4, IPv6, TCP/IP, UDP/IP, RTP(UDP), RTP(TCP), RTCP, RTSP, NTP, HTTP, HTTPS, SSL/TLS, DHCP, FTP, SMTP, ICMP, IGMP, SNMPv1/v2c/v3(MIB-2), ARP, DNS, DDNS, QoS, PIM-SM, UPnP, Bonjour
Security	HTTPS(SSL) Login Authentication Digest Login Authentication IP Address Filtering User access Log 802.1X Authentication(EAP-TLS, EAP-LEAP)
Edge Storage	Micro SD/SDHC/SDXC 2slot 512GB
Application Programming Interface	ONVIF Profile S/G/T SUNAPI(HTTP API) Wisenet open platform
Web Viewer	Supported OS: Windows 8.1 or later, Mac OS X 10.13 or later Recommended Browser: Google Chrome Supported Browser: MS Explore11, MS Edge, Mozilla Firefox(Window 64bit only), Apple Safari(Mac OS X only)
Memory	1024MB RAM, 512MB Flash
ENVIRONMENTAL	
Operating Temperature / Humidity	-40°C ~ +55°C (-40°F ~ +131°F) / Less than 90% RH
Storage Temperature / Humidity	-50°C ~ +60°C(-58°F ~ +140°F) / Less than 90% RH
Certification	IP66, IP6K9K, IK10+, NEMA4X
ELECTRICAL	
Input Voltage	PoE(IEEE802.3af), 12VDC, 24VAC
Power Consumption	PoE: Max 12.95W 12VDC: Max 11.5W 24VAC: Max 14W
MECHANICAL	
Colour / Material	Silver / Stainless(SUS316L)
Product dimensions / weight	Ø162x120.5mm(Ø6.38x4.74") / 2.8kg(6.17lb)

\* The latest product information / specification can be found at [hanwha-security.com](http://hanwha-security.com)

\* Design and specifications are subject to change without notice.

\* Wisenet is the proprietary brand of Hanwha Techwin.