

# CM8100-10G High Density Console Manager

with Smart Out-of-Band Management



- 48 or 96 port serial console manager with Smart OOB™
- Ideal replacement for legacy terminal servers
- Enables Data Center automation with Python and Docker support
- Embedded physical security using TPM 2.0 module
- Dual power supplies with independent monitoring
- Integrated environmental temperature monitoring



Console Specifications	CM8148-10G	CM8196-10G
Serial Ports	48 x RJ45 RS-232 Software Selectable Straight or Rollover Pinout	96 x RJ45 RS-232 Software Selectable Straight or Rollover Pinout
Interfaces	CM8148-10G	CM8196-10G
Network Ports	2 x 10G SFP+ Fiber and 2 x 1000 Base-T Ethernet	
Console Port	1 x RJ45 RS-232 Console Port - Cisco rolled X1 pinout, baud rate 9600	
Serial Ports	RJ45 RS-232 Software Selectable 50 to 230,400 bps	
USB	2 x USB 3.0 host ports	
Remote Access	Dual Ethernet, aggregation & redundancy, Automatic Network Failover, Easy browser UI, IPv6	
Console Management	<ul style="list-style-type: none"> <li>• Built-in web terminal</li> <li>• SSH direct to consoles</li> <li>• Optional console keystroke logging</li> <li>• Alert on cable disconnects, text pattern match and more</li> <li>• Multiple concurrent sessions</li> </ul>	
Power Requirements	CM8148-10G	CM8196-10G
Dual AC	Dual socket universal IEC C13 inlet 100-240V AC 50/60Hz	
Dual DC	+/- 40V to 72V DC, 1.5A - 0.75A (x2)	+/- 40V to 72V DC, 2A-1A (x2)
Power Consumption	Less than 25W (85 BTU/h) typical	Less than 30W (102 BTU/h) typical
Cooling	Passive Cooling - can be forward or reverse mounted	



Physical Dimensions	CM8148-10G	CM8196-10G
Dimensions and Weight	17.3" x 10.5" x 1.75" - 8 lbs, 440 x 265 x 44 mm - 3.5 kg	17.3" x 10.5" x 1.75" - 10 lbs, 440 x 265 x 87 mm - 4.5 kg
Form Factor	1 RU	2 RU

### Memory and CPU

CPU	1.6 GHz Dual-Core ARM Cortex-A9 SoC (Marvell 88F6820)
Memory	2GB DDR4 SDRAM
Storage	32GB eMMC

### Environmental

Operating Temperature	5°C to 50°C, 41°F to 122°F
Storage Temperature	-30°C to +60°C, -22°F to +140°F
Humidity	5% to 90% (non-condensing)
Environmental Monitoring	Built-in temperature sensor

### Security, Encryption & Authentication

- AAA - TACACS+, RADIUS, Active Directory/OpenLDAP, with local fallback
- Embedded Firewall
- IPsec and OpenVPN
- Trusted Platform Module 2.0

### Automation & Scalability

- Opengear
- **API access**
- Docker support
- Python
- Perl and bash support
- ZTP
- SNMP-Standard **MIBs**

### Certifications

Emissions	FCC Part 15 Subpart B:2021 Class A, ICES-003 Issue 7, AS/NZS CISPR 32:2015, EN 55035:2017, EN 55032:2017, VCCI-CISPR 32:2016, CNS 13438:2006-6, CISPR22, CISPR32, CISPR35
Immunity	EN 61000-3-2:2019, IEC 61000-3-2:2018, EN/IEC 61000-3-3:2013, EN 61000-4-2:2009, IEC 61000-4-2:2008, EN 61000-4-3:2006:+ A1:2008 + A2:2010, IEC 61000-4-3:2006 + A1:2007 + A2:2010, EN/IEC 61000-4-4:2012, EN/IEC 61000-4-5:2014, EN 61000-4-6:2014, IEC 61000-4-6:2013, EN 61000-4-8:2010, IEC 61000-4-8:2009, EN/IEC 61000-4-11:2004, IEC 61000-3-2:2018

## Certifications

MTBF 150,000 Hours

## Warranty

4 Years hardware replacement and support included. Optional paid extended warranty available up to 6 years.

## Available Models

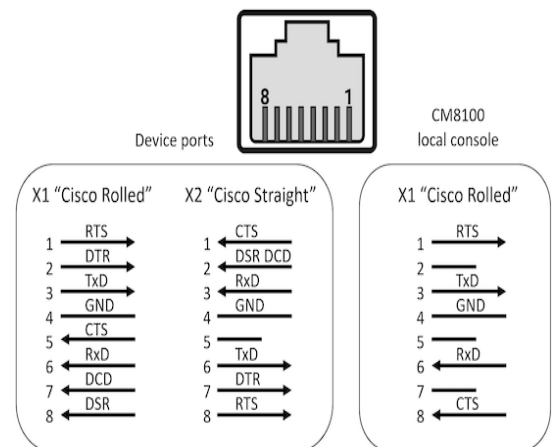
Model	Description
CM8148-10G-xx	48 serial selectable pinout, 2x 10GbE SFP+, 2x 1GbE, ARM 1.6GHz 2-core 2GB mem 32GB flash, TPM, Dual AC
CM8196-10G-xx	96 serial selectable pinout, 2x 10GbE SFP+, 2x 1GbE, ARM 1.6GHz 2-core 2GB mem 32GB flash, TPM, 2RU, Dual AC

Power cables included are based on -xx selection of -US, -EU, -UK, -JP, -AU, or -C14. See this [Opengear article](#) for additional details.

## Package Checklist

- Console Server CM81xx-10G
- Rack Mount Kit (Part# 590037)
- Two rack ears with six M4 screws
- Four M5mm caged nuts
- Four M5x15mm rack screws
- One CAT5 Patch Cable 6'
- One DB9F-RJ45 rollover serial adapter (Part# 319018)
- Two A/C Power cables

## Opengear Pinout



## Optional Accessories

Part Number	Description
319017	Adapter - DB9F to RJ45 straight serial - DCE -For X1 Pinout
319018	Adapter - DB9F to RJ45 crossover serial -DTE - For X1 Pinout
319019	Adapter - DB9M to RJ45 straight serial - DCE - For X1 Pinout
440016	Cable - Straight through CAT5 - 6' length
590037	Rack Mount Kit - Ears and Screws - CM8100 / OM2200

## Warranty

Part Number	Description
Included	4 year Standard Warranty
OGEXTWAR5-CM81	Warranty - CM81xx (Extend warranty through 5th year)
OGEXTWAR6-CM81	Warranty - CM81xx (Extend warranty through 6th year, must also purchase 5th year)