

# VB-S32D

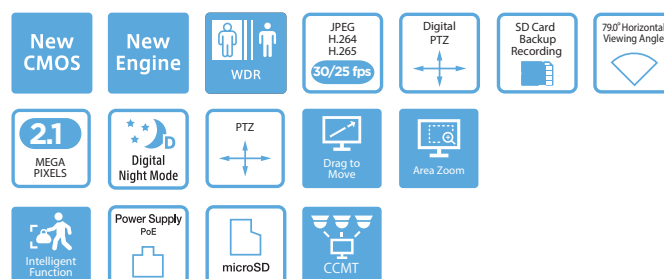
Comprehensively protect your environment with a Canon PTZ minidome network camera.

The easy-to-install Full HD PTZ Minidome network security camera with ultra-compact zoom lens technology. Ideal for indoor security and monitoring in businesses and venues.



Canon's popular network cameras have further evolved with the latest specifications and performance, equipped with a new image sensor and video network engine, while maintaining various functions, compactness, and ease of use.

- Discrete ultra-compact PTZ Minidome design: just 120 mm in diameter and 54 mm in height
- Full HD compact PTZ IP security camera
- 3.5x optical zoom (4x digital zoom) with AF support
- Remarkable low-light performance: color at 0.15 lux and mono at 0.10 lux
- Records clearly even at night, when subjects are hard to see with the naked eye
- WDR performance enables shooting the entire scene with large differences in brightness with high visibility
- Fast, high-precision Pan, Tilt, Zoom (PTZ) capability to programmed pre-set positions
- Delivering full HD 30 fps video stream and simultaneously five streams including two H.265 or H.264 streams
- ONVIF Profile-S/G/T compliant
- Direct recording / playback from microSD card (64 GB)



**Canon**

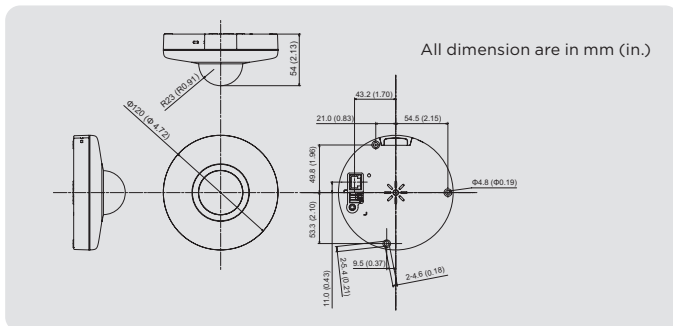
# Technical Specifications

# VB-S32D

CAMERA	
Image Sensor	1/2.8 type CMOS
Number of Effective Pixels	Approx. 2.1 million pixels
Scanning Method	Progressive
Lens	3.5x optical zoom (4x digital zoom) lens with auto focus
Focal Length	2.25 (W) - 7.88 mm (T)
F-number	F1.4 (W) - F2.6 (T)
Angle of View	For 16:9 aspect ratios: Horizontal: 79.0° (W) - 20.9° (T) Vertical: 41.0° (W) - 11.7° (T)  For 4:3 aspect ratios: Horizontal: 56.1° (W) - 15.7° (T) Vertical: 41.0° (W) - 11.7° (T)
Day / Night Switch	Auto / Day Mode / Night Mode
Min. Subject Illumination	Day Mode (color): 0.15 lux (F1.4, shutter speed 1/30 sec., 50IRE)  Night Mode (monochrome): 0.10 lux (F1.4, shutter speed 1/30 sec., 50IRE)
Focus	Auto / One-shot AF / Manual / Fixed at infinity
AF Response	Available
Shooting Distance (from front of lens)	Day Mode: 0.3 m (12 in.) - infinity Night Mode: 0.3 m (12 in.) - infinity
Shutter Speed	1/25, 1/30, 1/45, 1/50, 1/60, 1/100, 1/120, 1/250, 1/360, 1/500, 1/720, 1/1000, 1/1400, 1/2000, 1/3000, 1/4000, 1/6000, 1/8000 sec.
Exposure	Auto/Auto (Flickerless)/Auto (Flickerless2)/Auto (Shutter-priority AE)/Manual
White Balance	Auto/Manual
Metering Mode	Center-Weighted/Average/Spot/Specify Area
Exposure Compensation	13 levels
WDR	Available
Smart Shade Control	Available
Haze Compensation	Available
AGC Limit	Available
Motion-Adaptive NR (Noise Reduction)	Available
Pan Angle Range	350° (±175°)
Tilt Angle Range	90° (ceiling-mounted position: -90° - 0°) - When the horizontal direction of the camera is 0°
Moving Speed	Pan: Max. 120°/sec., Tilt: Max. 120°/sec.
SERVER	
Video Compression Method	JPEG, H.264, H.265
Video Size	JPEG, H.264, H.265: 1920 x 1080, 1280 x 720, 960 x 540, 640 x 360, 480 x 270, 320 x 180, 1280 x 960, 640 x 480, 320 x 240
Video Quality	JPEG, H.264, H.265: 10 levels
Frame Rate	System frequency 60 Hz: 1, 5, 7.5, 10, 15, 30 fps System frequency 50 Hz: 1, 2.5, 5, 6.25, 10, 12.5, 25 fps
Simultaneous Client Access	Max. 30 Clients + 1 Admin Client - H.264: Max. 10 Clients - H.265: Max. 10 Clients

Bit Rate Control	CBR (Constant Bit Rate), VBR (Variable Bit Rate), MBR (Maximum Bit Rate)
ADSR: Area-specific Data Size Reduction	Available
Security	Camera Control: Administrator, Authorized user, Guest user (level of control varies depending on user)  Access Control: User authority (user name and password), Host Access Restrictions (IPv4, IPv6)  IEEE802.1X: EAP-TLS, EAP-TTLS, EAP-PEAP Encrypted Communications: SSL/TLS
Protocol	IPv4, IPv6, TCP/IP, UDP, HTTP, SNMPv1/v2c/v3 (MIB2), DHCP, DNS, AutoIP, mDNS, ARP, ICMP, POP3, NTP, SMTP, RTP/RTCP, RTSP, SSL/TLS, ONVIF, WV-HTTP (Canon proprietary)
ONVIF Profile	Profile-S, Profile-G, Profile-T
Audio Compression Method	G.711 $\mu$ -law (64 kbps), AAC (16/48 KHz, 16/32/64/96/128 Kbps)
Audio Communication Method	Audio Reception Only
Privacy Mask	Available
Panorama	Available
View Restriction	Available
Preset	Number of registers: Max. 64 positions (+Home Position)
Intelligent Function	Moving Object Detection, Abandoned Object Detection, Removed Object Detection, Camera Tampering Detection, Passing Detection, Intrusion Detection, Volume Detection, Face Detection
Event Trigger Type	External Device Input, Intelligent Function, Timer, Day/Night Mode Switching  Number of Linked Events: 2 Linked Event Conditions: OR, AND (whether or not there is a sequence to events)
Image Upload	FTP/FTPS/HTTP/HTTPS/SMTP/SMTPS (e-mail)
Event Notification	HTTP/HTTPS/SMTP/SMTPS (e-mail)
Log Notification	SMTP/SMTPS (e-mail)
On-Screen Display	Available
APPLICATION	
Camera software	Camera Management Tool Recorded Video Utility
Language	Settings Page, Camera Viewer, Mobile Camera Viewer: German/English/Spanish/French/Italian/Russian/Thai/Korean/Chinese (Simplified) /Japanese  Recorded Video Utility, Camera Management Tool: German/English/Spanish/French/Italian/Polish/Russian/Turkish/Thai/Korean/Chinese (Simplified) /Japanese
INTERFACE	
Network Terminal	LAN x 1 (RJ45, 100Base-TX (auto))
Audio Input Terminal (common for LINE IN & MIC IN)	$\Phi$ 3.5 mm ( $\Phi$ 0.14 in.) mini-jack connector (monaural) LINE IN or MIC IN
External Device I/O Terminal	Input x 1, Output x 1
Memory Card	microSD Memory Card, microSDHC Memory Card, microSDXC Memory Card Supported. - Class 10 recommended.
OTHER	
Operating Environment	Temperature PoE: -10°C - +45°C (+14°F - +113°F)  Humidity 5% - 85% (without condensation)
Storage Environment	Temperature -30°C - +60°C (-22°F - +140°F)  Humidity 5% - 90% (without condensation)
Power Supply	PoE: PoE power supply via LAN connector (IEEE802.3at Type1 compliant)
Power Consumption	PoE: Max. approx. 6.7 W* * Class 0 power sourcing equipment (requests 15.4 W)
Dimensions	( $\Phi$ x H) $\Phi$ 120 x 54 mm ( $\Phi$ 4.72 x 2.13 in.) - excluding projections
Weight	Approx. 270 g (9.6 oz.)
International Standard	EN 55032 class A, FCC part15 subpart B class A, ICES-003 class A, VCCI class A, RCM AS/NZS EN55032 class A, CNS13438 class A, KS C 9832 class A, EN 55035, KS C 9835, IEC EN 63000:2018, CNS15663  ----- IEC/EN 62368-1 3 <sup>rd</sup> ed., UL 62368-1 3 <sup>rd</sup> ed.

## Dimensions



All data is based on Canon standard testing methods except where indicated. Subject to change without notice.

ONVIF is a trademark of ONVIF, Inc. Brands or product names in this document are trademarks or registered trademarks of their respective companies.

Comprehensively protect your environment with a Canon PTZ minidome network camera.

# VB-S32D



The easy-to-install Full HD PTZ Minidome network security camera with ultra-compact zoom lens technology. Ideal for indoor security and monitoring in businesses and venues.

Sales Start Date: January, 2023

#### Product Details:

Product Name	Mercury Code	EAN Code
Network Camera VB-S32D	5717C001	4549292202151

#### Optional Accessories:

Product Name	Mercury Code	EAN Code
Pendant Mounting Kit (PC30-VB)	9919B001	4549292022575
Surface Mounting Spacer (SS30-VB)	9920B001	4549292022582
Junction Box Mounting Kit (PS30-VB)	9921B001	4549292022568
Plenum Mounting Kit (SR30-P-VB)	1065C001	4549292071566

#### What's in the box?

- VB-S32D Main Unit
- Wire unit
- Screw for wire
- Template
- Before Using This Camera
- Warranty Card