

SARIX® PROFESSIONAL 4 CAMERA SERIES

2 MP

3 MP

5 MP

The Sarix® Professional 4 Series is a versatile, cost-effective security solution with enhanced imaging capabilities. The camera line can produce high-quality video with sharp details even in low-light conditions. The series is weather and impact resistant, making it an optimal choice for various industries and complex environments.

Equipped with Pelco Smart Analytics, powered by Motorola Solutions, this series helps to detect critical events and increase security teams' productivity by expediting real-time responses and forensic investigations.



FEATURES



ENHANCED IMAGING QUALITY

Achieves high-quality video with sharp details. True WDR allows the camera to efficiently capture details in both bright and dark areas of a scene.



PELCO SMART ANALYTICS, POWERED BY MOTOROLA SOLUTIONS

Detects and classifies more objects for greater accuracy and faster responses, even in crowded scenes.



ONVIF® COMPLIANT

ONVIF Profile S, G, T and M compliance allows for easy integration with existing ONVIF infrastructures. Integrated with Pelco VideoXpert and other leading video management systems.

ONVIF is a trademark of Onvif, Inc.



MODULAR DESIGN (SELECT MODELS)

Simple and intuitive to install.



WEATHER & IMPACT RESISTANT

IP66/IP67 and Type 4X weather rating and IK10 impact rating for vandal resistance.



5-YEAR INDUSTRY-LEADING WARRANTY

Assembled in manufacturing facilities in North America, with a five-year warranty.

SPECIFICATIONS

IMAGE PERFORMANCE		2.0 MP	3.0 MP	5.0 MP
Image Sensor		1/2.8" progressive scan CMOS		
Imaging Area (H × V)		5.57 mm × 3.13 mm 0.219" × 0.123"	5.18 mm × 3.89 mm 0.204" × 0.153"	
Aspect Ratio		16 × 9	4 × 3	
Dynamic Range	WDR Off	83 dB		
	WDR On	126 dB	130 dB	
Camera Operating Mode		N/A	N/A	Full Feature/High Framerate (Analytics disabled in High Framerate Mode)
Max Frame Rate		(50 Hz/60 Hz): 25 fps/30 fps		
Bandwidth Management		Pelco Smart Compression technology; Idle scene mode		
3D Noise Reduction Filter		Supported		

LENS AND IR ILLUMINATION		3.4-10.5 MM (DOME/BULLET)	10.9-29 MM (BULLET ONLY)	4.8-40.8 MM (BULLET ONLY)
IR Illumination Max Distance (high power 850 nm LEDs)	Indoor Dome	30 m	N/A	N/A
	Environmental Dome	50 m (2.0 MP) 40 m (3.0 MP and 5.0 MP)	N/A	N/A
	Bullet	50 m	60 m	80 m
Minimum Illumination	2.0 MP	With IR: 0 lux in monochrome mode Without IR: 0.01 lux in color mode; 0.005 lux in monochrome mode	N/A	N/A
	3.0 MP/ 5.0 MP	With IR: 0 lux in monochrome mode Without IR: 0.04 lux in color mode; 0.02 lux in monochrome mode		
Horizontal Angle of View	2.0 MP	101° - 31°	N/A	N/A
	3.0 MP/ 5.0 MP	95° - 28°	28° - 10°	57° - 7°
Vertical Angle of View	2.0 MP	53° - 17°	N/A	N/A
	3.0 MP/ 5.0 MP	69° - 21°	21° - 7°	44° - 5°
Max Aperture		F1.6	F1.7	F1.7

IMAGE CONTROL	
Image Compression Method	H.264, H.265, Motion JPEG, Pelco Smart Compression
Streaming	Multi-stream H.264, Multi-stream H.265, Motion JPEG
Electronic Shutter Control	Automatic, Manual (1/7.5 to 1/30000 sec)
Day/Night Control	Automatic, Manual
Flicker Control	50 Hz, 60 Hz
Iris Control	P-Iris
White Balance	Automatic, Manual
Backlight Compensation	Adjustable
Privacy Zones	Up to 64 zones

NETWORK

Network	100BASE-TX
Cabling Type	CAT5
Network	RJ45 Connector
ONVIF	ONVIF® compliance Profile S, Profile T, Profile G, and Profile M (www.onvif.org)
Security	Password protection, HTTPS encryption, digest authentication, WS authentication, user access log, 802.1x port based authentication, FIPS 140-2 L1 (with optional camera license), onboard FIPS 140-2 L3 certified TPM
Protocols	IPv6, IPv4, HTTP, HTTPS, SOAP, DNS, NTP, RTSP, RTCP, RTP, TCP, UDP, IGMP, ICMP, DHCP, Zeroconf, ARP, HSTS
Streaming Protocols	RTP/UDP, RTP/UDP multicast, RTP/RTSP/TCP, RTP/RTSP/HTTP/TCP, RTP/RTSP/HTTPS/TCP, HTTP
Device Management Protocols	SNMP v2c, SNMP v3

PERIPHERALS

Onboard Storage	microSD/microSDHC/microSDXC slot – video speed class card required. Class V10 or better recommended. 1 TB card tested.
USB Port	USB 2.0

AUXILIARY I/O

Audio Compression Method	G.711 PCM 8 kHz, Opus
Audio Input/Output	Line level I/O
External I/O Terminals	Alarm In, Alarm Out
Microphone (Indoor Dome)	Optional Microphone accessory sold separately for Indoor Dome Camera only

MECHANICAL (DOME)**SURFACE MOUNT****IN-CEILING MOUNT****PENDANT MOUNT**

Dimensions	D 156 mm × H 116 mm; D 6.1" × H 4.6"	D 174 mm × H 165 mm; D 6.8" × H 6.5"	D 155 mm × H 169 mm; D 6.1" × H 6.7"
Weight	0.81 kg	0.80 kg	1.07 kg
Max. Ceiling Thickness	N/A	25 mm (1.0")	N/A
Dome Bubble	Polycarbonate		
Body	Polycarbonate		
Housing	Polycarbonate		
Finish	Plastic, injection molded, Pantone 427C		
Adjustment Range	360° pan, 30°–95° tilt (recommended), 8°–95° tilt (maximum), ±180° azimuth		

MECHANICAL (BULLET)**3.4-10.5 MM****10.9-29 MM****4.8-40.8 MM**

Dimensions (L x W x H)	Camera with junction box	294 mm × 126 mm × 104 mm; 11.6" × 5.0" × 4.1"	312 mm × 126 mm × 104 mm; 12.3" × 5.0" × 4.1"
Weight	Camera	1.31 kg	1.35 kg
	Camera with junction box	1.78 kg	1.82 kg
Body	Aluminum		
Housing	Aluminum		
Finish	Powder coat, close to Pantone 427C		
Adjustment Range	±175° pan, ±90° tilt, ±175° azimuth		

ELECTRICAL

Power Source	PoE: IEEE 802.3af Class 3 compliant, 12VDC Aux	
IR Illuminator Behaviour	Dome	IR illuminator will turn off if the temperature is 60°C (140°F) or higher. The illuminator will operate at 50% power if the temperature is between 40°C (104°F) and 52 °C (117°F). Hysteresis: 2°C (3.6°F).
	Bullet	IR illuminator will turn off if the temperature is 60°C (140°F) or higher.
RTC Battery Backup	3V manganese lithium	
PoE	Indoor Dome	10 W max (8 W with no IR or IR disabled)
	Environmental Dome	13 W max (8 W with no IR or IR disabled)
	Bullet	13 W max
Memory	1GB RAM, 512MB Flash	

ENVIRONMENTAL	INDOOR DOME	ENVIRONMENTAL DOME	BULLET
Operating Temperature	-10°C to +60°C (14°F to 140°F)	-40°C to +60°C (-40°F to 140°F)	-40°C to +60°C (-40°F to 140°F)
Storage Temperature	-10°C to +70°C (14°F to 158°F)		
Absolute Maximum Temperature	74°C (165°F) per NEMA TS2 (Temp.) para 2.2.7.2 - 2.2.7.7		
Humidity	0 - 95% non-condensing		

CERTIFICATIONS	INDOOR DOME	ENVIRONMENTAL DOME	BULLET
Certifications/Approvals	UL, cUL, CE, UKCA, ROHS, RCM		
Safety	UL/CSA/EN/IEC 62368-1, IEC 62471		
Environmental	IEC/EN 62262 Impact (IK 10), IEC 60529 IP52 rating	IEC/EN 62262 (IK 10), IEC 60529 IP66, IP67 rating, Type 4X, IEC 60068-2-1, IEC 60068-2-2, IEC 60068-2-6, IEC 60068-2-14, IEC 60068-2-27	IEC/EN 62262 (IK 10), IEC 60529 IP66, IP67 rating, Type 4X, IEC 60068-2-1, IEC 60068-2-2, IEC 60068-2-6, IEC 60068-2-14, IEC 60068-2-27
Electromagnetic Emissions	FCC Part 15 Subpart B (Class B), IC ICES-003 (Class B), EN 55032 (Class B), EN 61000-6-3, EN 61000-3-2, EN 61000-3-3		
Electromagnetic Immunity	EN 55035, EN 61000-6-1, EN 50130-4, EN 50121-4		

ANALYTICS SPECIFICATIONS

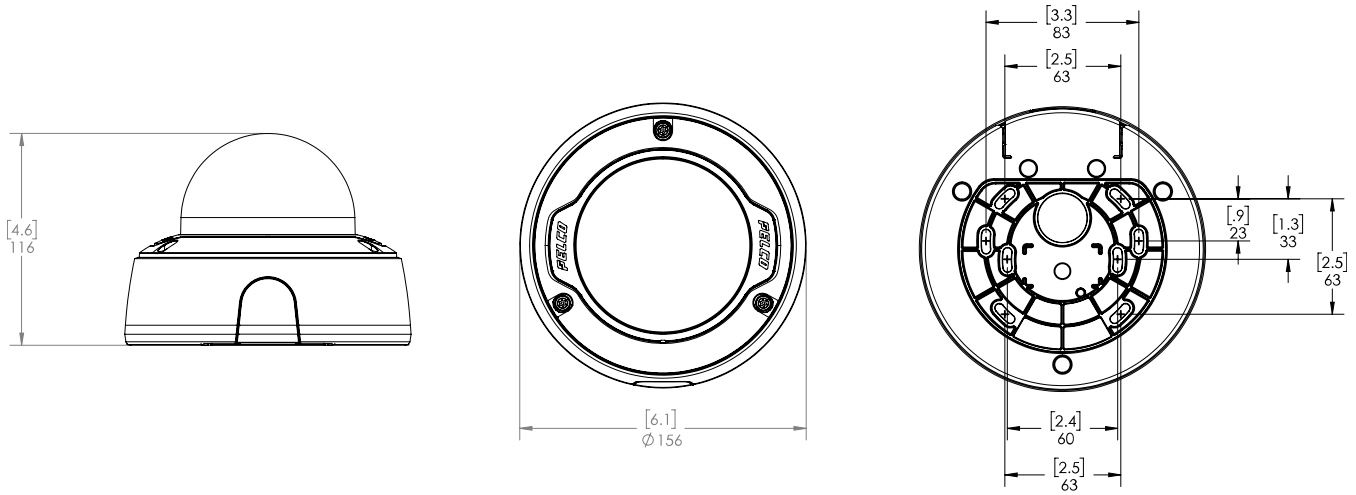
SUPPORTED ANALYTICS EVENTS

Objects in Area	The event is triggered when the selected object type moves into the region of interest.
Object Loitering	The event is triggered when the selected object type moves into the region of interest and then stays for an extended amount of time.
Objects Crossing Beam	The event is triggered when the specified number of objects have crossed the directional beam that is configured over the camera's field of view. The beam can be unidirectional or bidirectional.
Object Appears or Enters Area	The event is triggered by each object that enters the region of interest. This event can be used to count objects.
Object Not Present in Area	The event is triggered when no objects are present in the region of interest.
Objects Enter Area	The event is triggered when the specified number of objects have entered the region of interest.
Objects Leave Area	The event is triggered when the specified number of objects have left the region of interest.
Object Stops in Area	The event is triggered when an object moves into a region of interest and then stops moving for the specified threshold time.
Direction Violated	The event is triggered when an object moves in the prohibited direction of travel.
Tamper Detection	The event is triggered when the scene unexpectedly changes.

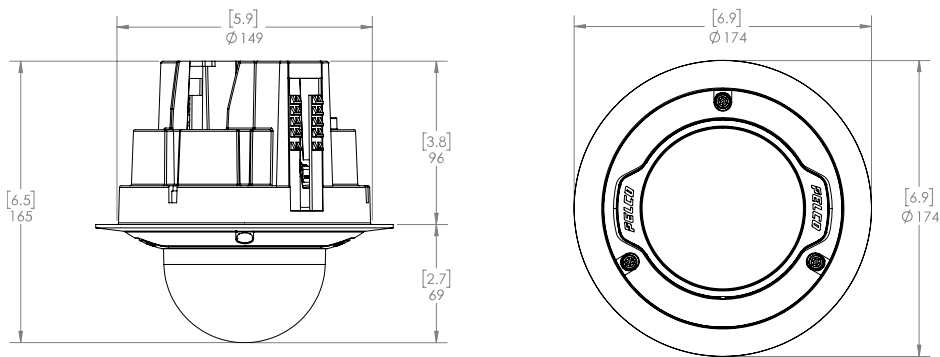
OUTLINE DIMENSIONS

DOME CAMERA WITH SURFACE MOUNT

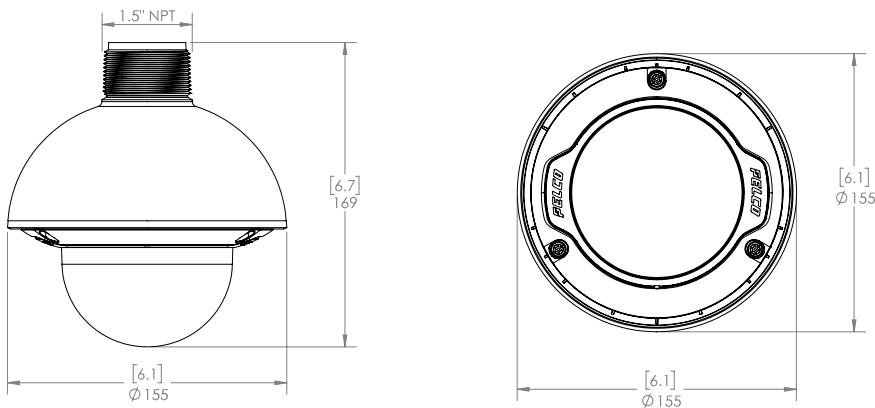
[X.X]	INCHES
X	MM



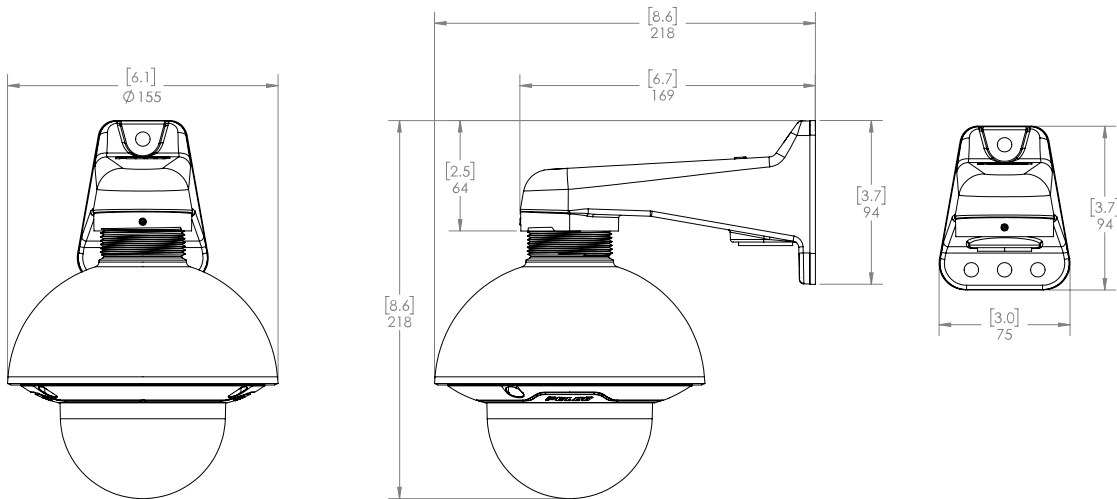
DOME CAMERA WITH IN-CEILING MOUNT



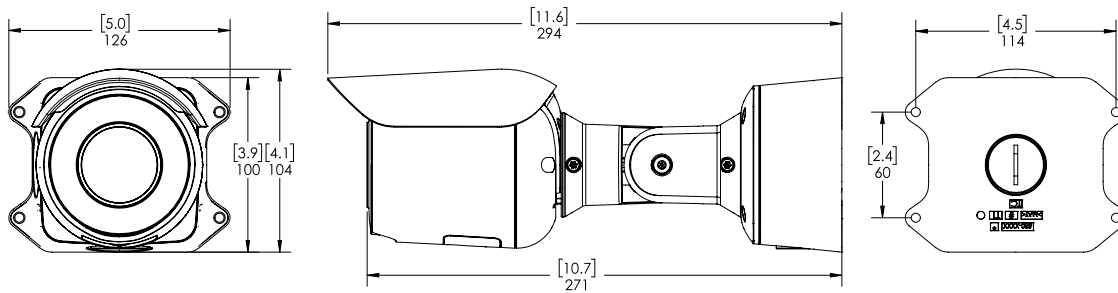
DOME CAMERA WITH NPT ADAPTER



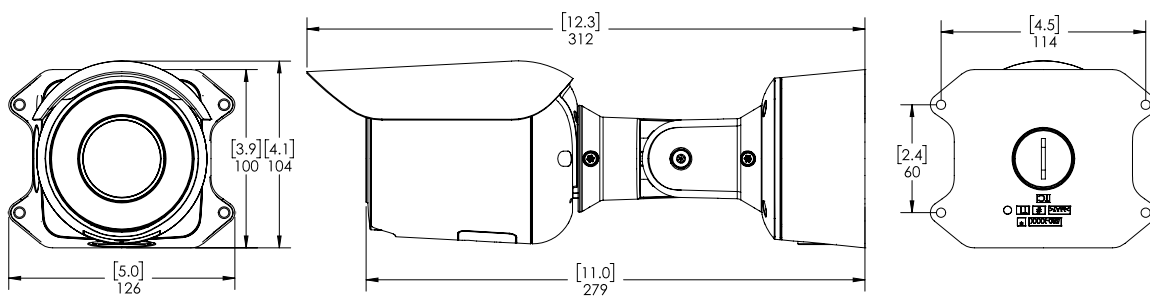
DOME CAMERA WITH NPT ADAPTER AND PENDANT WALL MOUNT (WMVE-AW)



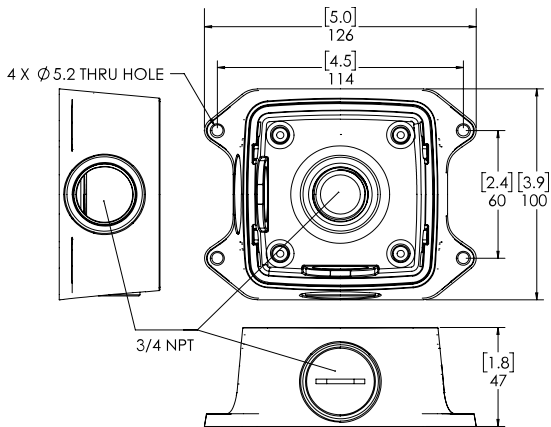
BULLET CAMERA (3.4-10.5 MM & 10.9-29 MM)



BULLET CAMERA (4.8-40.8 MM)



BULLET JUNCTION BOX



ORDERING INFORMATION

BULLET CAMERA

MODEL NUMBER	MP	WDR	ANALYTICS	LENS	IR	IP66/IP67, TYPE4X	SMART COMPRESSION	SUREVISION TECHNOLOGY
SRXP4-2V10-EBT-IR	2.0	✓	✓	3.4-10.5 mm	✓	✓	✓	✓
SRXP4-3V10-EBT-IR	3.0	✓	✓	3.4-10.5 mm	✓	✓	✓	✓
SRXP4-3V29-EBT-IR	3.0	✓	✓	10.9-29 mm	✓	✓	✓	✓
SRXP4-3V40-EBT-IR	3.0	✓	✓	4.8-40.8 mm	✓	✓	✓	✓
SRXP4-5V10-EBT-IR	5.0	✓	✓	3.4-10.5 mm	✓	✓	✓	✓
SRXP4-5V29-EBT-IR	5.0	✓	✓	10.9-29 mm	✓	✓	✓	✓
SRXP4-5V40-EBT-IR	5.0	✓	✓	4.8-40.8 mm	✓	✓	✓	✓

DOME CAMERA

MODEL NUMBER	MP	WDR	ANALYTICS	LENS	IR	IP66/IP67, TYPE4X	SMART COMPRESSION	SUREVISION TECHNOLOGY
SRXP4-2V10-IMD	2.0	✓	✓	3.4-10.5 mm			✓	✓
SRXP4-2V10-IMD-IR	2.0	✓	✓	3.4-10.5 mm	✓		✓	✓
SRXP4-2V10-EMD	2.0	✓	✓	3.4-10.5 mm		✓	✓	✓
SRXP4-2V10-EMD-IR	2.0	✓	✓	3.4-10.5 mm	✓	✓	✓	✓
SRXP4-3V10-IMD	3.0	✓	✓	3.4-10.5 mm			✓	✓
SRXP4-3V10-IMD-IR	3.0	✓	✓	3.4-10.5 mm	✓		✓	✓
SRXP4-3V10-EMD	3.0	✓	✓	3.4-10.5 mm		✓	✓	✓
SRXP4-3V10-EMD-IR	3.0	✓	✓	3.4-10.5 mm	✓	✓	✓	✓
SRXP4-5V10-IMD	5.0	✓	✓	3.4-10.5 mm			✓	✓
SRXP4-5V10-IMD-IR	5.0	✓	✓	3.4-10.5 mm	✓		✓	✓
SRXP4-5V10-EMD	5.0	✓	✓	3.4-10.5 mm		✓	✓	✓
SRXP4-5V10-EMD-IR	5.0	✓	✓	3.4-10.5 mm	✓	✓	✓	✓

ACCESSORIES

PART NUMBER	DESCRIPTION
WMVE-AW	Wall Mount Arm for 1.5" NPT Pendant
PA101-AW	Pole Mount Adapter for WMVE-AW
IMM-CM-AW	Corner Mount for WMVE-AW
SLSPCIL-1001	In-ceiling mounting adapter for Sarix Pro 4 Dome Camera
SRXP4-PM-1E	Pendant NPT adapter for Sarix Pro 4 Dome Camera
DCLPNL-1001	Metal ceiling panel for suspended ceiling installations
SRXP4-DMSLD	Weathershield for Sarix Pro 4 Dome Camera
ACMICR-1001	Microphone accessory for Indoor Sarix Pro 4 Dome Camera
SRXP4-LD-1E	Clear lower dome for Sarix Pro 4 Environmental Dome Camera
SRXP4-LD-0E	Smoked lower dome for Sarix Pro 4 Environmental Dome Camera
SRXP4-LD-1I	Clear lower dome for Sarix Pro 4 Indoor Dome Camera
SRXP4-LD-0I	Smoked lower dome for Sarix Pro 4 Indoor Dome Camera
CNCVR-1001	Adapter 3/4 inch conduit for Sarix Pro 4 Dome Camera, 5-pack
AVIO-3500	3.5 mm audio I/O jack with 1.8 m fly wire
CAM-FIPS	Camera license to enable FIPS Level 1 cryptographic mode
CRNMT-1001	Corner Mount for Sarix Pro 4 Bullet Camera
PLMT-1001	Pole Mount for Sarix Pro 4 Bullet Camera

SUPPORT

Learn more and find additional documentation at pelco.com or email support@pelco.com for specific product support.



Oct 2022 | C#####-A | Rev 1

© 2022 - 2022, Motorola Solutions, Inc. All rights reserved. MOTOROLA, MOTO, MOTOROLA SOLUTIONS, and the Stylized M Logo are trademarks or registered trademarks of Motorola Trademark Holdings, LLC and are used under license. Pelco, the Pelco logo, and other trademarks associated with Pelco products referred to in this publication are trademarks of Pelco, Inc. or its affiliates. All other product names and services are the property of their respective companies. Product specifications and availability are subject to change without notice.