

Logitech Tap Wall Mount

The Logitech Tap wall mount is compatible with the Tap and Tap IP meeting control panel. The wall mount provides access to the Tap touch controls within meeting rooms or in hallways and open areas.

The mount can be installed directly on the wall or attached to a 1-gang or 2-gang wall box for in-wall wiring applications. Once the mount is installed, the Tap panel can easily be removed for table top access. The Logitech Tap wall mount comes standard in black.

FEATURES

- Mounts directly to the wall or attaches to a 1-gang or 2-gang wall box
- Mounting hardware included
- Black
- TAA compliant

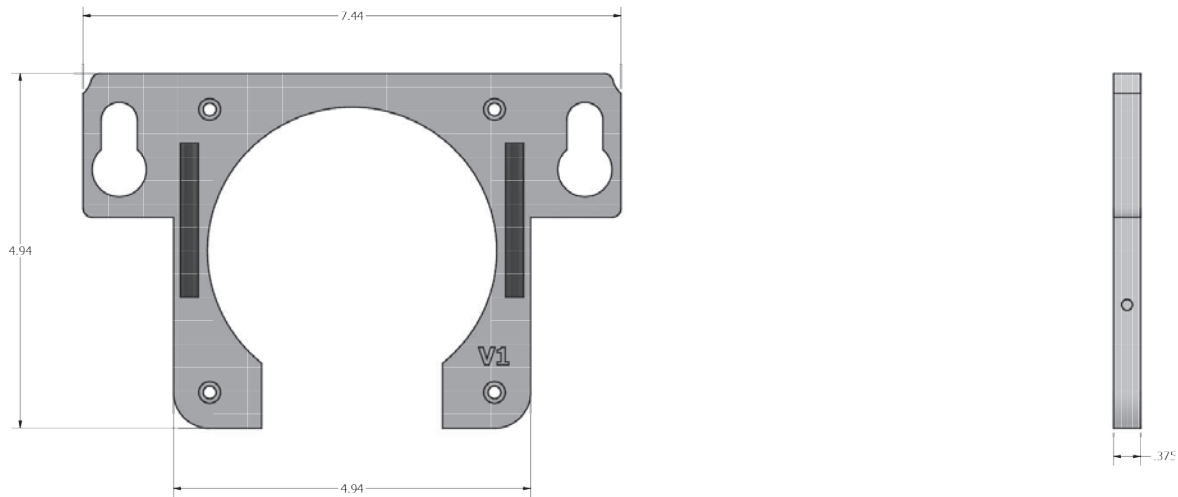
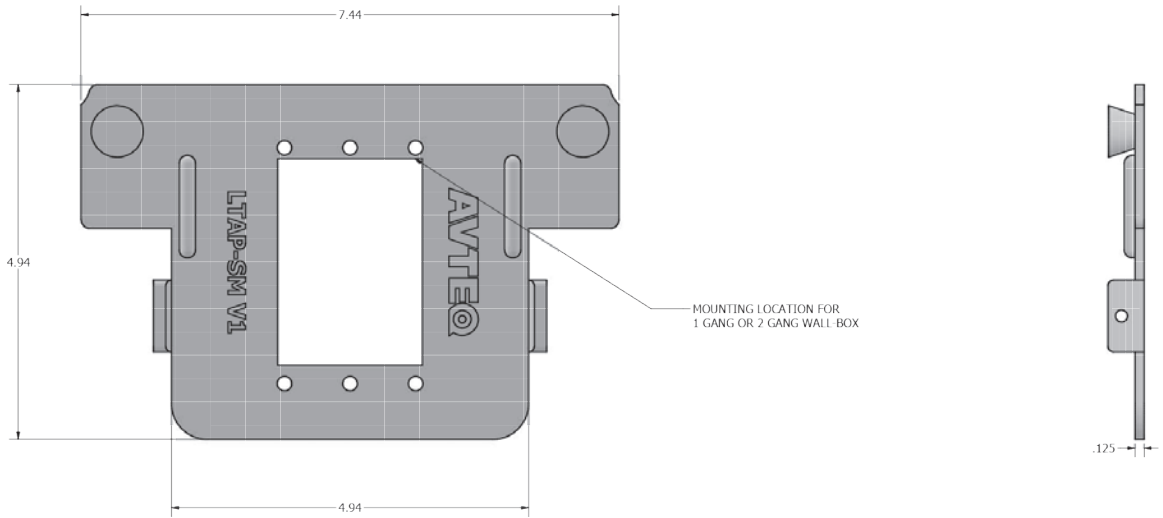


LTAP-SM



Mount with Logitech Tap

SPECIFICATIONS



DESCRIPTION	DIMENSIONS	PART NUMBER
Logitech Tap Wall Mount	7.44"W X 4.94L X 0.5"D	LTAP-SM



Call 800.285.8315 or visit AVTEQ.net