

KL Series II

1.2mm | 1.5mm | 1.8mm | 2.5mm



16:9
Aspect ratio



3840Hz
High refresh rate

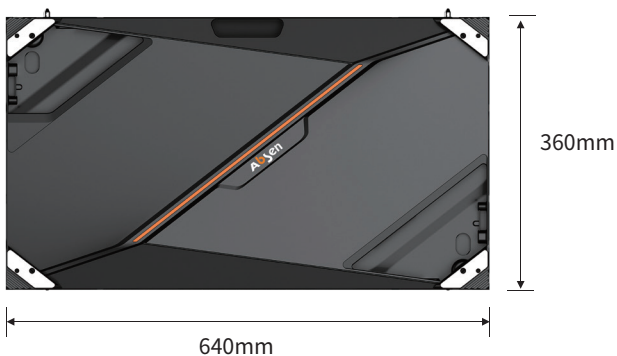


800nits
Maximum brightness



Floating connectors
Fast installation and maintenance

◀ Easily enjoy 8k vision display



- 16:9 aspect ratio design for enhanced viewing comfort
- Delivered as ready-to-use panel with PFC power supply unit
- n² panels can be spliced into 2K, 4K or 8K 16:9 screen

◀ Create stunning visual effect



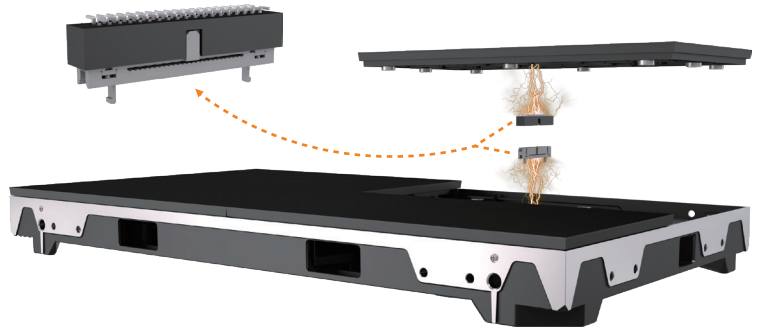
✓ With color deviation

✗ No color deviation

- With color management technology, the original image can be displayed without color deviation.
- Grayscale performance is increased by four times, making the details clearly visible.
- Supports 120Hz HFR+ mode, suitable for playing high-speed motion pictures.

◀ Installation & maintenance

- Innovative floating connector realizes cable-free connection
- Hidden wiring design
- X/Y/Z axis alignment for flatness adjustment
- Hanging, wall-mounting, stacking installation, etc
- Front maintenance of module, receiving card, etc
- Standard hanging bar, backing strip, trim pieces



◀ Application scenario



Corporate



Retail



Other solutions

◀ Product specification

Parameter	KL1.2 II	KL1.5 II	KL1.8 II	KL2.5 II
LED type	Black SMD1010	Black SMD1212	Black SMD1515	Black SMD1515
Pixel pitch (mm)	1.25	1.53	1.86	2.5
Panel dimensions (W*H*D, mm)	640*360*65	640*360*65	640*360*65	640*360*65
Panel resolution	512*288	416*234	344*192	256*144
Panel weight (kg)	6	6	6	6
Panel material	Die casting aluminum	Die casting aluminum	Die casting aluminum	Die casting aluminum
Module size (W*H, mm)	320*180	320*180	320*180	320*180
Brightness (nit)	800	800	800	600
Refresh rate (Hz)	≥3840	≥3840	≥3840	≥3840
Grayscale (bit)	14	14	14	14
Contrast ratio	4000:1	4000:1	4000:1	3000:1
Color temperature (K)	2500-9500	2500-9500	2500-9500	2500-9500
Viewing angle (H/V, °)	140/120	160/140	160/140	160/140
Drive mode	1/32	1/52	1/43	1/32
AC operating voltage (V)	100~240	100~240	100~240	100~240
Power consumption (max./avg., W/m ²)	615/205	560/187	520/173	410/137
Certification	FCC, ETL, CE			

Note:

Only KL1.5 II, KL1.8 II and KL2.5 II support HFR+ mode. The brightness of KL2.5 II reaches 600nits and the others are 800nits.

Z-axis alignment function is only available for ground stacking installation.



HQ Office
7120 Lake Ellenor Dr Orlando, FL 32809
407.203.8870 info@usabsen.com
www.usabsen.com

East Service Center&Warehouse
7307 Presidents Drive, Orlando, FL 32809
West Service Center & Showroom
20311 Valley Blvd Suite J, Walnut, CA 91789

Twitter: @Absen_Inc
 Facebook: @AbsenInc
 LinkedIn: @AbsenInc
 IG: @absen_inc