



Network

Fisheye

# ANE-L6012R

2MP IR Fisheye Camera



## Key Features

- Maximum 2MP resolution
- 3mm fixed focal
- Color: 0.03Lux(F1.6, 1/30sec), BW : 0Lux (IR LED on)
- Maximum 30fps@5MP (H.265/H.264)
- H.265/H.264, MJPEG codec support, Multiple streaming
- Day & Night (ICR), WDR (120dB)
- Tampering, Motion detection, Virtual area(Intrusion/Enter/Exit), Virtual line(Crossing/Direction)
- Micro SD/SDHC 1slot 32GB
- Hallway view, WiseStream II support
- IR Viewable length 20m(65.62ft)
- LDC, PoE

# ANE-L6012R

## 2MP IR Flateye Camera



### Specifications

#### Video

Imaging Device	1/2.8" CMOS
Resolution	1920x1080, 1280x960, 1280x720, 800x600, 800x448, 720x576, 720x480, 640x480, 640x360
Max. Framerate	H.265/H.264 : Max. 30fps/25fps(60Hz/50Hz) MJPEG : Max. 10fps
Min. Illumination	Color: 0.03Lux(F1.6, 1/30sec) BW : 0Lux (IR LED on)

#### Lens

Focal Length (Zoom Ratio)	3mm fixed focal
Max. Aperture Ratio	F1.6
Angular Field of View	H: 107.7° / V: 59.0° / D: 126.7°
Min. Object Distance	1.1m(3.6ft)
Focus Control	Fixed

#### Pan / Tilt / Rotate

Pan / Tilt / Rotate Range	0°~350° / 0°~67° / 0°~355°
---------------------------	----------------------------

#### Operational

Camera Title	Displayed up to 15 characters
Day & Night	Auto(ICR)
Backlight Compensation	BLC, WDR, SSSR
Wide Dynamic Range	120dB
Digital Noise Reduction	SSNR
Motion Detection	4ea, rectangler zones
Privacy Masking	6ea, rectangular zones
Gain Control	Low / Middle / High
White Balance	ATW / AWC / Manual / Indoor / Outdoor
LDC	Support
Electronic Shutter Speed	Minimum / Maximum / Anti flicker (2~1/12,000sec)
Video Rotation	Flip, Mirror, Hallway view(90/270)
Analytics	Motion detection, Tampering, Virtual area(Intrusion/Enter/Exit), Virtual line(Crossing/Direction)
Alarm Triggers	Analytics
Alarm Events	File upload via FTP and e-mail Notification via e-mail SD/SDHC recording at event triggers
IR Viewable Length	20m(65.62ft)

#### Network

Ethernet	RJ-45(10/100BASE-T)
Video Compression	H.265/H.264 : Main/High, MJPEG
Smart Codec	WiseStream II
Bitrate Control	H.265/H.264: CBR or VBR MJPEG: VBR
Streaming	Unicast(6 users) / Multicast Multiple streaming (Up to 3 profiles)

<b>Protocol</b>	IPv4, IPv6, TCP/IP, UDP/IP, RTP(UDP), RTP(TCP), RTCP, RTSP, NTP, HTTP, HTTPS, SSL/TLS, DHCP, FTP, SMTP, ICMP, IGMP, SNMPv1/v2c/v3(MIB-2), ARP, DNS, DDNS, QoS, UPnP, Bonjour
<b>Security</b>	HTTPS(SSL) Login Authentication Digest Login Authentication IP Address Filtering User access log 802.1X Authentication(EAP-TLS, EAP-LEAP)
<b>Application Programming Interface</b>	ONVIF Profile S/G/T SUNAPI(HTTP API)

## General

<b>Webpage Language</b>	English
<b>Edge Storage</b>	Micro SD/SDHC 1slot 32GB
<b>Memory</b>	512MB RAM, 256MB Flash

## Environmental & Electrical

<b>Operating Temperature / Humidity</b>	-30°C ~ +55°C(-22°F ~ +131°F) / Less than 95% RH * Start up should be done at above -20°C(-4°F)
<b>Storage Temperature / Humidity</b>	-30°C ~ +55°C(-22°F ~ +131°F) / Less than 95% RH
<b>Certification</b>	IP67, IK10
<b>Input Voltage</b>	PoE(IEEE802.3af, Class3)
<b>Power Consumption</b>	Max 6.6W, Typical 4.8W

## Mechanical

<b>Color / Material</b>	White / Plastic, Aluminum
<b>RAL Code</b>	RAL9003
<b>Product Dimensions / Weight</b>	Ø125.0x87.4mm(Ø4.92x3.44"), 630g
<b>Compatible Conduit hole / Gangbox</b>	None / Single, Double, 4" Octagon
<b>Backbox</b>	SBV-A14B

## DORI (EN62676-4 standard)

<b>Detect (25PPM/ 8PPF)</b>	28.1m(92.04ft)
<b>Observe (63PPM/ 19PPF)</b>	11.2m(36.82ft)
<b>Recognize (125PPM/ 38PPF)</b>	5.6m(18.41ft)
<b>Identify (250PPM/ 76PPF)</b>	2.8m(9.20ft)



# ANE-L6012R

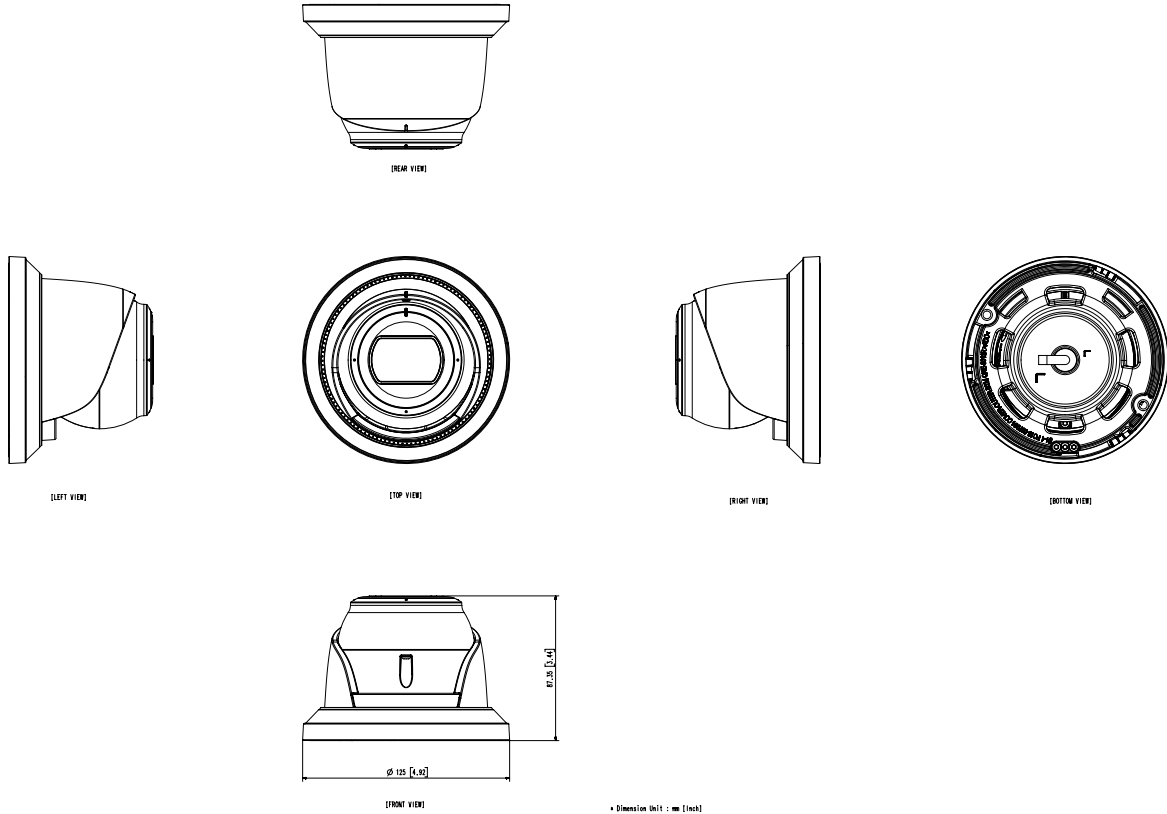
## 2MP IR Flateye Camera

CAD

Unit: mm [inch]

This parts should not replace any components which are specified by 3D00-0000

NO	PART NAME	CODE NO.	MATERIAL	Q'TY	REMARK
1	ANE-L6012R-QNE-001R-Y1	00001	Cast-AL	1	-



\* Dimension Unit : mm [inch]

A1 CHANGE

REV	DATE	DESIGNER	CHECK	APPROVAL	PART NAME	APPEARANCE QNE-001R
		CHOI, R.S		CHOI, Y.S		
SCALE	1/1	19.04.09		19.04.09		QNE-001R/QNE-002R
					CODE NO.	QNE-001R/QNE-002R