



Network

Bullet

# XNO-C7083R

4MP AI IR Bullet Camera

FC | UL | CE | ENEC

## Key Features

- 4MP resolution
- 2.8~10mm (3.6x) motorized varifocal
- Color: 0.038Lux (F1.4, 1/30sec, 30IRE), 0Lux (IR LED on)
- Maximum 60fps@4MP (H.265/H.264)
- WiseIR: IR viewable length 40m (131.23ft)
- Day & Night (ICR), extremeWDR (120dB)
- WiseNR II (Based on AI engine), WiseStreamIII (Based on AI engine)
- Analytics events based on AI engine (NPU) : Object detection (Person/Face/Vehicle - car, truck, bus, bicycle, motorcycle/License plate),  
IVA (Virtual line/Area, Enter/Exit, Loitering, Direction, Intrusion)
- Analytics events : Defocus detection, Motion detection, Tampering, Fog detection  
Audio detection, Sound classification, Shock detection, Appear/Disappear
- IP66, IP67, NEMA4X, IK10

# XNO-C7083R

## 4MP AI IR Bullet Camera



### Specifications

#### Video

<b>Imaging Device</b>	1/2.8" progressive CMOS
<b>Resolution</b>	2592x1520, 2560x1440, 1920x1080, 1280x1024, 1280x960, 1280x720, 1024x768, 800x600, 800x448, 720x576, 720x480, 640x480, 640x360, 320x240
<b>Max. Framerate</b>	H.265/H.264: Max. 60fps/50fps(60Hz/50Hz)(WDR off) Max. 30fps/25fps(60Hz/50Hz)(WDR on) MJPEG: Max. 30fps/25fps(60Hz/50Hz)
<b>Min. Illumination</b>	Color: 0.038Lux(F1.4, 1/30sec, 30IRE) B/W : 0.0038Lux(F1.4, 1/30sec, 30IRE), 0Lux(IR LED on), 30/25fps  Color: 0.076Lux(F1.4, 1/60sec, 30IRE) B/W : 0.0076Lux(F1.4, 1/60sec, 30IRE), 0Lux(IR LED on), 60/50fps
<b>Video Out</b>	USB: Micro USB Type B, 1280x720 for installation

#### Lens

<b>Focal Length (Zoom Ratio)</b>	2.8~10mm(3.6x) motorized varifocal
<b>Max. Aperture Ratio</b>	F1.4(Wide) ~ F3.0(Tele)
<b>Angular Field of View</b>	H: 109.7°(Wide) ~ 30.4°(Tele) V: 60.8°(Wide) ~ 17.8°(Tele) D: 131.3°(Wide) ~ 35.3°(Tele)
<b>Min. Object Distance</b>	0.5m(1.64ft)
<b>Focus Control</b>	Simple focus, Manual
<b>Lens Type</b>	DC auto iris with hall sensor (IR corrected)

#### Operational

<b>Camera Title</b>	Displayed up to 85 characters
<b>Day &amp; Night</b>	Auto(ICR)
<b>Backlight Compensation</b>	BLC, HLC, WDR, SSSR
<b>Wide Dynamic Range</b>	extremeWDR (120dB)
<b>Digital Noise Reduction</b>	WiseNR II (Based on AI engine), SSNR V
<b>Digital Image Stabilization</b>	Support(built-in gyro sensor)
<b>Defog</b>	Support
<b>Motion Detection</b>	8ea, 8point Polygonal zones
<b>Privacy Masking</b>	32ea, Quadrangle zones - Color : Gray, Green, Red, Blue, Black, White - Mosaic
<b>Gain Control</b>	Support
<b>White Balance</b>	ATW / Narrow ATW / AWC / Manual / Indoor / Outdoor
<b>LDC</b>	Support (Fill/stretch mode)
<b>Electronic Shutter Speed</b>	Minimum / Maximum / Anti flicker (2~1/12,000sec) prefer shutter control(Based on AI engine)
<b>Video Rotation</b>	Flip, Mirror, Hallway view(90°/270°)
<b>Analytics</b>	- Analytics events based on AI engine : Object detection (Person/Face/Vehicle(car/bus/truck/motorcycle/bicycle)/License plate), IVA (Virtual line/Area, Enter/Exit, Loitering, direction, Appear/Disappear, intrusion) - Analytics events : Defocus detection, Motion detection, Tampering, Fog detection, Audio detection, Sound classification, Shock detection
<b>Business Intelligence</b>	Based on AI engine : People counting, Queue management, Heatmap
<b>Alarm I/O</b>	2 configurable I/O ports
<b>Alarm Triggers</b>	Analytics, Network disconnect, Alarm input, App event, Time schedule

<b>Alarm Events</b>	When alarm trigger occurred - File upload(image) : e-mail/FTP - Notification : e-mail - Recording : SD/SDHC/SDXC or NAS recording at event triggers - Alarm output - Handover(PTZ preset, Send message by HTTP/HTTPS/TCP) - Audio clip playback
<b>Audio In</b>	Selectable(mic in/line in) Supply voltage: 2.5VDC(4mA), Input impedance: 2K Ohm
<b>Audio Out</b>	Line out, Max.output level: 1Vrms
<b>IR Viewable Length</b>	WiselR 40m(131.23ft)

## Network

<b>Ethernet</b>	Metal shielded RJ-45(10/100BASE-T)
<b>Video Compression</b>	H.265/H.264: Main/High, MJPEG
<b>Audio Compression</b>	G.711 u-law /G.726 Selectable G.726(ADPCM) 8KHz, G.711 8KHz G.726: 16Kbps, 24Kbps, 32Kbps, 40Kbps AAC-LC: 48Kbps at 16KHz
<b>Smart Codec</b>	Manual(5ea area), WiseStream II, WiseStreamIII(Based on AI engine)
<b>Bitrate Control</b>	H.264/H.265: CBR or VBR MJPEG: VBR
<b>Streaming</b>	Unicast(20 users) / Multicast Multiple streaming(Up to 10 profiles, 3 virtual channel support)
<b>Protocol</b>	IPv4, IPv6, TCP/IP, UDP/IP, RTP(UDP), RTP(TCP), RTCP,RTSP, NTP, HTTP, HTTPS, SSL/TLS, DHCP, FTP, SMTP, ICMP, IGMP, SNMPv1/v2c/v3(MIB-2), ARP, DNS, DDNS, QoS, UPnP, Bonjour, LLDP, SRTP (TCP, UDP Unicast)
<b>Security</b>	HTTPS(SSL) Login Authentication Digest Login Authentication IP Address Filtering User access log 802.1X Authentication(EAP-TLS, EAP-LEAP, EAP-PEAP MSCHAPv2) Device Certificate(Hanwha Techwin Root CA, pre-installed) Secure by default certificate HTPM (Hanwha Trusted platform module) Secure OS/Boot/Storage, Verify firmware forgery CyberSecurity assurance program UL CAP (UL 2900-1)
<b>Application Programming Interface</b>	ONVIF Profile S/G/T SUNAPI(HTTP API) Wisenet open platform

## General

<b>Webpage Language</b>	English, Korean, Chinese, French, Italian, Spanish, German, Japanese, Russian, Swedish,, Portuguese, Czech, Polish, Turkish, Dutch, Greek, Hungarian
<b>Edge Storage</b>	Micro SD/SDHC/SDXC 1slot 512GB
<b>Memory</b>	2GB RAM, 512MB Flash

## Environmental & Electrical

<b>Operating Temperature / Humidity</b>	-40°C~+55°C(-40°F ~ +131°F) * Maximum temperature : +60°C (intermittent) * Start up should be done at above -20°C NEMA TS-2 : 74°C 0~95%RH(non-condensing) Humidity control /w GORE vent
<b>Storage Temperature / Humidity</b>	-50°C ~ +60°C(-58°F ~ +140°F) / Less than 90% RH
<b>Certification</b>	IP66/IP67/NEMA4X, IK10
<b>Input Voltage</b>	PoE(IEEE802.3af, Class3), 12VDC
<b>Power Consumption</b>	PoE: Max 12.95W, typical 10.8W 12VDC: Max 12.5W, typical 10.0W

## Mechanical

<b>Color / Material</b>	White / Aluminum + PC Hard-coated window
<b>RAL Code</b>	RAL9003
<b>Product Dimensions / Weight</b>	Ø93.4x276.6mm(Ø3.68x10.89"), 1640g(3.62 lb)
<b>Compatible Conduit hole / Gangbox</b>	SBO-147BA(Sold seperately) single, double, 4" octagon, 4" square

---

**DORI (EN62676-4 standard)**

<b>Detect (25PPM/ 8PPF)</b>	Wide: 36.5m(119.76ft) / Tele: 183.8m(603.05ft)
<b>Observe (63PPM/ 19PPF)</b>	Wide: 14.6m(47.9ft) / Tele: 73.5m(241.22ft)
<b>Recognize (125PPM/ 38PPF)</b>	Wide: 7.3m(23.95ft) / Tele: 36.8m(120.61ft)
<b>Identify (250PPM/ 76PPF)</b>	Wide: 3.7m(11.98ft) / Tele: 18.4m(60.31ft)

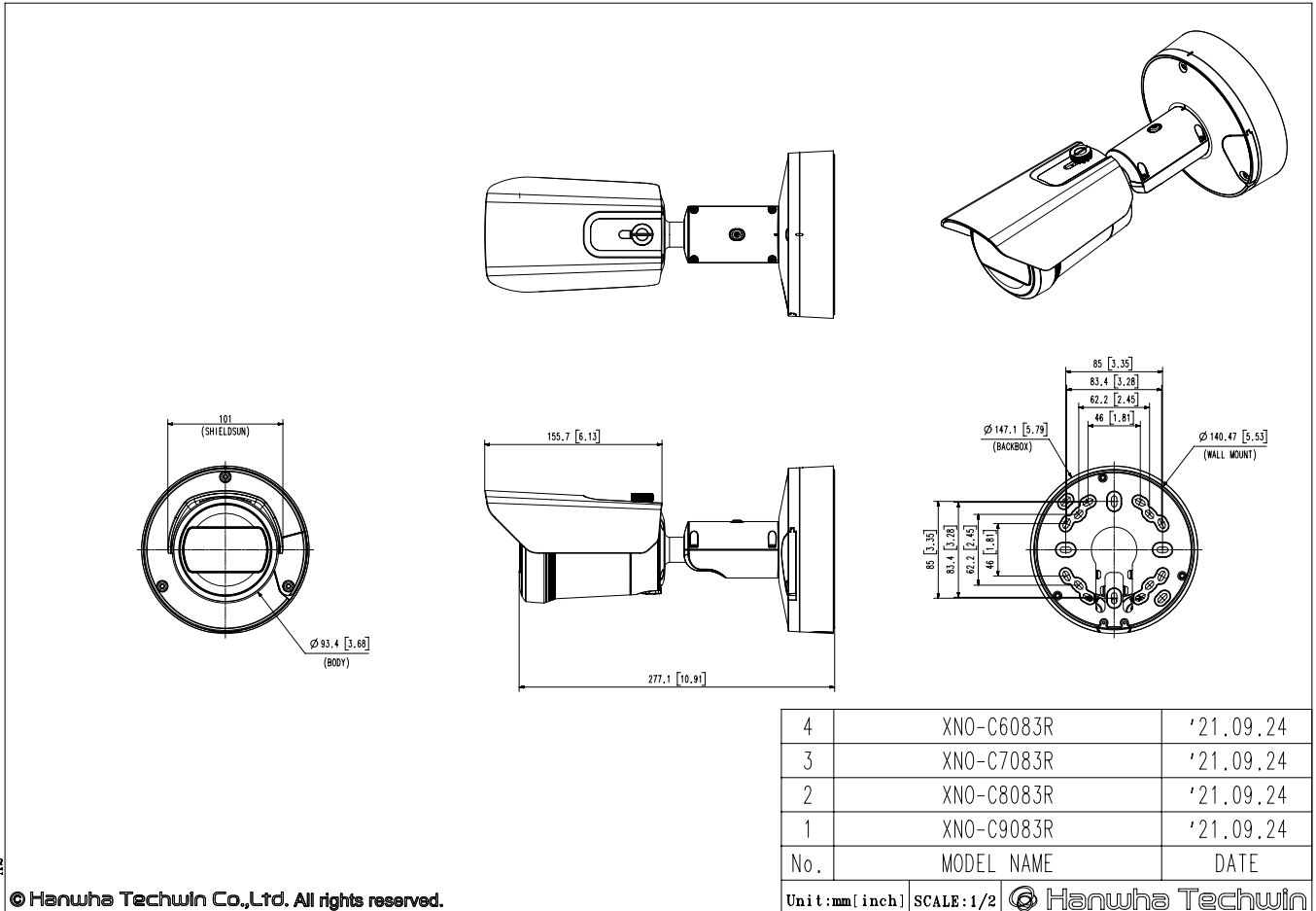
---

**XNO-C7083R**  
4MP AI IR Bullet Camera



CAD

Unit: mm [inch]



A2

© Hanwha Techwin Co., Ltd. All rights reserved.