

## CYBERVIEW N32



### 32-CHANNEL NETWORK VIDEO RECORDER WITH PoE



**32**  
CHANNEL

**4K**

H.265

ONVIF

HDMI

VGA

Support  
4 SATA  
HDD

**40TB**  
MAX  
STORAGE



The Gyratation CyberView N32 Network Video Recorder (NVR) supports up to 32 IP cameras and provides up to 4K high-definition recording for your IP video surveillance applications. It is also compatible with Ultra 265, H.265, and H.264 video compression formats. The CyberView N32 is ideal for a variety of circumstances where image details are critical for identification, such as residential areas, retail stores, businesses, office buildings, hotels, transportation hubs, and many more. The embedded programming allows for centralized management of your IP camera settings, including configuration, information import/export, real-time information display, two-way audio, firmware upgrades, etc.

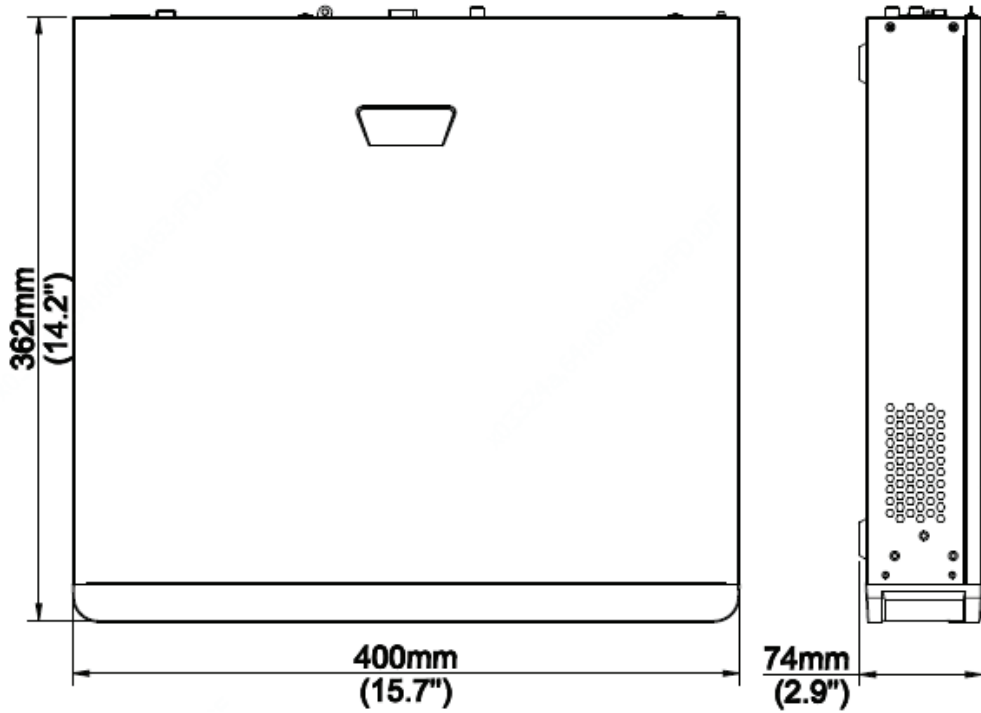
#### KEY FEATURES

- Support Ultra 265/H.265/H.264 video compression formats
- 32-channel input
- Compatible with third-party IP cameras supported with ONVIF conformance to: Profile S, Profile G, Profile T
- Supports 1-ch HDMI and 1-ch VGA output simultaneously
- HDMI and VGA simultaneous output
- Records HDMI at up to 4K(3840x2160) resolution
- 4 SATA HDD up to 10TB each HDD (sold separately)
- ANR technology to enhance the storage reliability when the network is disconnected
- Supports detection features such as face, intrusion, cross-line, audio, defocus, scene-change, auto-tracking, object left behind, and object removed. Also offers face search, behavior search, and people counting.
- Supports cloud-based firmware upgrades

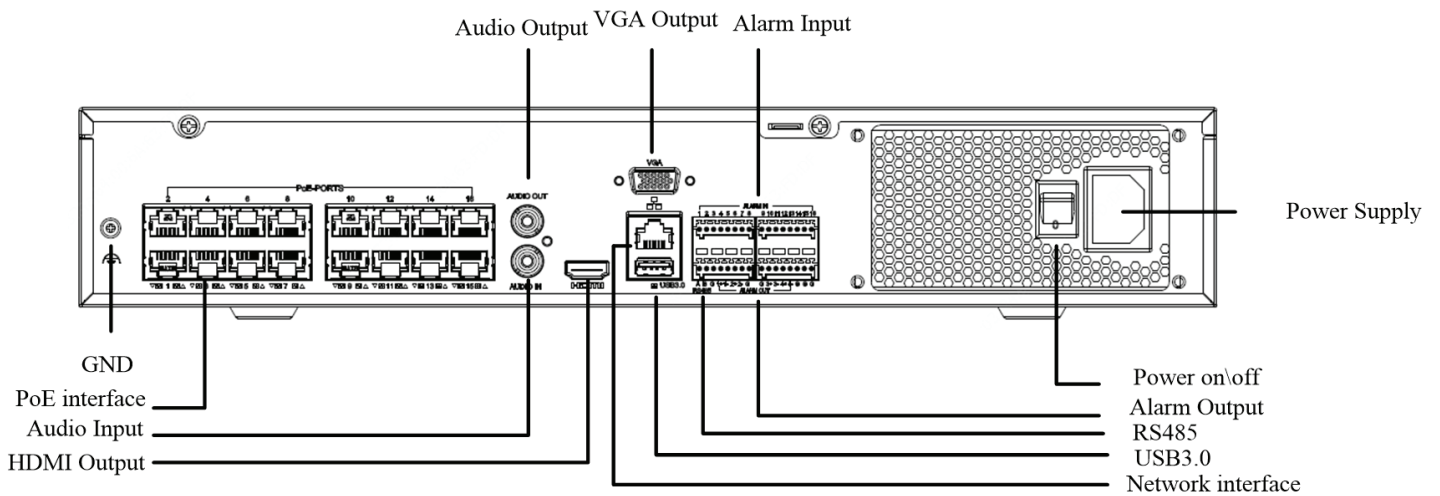
Video/Audio Input		
IP Video Input	32-ch	
Two-way Audio Input	1-ch, RCA	
Network		
Incoming Bandwidth	160Mbps	
Outgoing Bandwidth	64Mbps	
Remote Users	128	
Protocols	P2P, UPnP, NTP, DHCP, PPPoE	
Video/Audio Output		
HDMI/VGA Output	HDMI: 4K (3840x2160@30), 1920X1080@60, 1920X1080@50, 1600X1200@60, 1280X1024@60, 1280X720@60, 1024X768@60 VGA: 1920X1080@60, 1920X1080@50, 1280X1024@60, 1280X720@60, 1024X768@60	
Recording Resolution	8MP/6MP/5MP/4MP/3MP/1080p/960p/720p/D1/2CIF/CIF	
Audio Output	1-ch, RCA	
Synchronous Playback	16-ch	32-ch
Corridor Mode Screen	3/4/5/7/9/10/12/16	3/4/5/7/9/10/12/16/32
Decoding		
Decoding format	Ultra265/H.265/H.264	
Live view/Playback	8MP/6MP/5MP/4MP/3MP/1080p/960p/720p/D1/2CIF/CIF	
Capability	2 x 4K@30, 4x 4MP@30, 5 x 3MP@30, 8 x 1080P@30, 16 x 720P@30	2 x 4K@30, 4x 4MP@30, 5 x 3MP@30, 8 x 1080P@30, 16 x 720P@30, 32 x D1@30
Hard Disk		
SATA	4 SATA interfaces	
Capacity	Up to 10TB for each disk	
Smart		
VCA Detection	Face, intrusion, cross line, audio, defocus, scene change, auto tracking, object left behind, and object removed	
VCA Search	Face and behavior search	
Statistical Analysis	People counting	
External Interface		
Network Interface	1 RJ-45 10M/100M/1000M self-adaptive Ethernet Interface	
USB Interface	Front panel: 1 x USB2.0, Rear panel: 1 x USB3.0	
Serial Interface	1 x RS485	
Alarm In	16-ch	
Alarm Out	4-ch	
PoE		
Interface	16 RJ-45 10M/100M self-adaptive Ethernet Interface	
Max Power	Max 30W for single port Max 240W in total	
Supported Standard	IEEE 802.3af/at	
General		
Power Supply	100 ~ 240 V AC Power Consumption: ≤15W(without HDD)	
Working Environment	-10°C~+ 55°C (+14°F~+131°F), Humidity ≤ 90% RH (non-condensing)	

Dimensions (WxDxH)	400mm x362mm x 74mm (15.7" x 14.2" x2.9")
Weight (without HDD)	≤5kg (11.02lb)

## DIMENSIONS



## REAR PANEL



### Shipping Information:

Item	UPC Code	Package Dimensions	Package Weight	Qty/Carton
CyberView N32	744390952593	X	X	X/X