

## CYBERVIEW N32



### 32-CHANNEL NETWORK VIDEO RECORDER WITH PoE



**32**  
CHANNEL

**4K**

H.265

ONVIF

HDMI

VGA

Support  
4 SATA  
HDD

**40TB**  
MAX  
STORAGE



The Gyratation CyberView N32 Network Video Recorder (NVR) supports up to 32 IP cameras and provides up to 4K high-definition recording for your IP video surveillance applications. It is also compatible with Ultra 265, H.265, and H.264 video compression formats. The CyberView N32 is ideal for a variety of circumstances where image details are critical for identification, such as residential areas, retail stores, businesses, office buildings, hotels, transportation hubs, and many more. The embedded programming allows for centralized management of your IP camera settings, including configuration, information import/export, real-time information display, two-way audio, firmware upgrades, etc.

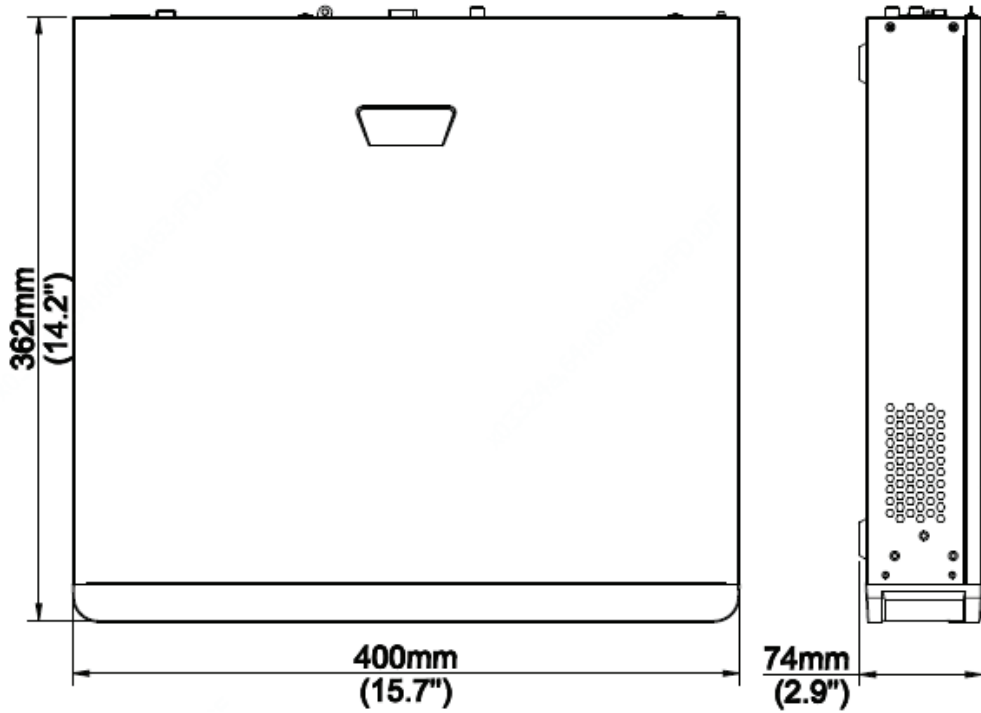
#### KEY FEATURES

- Support Ultra 265/H.265/H.264 video compression formats
- 32-channel input
- Compatible with third-party IP cameras supported with ONVIF conformance to: Profile S, Profile G, Profile T
- Supports 1-ch HDMI and 1-ch VGA output simultaneously
- HDMI and VGA simultaneous output
- Records HDMI at up to 4K(3840x2160) resolution
- 4 SATA HDD up to 10TB each HDD (sold separately)
- ANR technology to enhance the storage reliability when the network is disconnected
- Supports detection features such as face, intrusion, cross-line, audio, defocus, scene-change, auto-tracking, object left behind, and object removed. Also offers face search, behavior search, and people counting.
- Supports cloud-based firmware upgrades

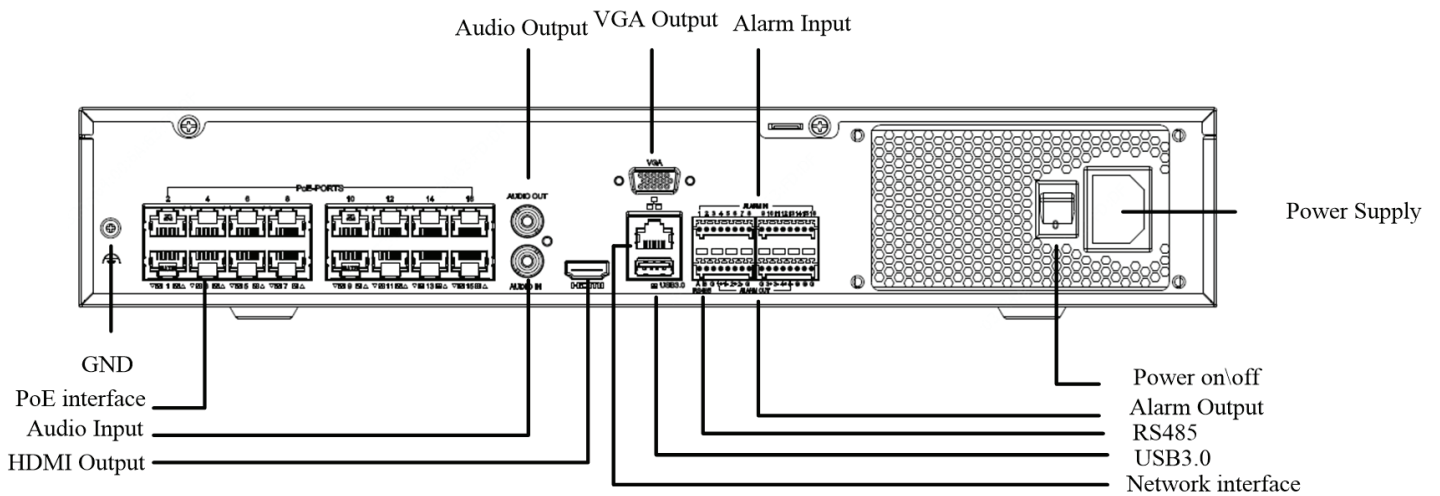
| Video/Audio Input    |  |
|----------------------|--|
| IP Video Input       | 32-ch  |
| Two-way Audio Input  | 1-ch, RCA  |
| Network              |  |
| Incoming Bandwidth   | 160Mbps  |
| Outgoing Bandwidth   | 64Mbps   |
| Remote Users         | 128  |
| Protocols            | P2P, UPnP, NTP, DHCP, PPPoE  |
| Video/Audio Output   |  |
| HDMI/VGA Output      | HDMI:<br>4K (3840x2160@30), 1920X1080@60, 1920X1080@50, 1600X1200@60, 1280X1024@60, 1280X720@60, 1024X768@60<br>VGA:<br>1920X1080@60, 1920X1080@50, 1280X1024@60, 1280X720@60, 1024X768@60 |
| Recording Resolution | 8MP/6MP/5MP/4MP/3MP/1080p/960p/720p/D1/2CIF/CIF  |
| Audio Output         | 1-ch, RCA  |
| Synchronous Playback | 32-ch  |
| Corridor Mode Screen | 3/4/5/7/9/10/12/16/32  |
| Decoding             |  |
| Decoding format      | Ultra265/H.265/H.264   |
| Live view/Playback   | 8MP/6MP/5MP/4MP/3MP/1080p/960p/720p/D1/2CIF/CIF  |
| Capability           | 2 x 4K@30, 4x 4MP@30, 5 x 3MP@30, 8 x 1080P@30, 16 x 720P@30, 32 x D1@30   |
| Hard Disk            |  |
| SATA                 | 4 SATA interfaces  |
| Capacity             | Up to 10TB for each disk   |
| Smart                |  |
| VCA Detection        | Face, intrusion, cross line, audio, defocus, scene change, auto tracking, object left behind, and object removed   |
| VCA Search           | Face and behavior search   |
| Statistical Analysis | People counting  |
| External Interface   |  |
| Network Interface    | 1 RJ-45 10M/100M/1000M self-adaptive Ethernet Interface  |
| USB Interface        | Front panel: 1 x USB2.0, Rear panel: 1 x USB3.0  |
| Serial Interface     | 1 x RS485  |
| Alarm In             | 16-ch  |
| Alarm Out            | 4-ch   |
| PoE                  |  |
| Interface            | 16 RJ-45 10M/100M self-adaptive Ethernet Interface   |
| Max Power            | Max 30W for single port<br>Max 240W in total   |
| Supported Standard   | IEEE 802.3af/at  |
| General              |  |
| Power Supply         | 100 ~ 240 V AC<br>Power Consumption: ≤15W(without HDD)   |
| Working Environment  | -10°C~+ 55°C (+14°F~+131°F), Humidity ≤ 90% RH (non-condensing)  |

|                      |   |
|----------------------|---|
| Dimensions (WxDxH)   | 400mm x362mm x 74mm (15.7" x 14.2" x2.9") |
| Weight (without HDD) | ≤5kg (11.02lb)                            |

## DIMENSIONS



## REAR PANEL



### Shipping Information:

| Item          | UPC Code     | Package Dimensions | Package Weight | Qty/Carton |
|---------------|--------------|--------------------|----------------|------------|
| CyberView N32 | 744390952593 | 19.2 x 7.6 x 18.9  | 12.5 Lbs       | 2          |