

UA-CR510F2 5MP Super Low Lux IR Eyeball Dome Camera



- 1/2.7" progressive scan CMOS sensor
- IR distance up to 20 m (65 ft)
- Built-in microphone
- Ingress protection (IP66)
- 4 in 1 (TVI / AHD / CVI / CVBS)

UA-CR510F2 is an outdoor, 5 MP HD Analog Camera with an automatic IR-cut filter. It is built in 18 IR LEDs for day and night surveillance, with IR illumination reaching up to 20 m (65 ft). The camera adheres to IP66 standards and supports a 4-in-1 video output (TVI / AHD / CVI / CVBS). Integrated with USA Vision Standalone Video Recorder (UA-XVL810, UA-XVL1610 and UA-XVR810), it supports real-time alert, event playback and more.

Specifications

Video		
Imaging Device		1/2.7"
Scanning System		Progressive CMOS
Min. Illumination	Color	0.05 Lux @ F1.2 (AGC ON)
	B/W	0 Lux
	IR ON	0 Lux
Video Output		TVI/AHD/CVI/CVBS
Lens Type		
Lens Type		Fixed
Focal Length (Zoom Ratio)		2.8 mm
Maximum Aperture		F/1.6
Mount		M12
Field of View		Horizontal: 111.4°, Vertical: 58.8°, Diagonal: 134°
Operation	Focus	Fixed
	Zoom	Fixed
	Iris	Fixed
Operational		
Resolution		5MP: 2592 (H) x 1944 (V)
Max. Frame Rate		AHD / TVI: 5 MP @20 fps AHD / CVI / TVI: 4MP, PAL@25fps, NTSC@30fps CVBS: 960H
IR LED Quantity		18 IR LEDs
Max. IR Distance		20 m (65 ft)
Day/Night Mode		Color / B&W / EXT
Backlight Compensation		Off / User BLC
Digital Noise Reduction		2D DNR
Gain Control		Auto
White Balance		ATW

Flip/Mirror	Flip/Rotate/Mirror	
Image Setting	Exposure Mode, AGC, Day&Night Mode, Image Mode, AWB, Bright, Contrast, Saturation, Sharpness, NR (2D Noise Reduction), Flip, Mirror, Rotate, Reset	
Language	English/Spanish/French/Japanese	
Mechanical		
Camera Angle Adjustment	Pan	0° ~ 360°
	Tilt	0° ~ 80°
	Rotate	0° ~ 360°
Connectors	Power	DC jack
	Video Output	1 channel BNC
	Audio	1 in (built-in microphone) * The built-in microphone is only activated in TVI video output.
General		
Operating Conditions	-30 ~ 55°C (-22°F ~ 131°F)/less than ≤ 95% RH	
Storage Conditions	-30 ~ 60°C (-22°F ~ 140°F)/less than ≤ 95% RH	
Power Source	12V DC, 1A	
Power Consumption	IR OFF ≤ 1W, IR ON ≤ 4W	
Color/Material	Metal	
Dimension (L × W × H)	Ø 100 x 90 mm (Ø 3.9" x 3.5")	
Weight	410 g (0.90lb)	
Ingress Protection	IP66	
Regulatory	FCC, RoHS compliant	

Note: Product design and specifications are subject to change without notice.

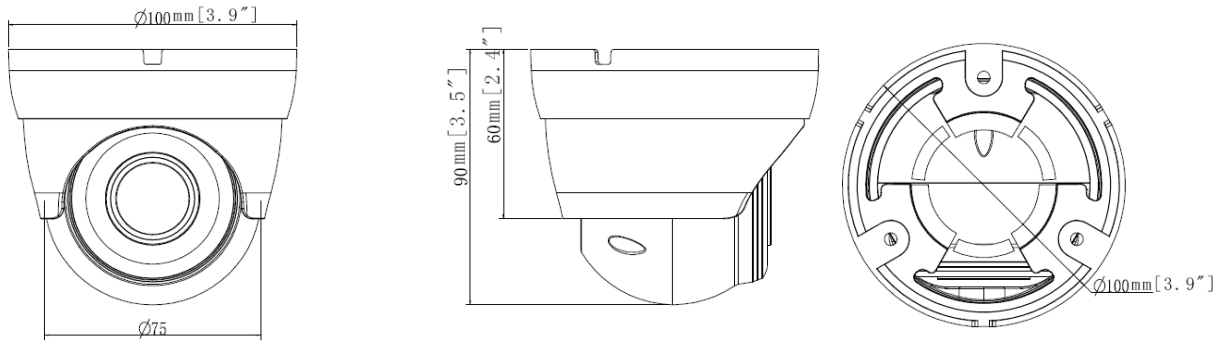
USA Vision Products Supported

- Standalone Video Recorder: UA-XVL810 / UA-XVL1610 / UA-XVR810




Packing List

1. UA-CR510F2
2. Screw Kit
3. Drill Template Paster
4. Download Guide

Dimensions



Accessories

Model No.	Name		Details
UA-Mount215	Wall Mount Bracket		Dimensions: 155 x 75 x 132 mm (6.1" x 2.95" x 5.2") Weight: 0.62 kg (1.37 lb)
UA-Mount505	Wall Box Mount		Dimensions: $\varnothing 100.5 \times 56\text{ mm}$ ($\varnothing 3.96" \times 2.2"$) Weight: 0.46 kg (1.01 lb)
UA-Mount922	Power Box Mount Bracket		Dimensions: $\varnothing 148.00\text{ mm}$ ($\varnothing 5.83"$) Weight: 180 g (0.4 lb)