

TI-NCD04A4

4MP IR Mini Dome Network Camera



Key Features

- ✓ 1/2.8" progressive scan CMOS
- ✓ Max. 4MP(2592×1520) @30fps resolution
- ✓ 4mm fixed lens
- ✓ WDR, 3D DNR, ROI, HLC, BLC, IVS
- ✓ Support face, human, vehicle detection and capture
- ✓ Built-in micro SD slot, IP66, PoE

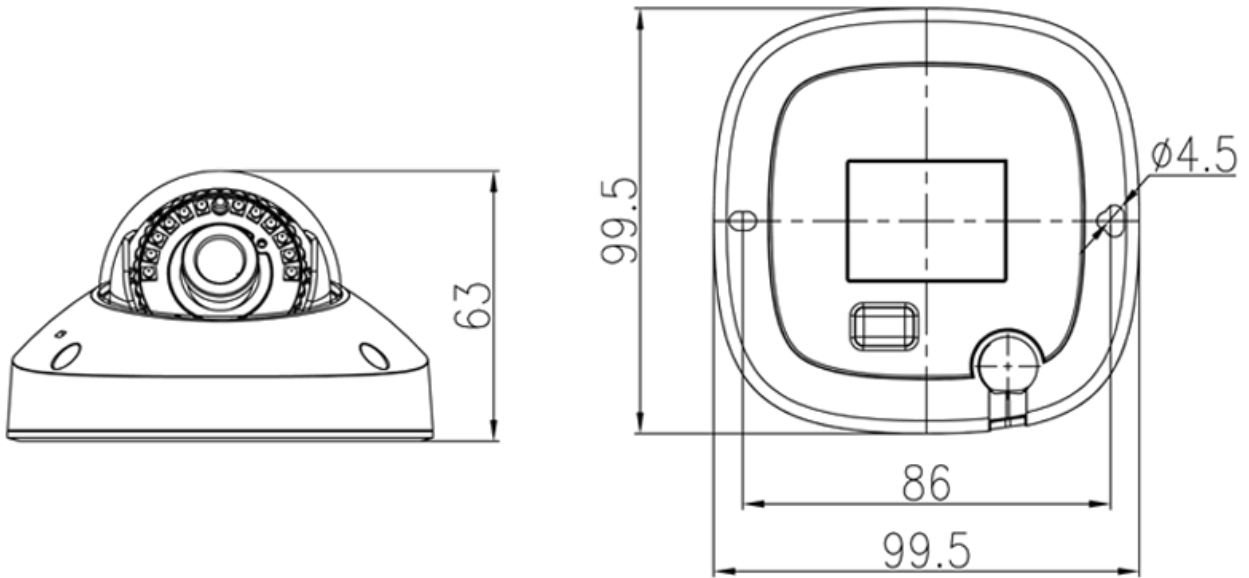


SPECIFICATIONS

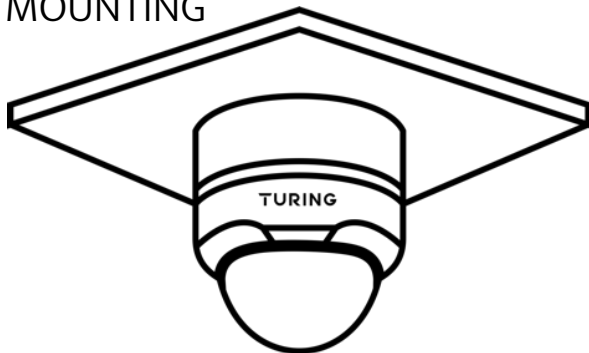
CAMERA		INTERFACES	
IMAGE SENSOR	1/2.8", 4.0 megapixel, progressive scan, CMOS	AUDIO	Built-in Mic
LENS	4mm@F2.0	NETWORK INTERFACE	1 Ethernet (10/100 Base-T) RJ-45 Connector
ANGLE OF VIEW (H)	97.4°	NETWORK PROTOCOLS	IPv4/IPv6, 802.1x, HTTP, HTTPS, TCP/IP, UDP/IP, RTSP, DHCP, NTP, RTP/RTCP, PPPoE, SMTP, DNS, UPnP, FTP, ARP, SNMP, TLS/SSL
ADJUSTMENT ANGLE	Pan:±45°, Tilt:0° ~ 90°, Rotate:0° ~ 360°	3RD-PARTY COMPATIBILITY	ONVIF, SDK, CGI
ELECTRONIC SHUTTER	Auto/Manual, 1/5 ~ 1/20000s	SUPPORTED BROWSER	<IE11, Chrome, Firefox, Microsoft Edge
MINIMUM ILLUMINATION	Color: 0.003Lux (F1.2, AGC ON), 0Lux with IR	CERTIFICATIONS	
DAY/NIGHT	IR-cut filter with auto switch (ICR)	CERTIFICATIONS	CE/FCC
S/N RATIO	55dB	GENERAL	
IR RANGE	Up to 15m (49.2ft) IR range	POWER REQUIREMENT	DC 12V, PoE (IEEE 802.3af)
WIDE DYNAMIC RANGE	120 dB	POWER CONSUMPTION	Max 6.0 W
VIDEO & AUDIO		DIMENSIONS	99.5 × 99.5 × 63 mm (3.92 × 3.92 × 2.48 inch)
RESOLUTION & FRAME RATE	Stream1: 2592×1520, 2560×1440, 2304×1296, 1920×1080, 1280×720 @ 25/30fps Stream2: D1, VGA, 640×360, CIF, QVGA @ 25/30fps Stream3: VGA, CIF, QVGA @ 25/30fps	NET WEIGHT	0.38 kg (0.84 lb)
WHITE BALANCE	Auto	MATERIAL	Metal + Plastic
NOISE REDUCTION	2D/3D DNR	WORKING ENVIRONMENT	-40°C ~ 55°C (-40°F ~ 131°F), Humidity: <90% RH
AUDIO COMPRESSION	G.711, RAW_PCM	WATER PROTECTION	IP66
AUDIO SAMPLING RATE	8kbps, 16kbps, 64kbps	COMPATIBLE NVRS	
VIDEO INTELLIGENCE	Line crossing detection, Intrusion detection, enter area detection, exit area detection, and face capture	Turing Advantage NVR series, including TN-NRP042T, TN-NRP082T, TN-NRP084T and TN-NRP164T	



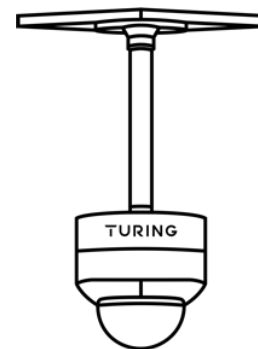
DIMENSIONS (mm)



MOUNTING

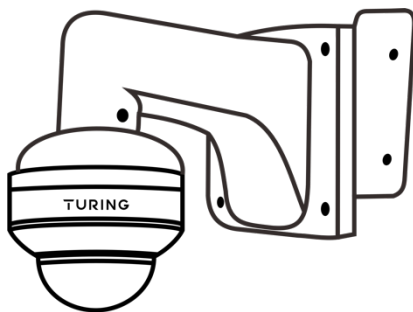


Junction Box: TI-CDJB



Pole Mount: TI-ADPM

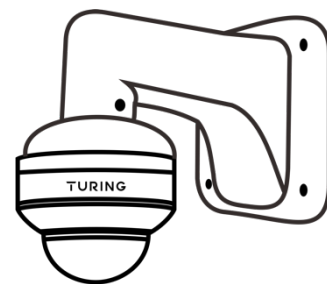
Pendant Cap: TI-CDPC



Wall Mount: TI-ADWM

Pendant Cap: TI-CDPC

Corner Mount: TI-ADCM



Wall Mount: TI-ADWM

Pendant Cap: TI-CDPC

