

TI-NED044

4MP IR Turret Network Camera



Key Features

- ✓ 1/2.8" progressive scan CMOS
- ✓ Max. 4MP(2592×1520) @30fps resolution
- ✓ 4mm fixed lens
- ✓ WDR, 3D DNR, ROI, HLC, BLC, IVS
- ✓ Support face, human, vehicle detection and capture
- ✓ Built-in micro SD slot, IP66, PoE



SPECIFICATIONS

CAMERA	
IMAGE SENSOR	1/2.8", 4.0 megapixel, progressive scan, CMOS
LENS	4mm@F2.0
ANGLE OF VIEW (H)	97.4°
ADJUSTMENT ANGLE	Pan:0° ~ 360°, Tilt:0° ~ 90°, Rotate:0° ~ 360°
ELECTRONIC SHUTTER	Auto/Manual, 1/5 ~ 1/20000s
MINIMUM ILLUMINATION	Color: 0.003Lux (F1.2, AGC ON), 0Lux with IR
DAY/NIGHT	IR-cut filter with auto switch (ICR)
S/N RATIO	55dB
IR RANGE	Up to 30m (98.4ft) IR range
WIDE DYNAMIC RANGE	120 dB
VIDEO & AUDIO	
RESOLUTION & FRAME RATE	Stream1: 2592×1520, 2560×1440, 2304×1296, 1920×1080, 1280×720 @ 25/30fps Stream2: D1, VGA, 640×360, CIF, QVGA @ 25/30fps Stream3: VGA, CIF, QVGA @ 25/30fps
WHITE BALANCE	Auto
NOISE REDUCTION	2D/3D DNR
AUDIO COMPRESSION	G.711, RAW_PCM
AUDIO SAMPLING RATE	8kbps, 16kbps, 64kbps
VIDEO INTELLIGENCE	Line crossing detection, Intrusion detection, enter area detection, exit area detection, and face capture

INTERFACES	
NETWORK INTERFACE	1 Ethernet (10/100 Base-T) RJ-45 Connector
NETWORK PROTOCOLS	IPv4/IPv6, 802.1x, HTTP, HTTPS, TCP/IP, UDP/IP, RTSP, DHCP, NTP, RTCP/RTP, PPPoE, SMTP, DNS, UPnP, FTP, ARP, SNMP, TLS/SSL
3RD-PARTY COMPATIBILITY	ONVIF, SDK, CGI
SUPPORTED BROWSER	<IE11, Chrome, Firefox, Microsoft Edge

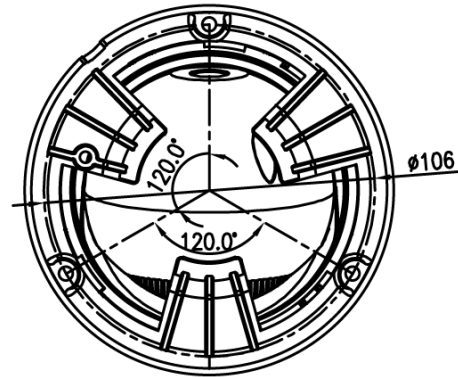
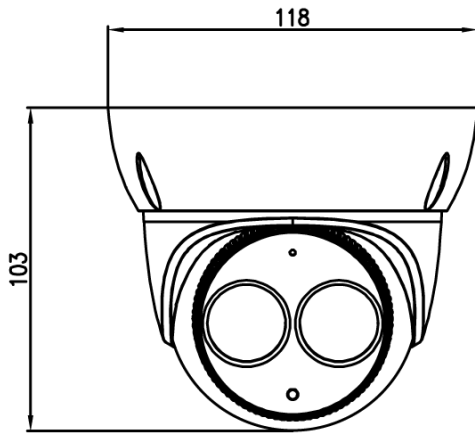
CERTIFICATIONS	
CERTIFICATIONS	CE/FCC

GENERAL	
POWER REQUIREMENT	DC 12V, PoE (IEEE 802.3af)
POWER CONSUMPTION	Max 6.0 W
DIMENSIONS	φ118 × 103mm (φ4.65" × 4.06")
NET WEIGHT	0.5 kg (1.1 lb)
MATERIAL	Metal
WORKING ENVIRONMENT	-40°C ~ 55°C (-40°F ~ 131°F), Humidity: <90% RH
WATER PROTECTION	IP66

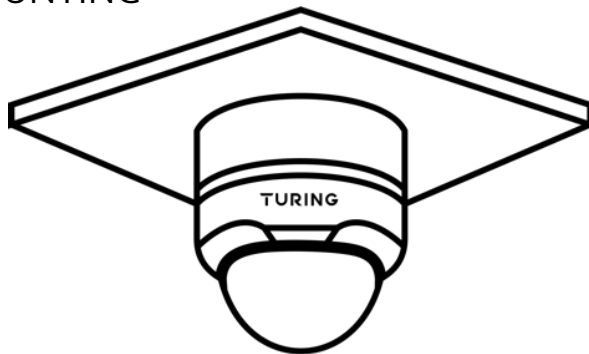
COMPATIBLE NVRS
 Turing Advantage NVR series, including TN-NRP042T, TN-NRP082T, TN-NRP084T and TN-NRP164T



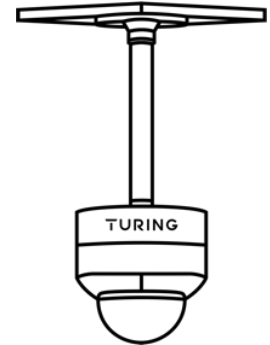
DIMENSIONS (mm)



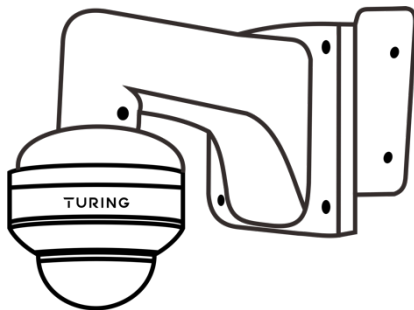
MOUNTING



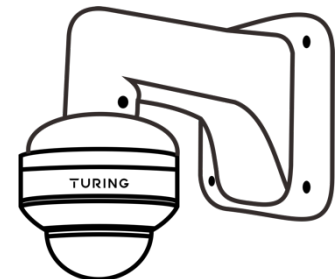
Junction Box: TI-EDJB



Pole Mount: TI-ADPM
Pendant Cap: TI-EDPC



Wall Mount: TI-ADWM
Pendant Cap: TI-EDPC
Corner Mount: TI-ADCM



Wall Mount: TI-ADWM
Pendant Cap: TI-EDPC

