



\* All images are for illustrative purposes only.

**INDOOR** LG LED SIGNAGE

# LSCB Ultra Slim Series



Ultra Slim Depth



Easy & Seamless Installation



16:9 FHD/UHD Configuration



90° Corner Design Available



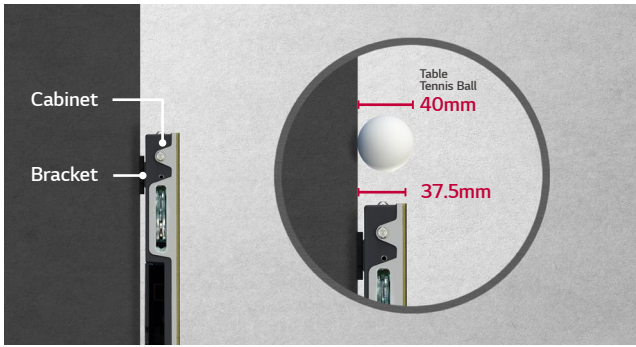
EMC Class B Certified & Fire Resistant Design



User-Specific Customization

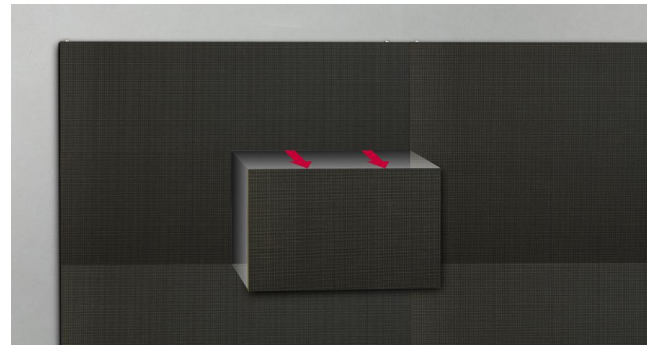


Compatibility with LG Software Solutions



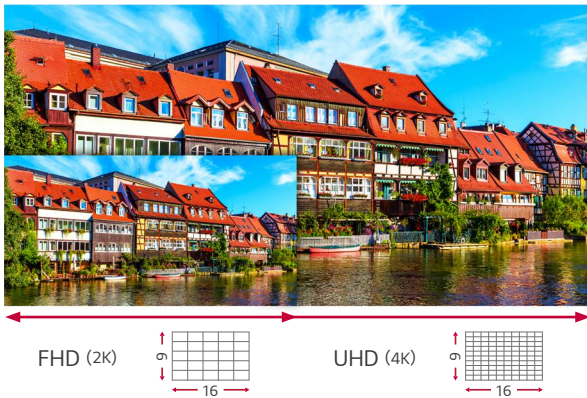
### Ultra Slim Depth

Its ultra-slim design with 37.5 mm edge thickness is the biggest advantage of the product. This feature enables the LSCB series to be installed and utilized in any type of venues without restriction.



### Easy & Seamless Installation

The LSCB series can be easily installed and managed from the front side for easy operation. Thanks to this feature, no additional space for maintenance behind the product is required. Its LED modules can also be simply attached or detached with a magnetic tool.



### 16:9 FHD/UHD Configuration

Each cabinet uses a 16:9 aspect ratio, the same most commonly used in displays for FHD and UHD content. This allows you to keep using existing content without additional cost and time for editing.

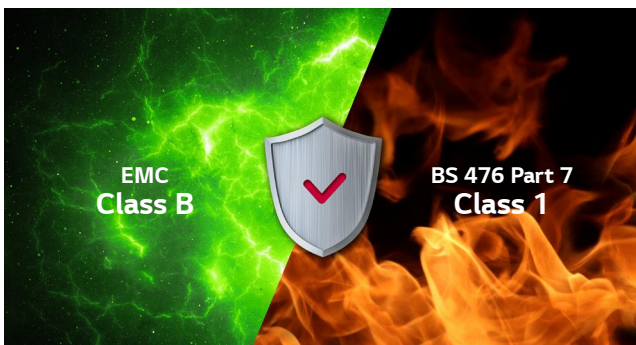


Conventional

90° Corner Option Applied

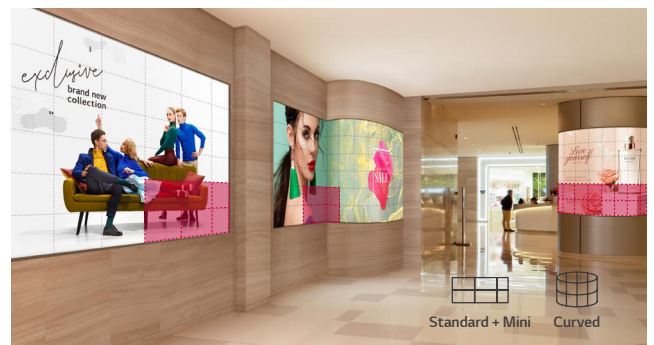
### 90° Corner Design Available

If you add 90° corner option, the LSCB series fits naturally into the space and delivers smooth & flawless content to customers.



### EMC Class B Certified & Fire Resistant Design

The LSCB series is safe from electromagnetic waves, which are harmful to the environment and human body, with EMC Class B certification and is designed with fire protection certification to prevent the fast spread of flames even if it catches on fire.



### User-specific Customization

LSCB series provides a mini and curved cabinet to implement various types of screens required by users such as customized curvature, concave, and convex.

\* Left & right side cutting

\* Depending on the radius, the unit case dimension size changes.

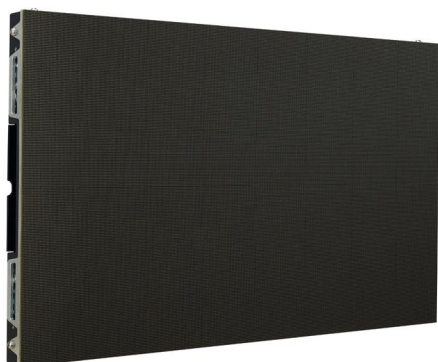


## Compatibility with LG Software Solutions

Powered by LG’s high performance system controller, the LSCB series is compatible with LG software solutions including SuperSign CMS, LED Assistant, and ConnectedCare, which help customers operate their own business flawlessly.

- \* The availability of the 'LG ConnectedCare' service differs by region, and it needs to be purchased separately. So please contact the LG sales representative in your region for more details.
- \* The items that can be monitored by LG ConnectedCare : Main Board (Temp, Signal Status, FPGA Ver, Ethernet Connection Status), Receiving Card (Temp, LED Power)

## PRODUCT INFORMATION

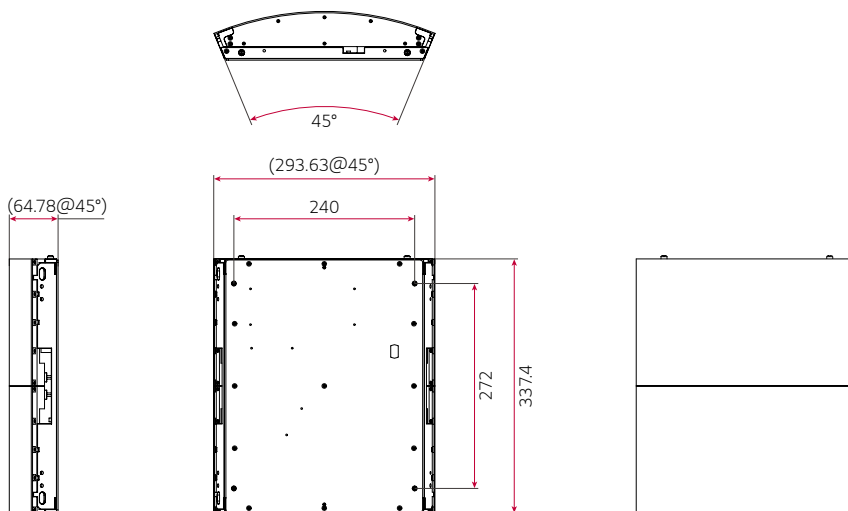
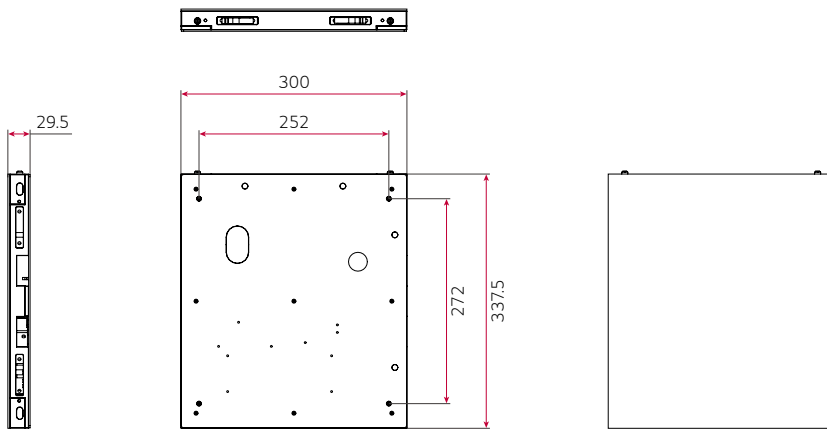
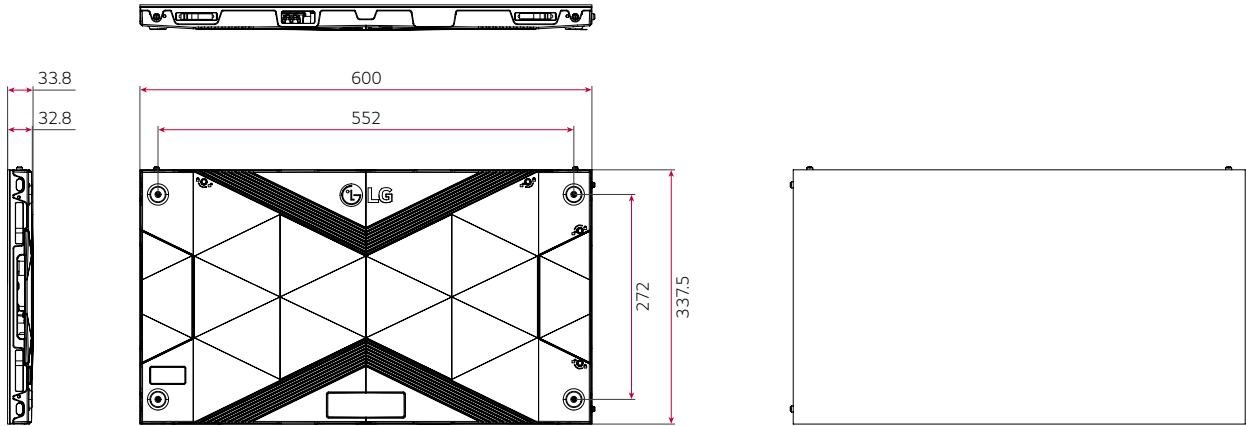


### LSCB Series

Pixel Pitch	1.563 / 1.875 / 2.500 mm
Brightness	800 nit
Cabinet Weight	6.0 kg
Serviceability	Front
IP Rating	IP30

Cabinet	Standard	Mini	Curved
	600 × 337.5 mm	300 × 337.5 mm	300 × 337.5 mm
Pixel Pitch 1.5	LSCB015-RK	LSCB015-CK	LSCB015-CKF
Pixel Pitch P1.8	LSCB018-RK	LSCB018-CK	LSCB018-CKF
Pixel Pitch P2.5	LSCB025-RK	LSCB025-CK	LSCB025-CKF

## DIMENSION (unit: mm)



Download  
LG C-Display+  
Mobile App  
Google Play Store

[www.lg.com/global/business/information-display](http://www.lg.com/global/business/information-display)  
[www.youtube.com/c/LGCommercialDisplay](https://www.youtube.com/c/LGCommercialDisplay)  
[www.facebook.com/LGInformationDisplay](https://www.facebook.com/LGInformationDisplay)  
[www.linkedin.com/company/lginformationdisplay](https://www.linkedin.com/company/lginformationdisplay)  
[twitter.com/LG\\_ID\\_HQ](https://twitter.com/LG_ID_HQ)

LG may make changes to specifications and product descriptions without notice. Copyright © 2021 LG Electronics Inc. All rights reserved. "LG Life's Good" is a registered trademark of LG Corp. The names of products and brands mentioned here may be the trademarks of their respective owners.