

WIFI ANTENNA

Antenna WiFi Stick, 2.4 GHz, 5 dBi
SMA-RP(pin f), RG316/1 m

BB-AW-A24G-M5SRP

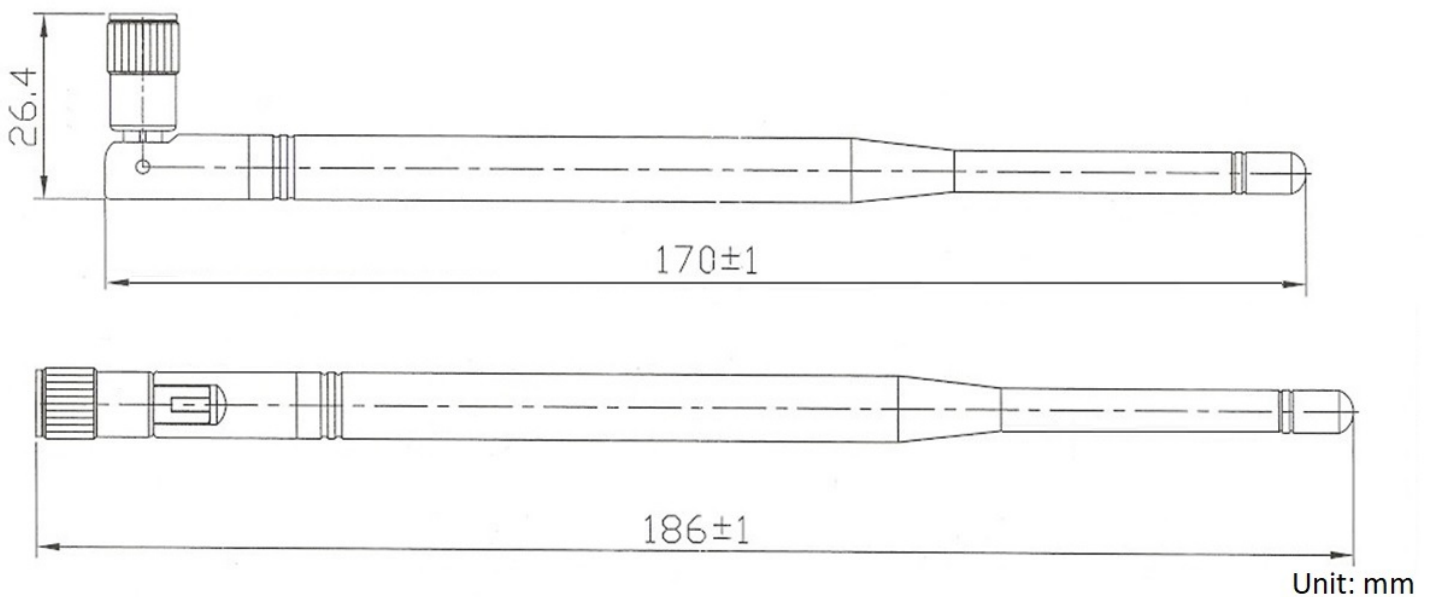


BENEFITS

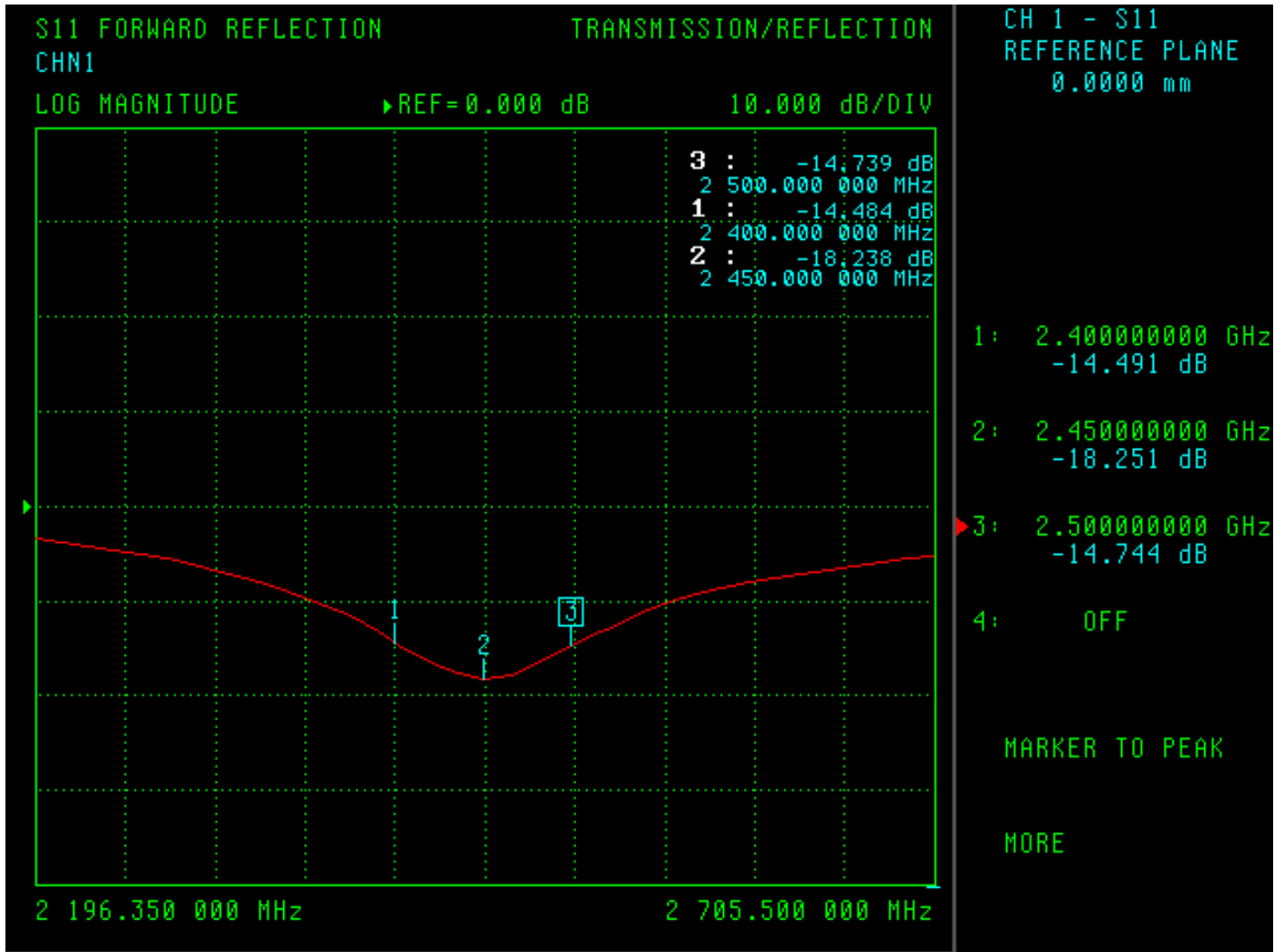
- Low VSWR
- Easy installation
- High gain

Technology	Wi-Fi
Frequency bands	2400 MHz
Bandwidth	-
Gain	5 dBi
VSWR	<2:1
Impedance	50 Ohm
Directivity	Omnidirectional
Beam angle	H 360° V 30°
Polarization	Vertical
Maximum input power	10 W
Power voltage	-
Dimensions	90°: 170 x 26.4; 180°: \varnothing 10 x 186 mm
Weight	15.10 g
Operating temperature	-20 to +60 °C
Execution	External
Method of attachment	Screw
Cable type	-
The cable length	-
Connector type	SMA-RP (pin f)

DRAWING



GRAPH- S11



Frequency (MHz)	Return Loss (dB)	VSWR	Gain (dBi)
2400	-14.49	1.47	5.02
2450	-18.25	1.279	4.93

RADIATION PATTERN

