

LTE ANTENNA

Antenna GSM/UMTS/LTE 7-9 dBi,
SMA(m), 3m/RG195

BB-AO-ALTE-MG9S-F

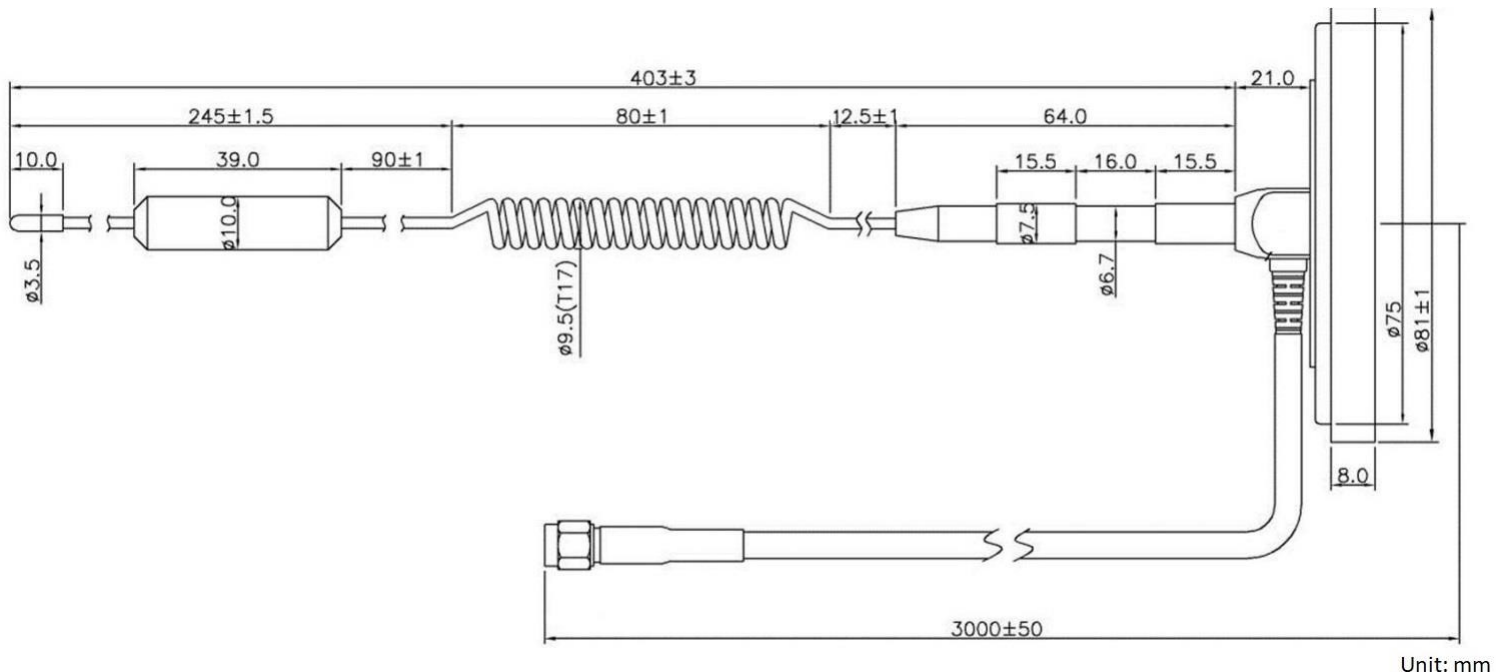
BENEFITS

- Low VSWR
- High gain



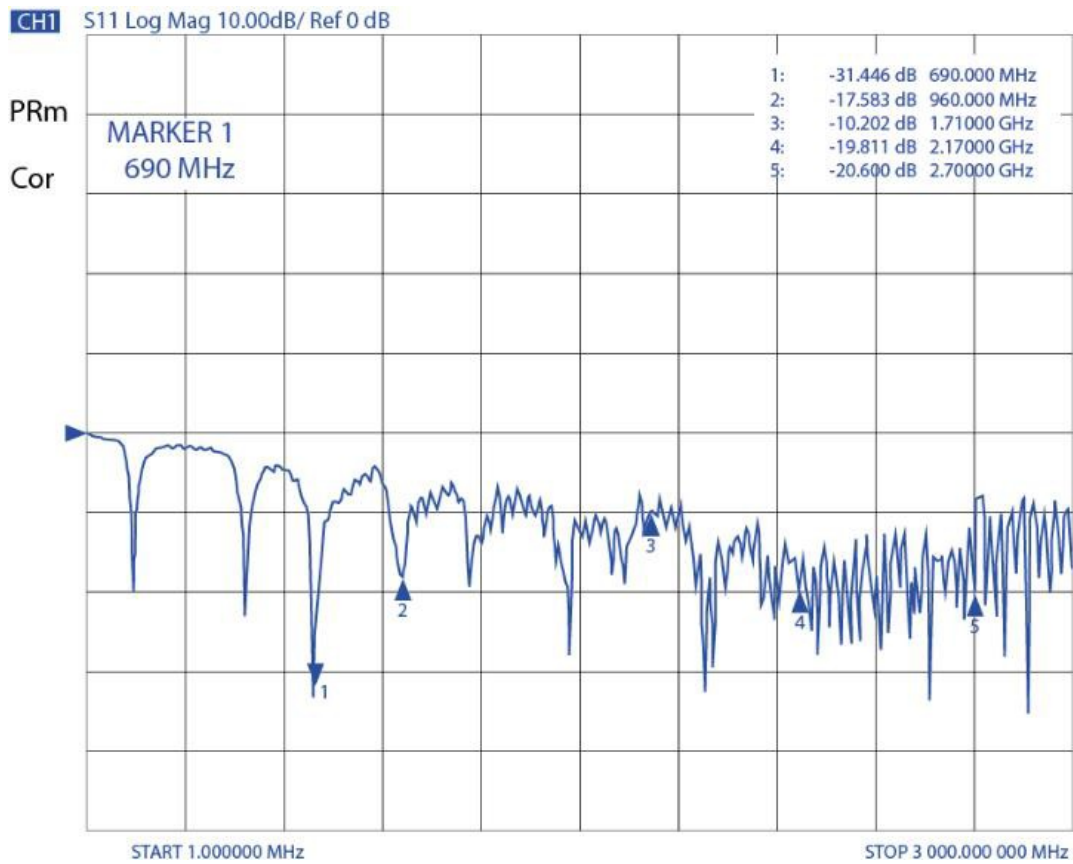
Technology	GSM/UMTS/LTE
Frequency bands	700/800/900/1700/1800/1900/2100/2500/2600/2700 MHz
Bandwidth	-
Gain	7-9 dBi
VSWR	<2.0:1
Impedance	50 Ohm
Directivity	Omnidirectional
Beam angle	H 360° V 30°
Polarization	Linear
Maximum input power	10 W
Power voltage	-
Dimensions	403 x Ø 81 mm
Weight	309.80 g
Operating temperature	-30 to +80 °C
Execution	External
Method of attachment	Magnetic
Cable type	RG195/U
The cable length	3 m
Connector type	SMA(m)
Certification	ISO 9001/ISO 14001

DRAWING

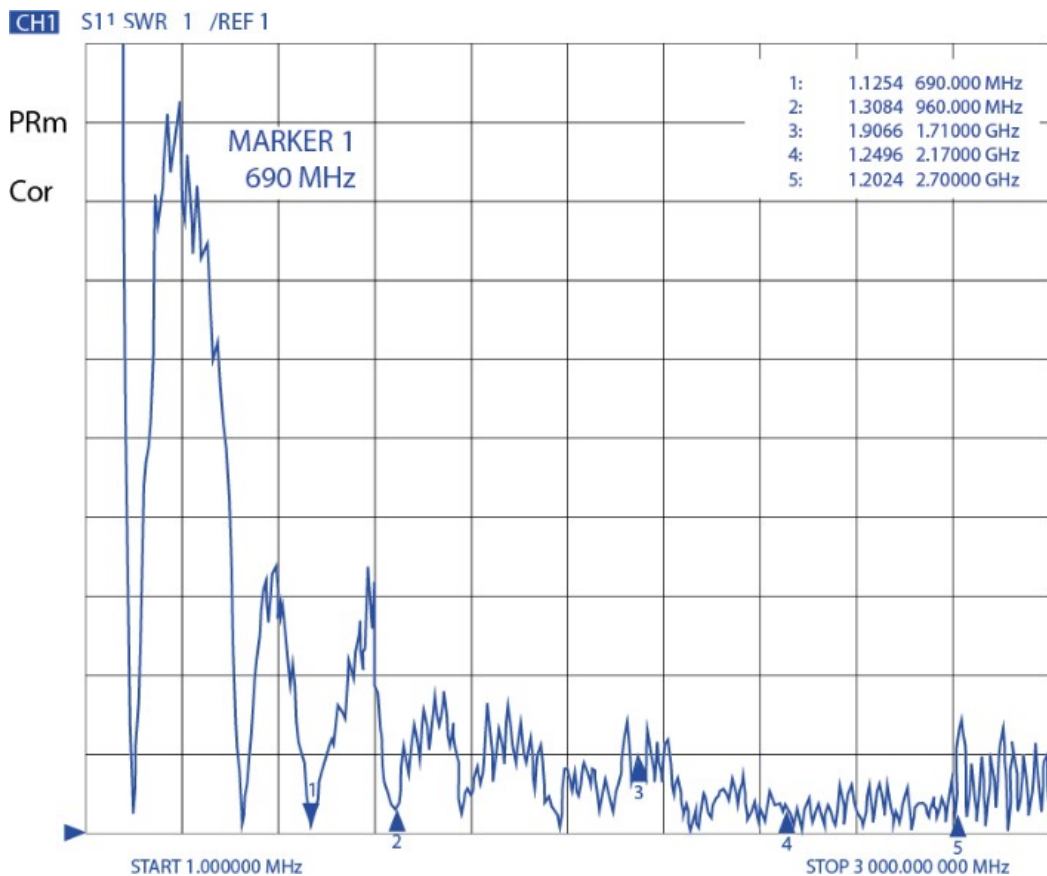


Unit: mm

Graph - S11



Graph - VSWR

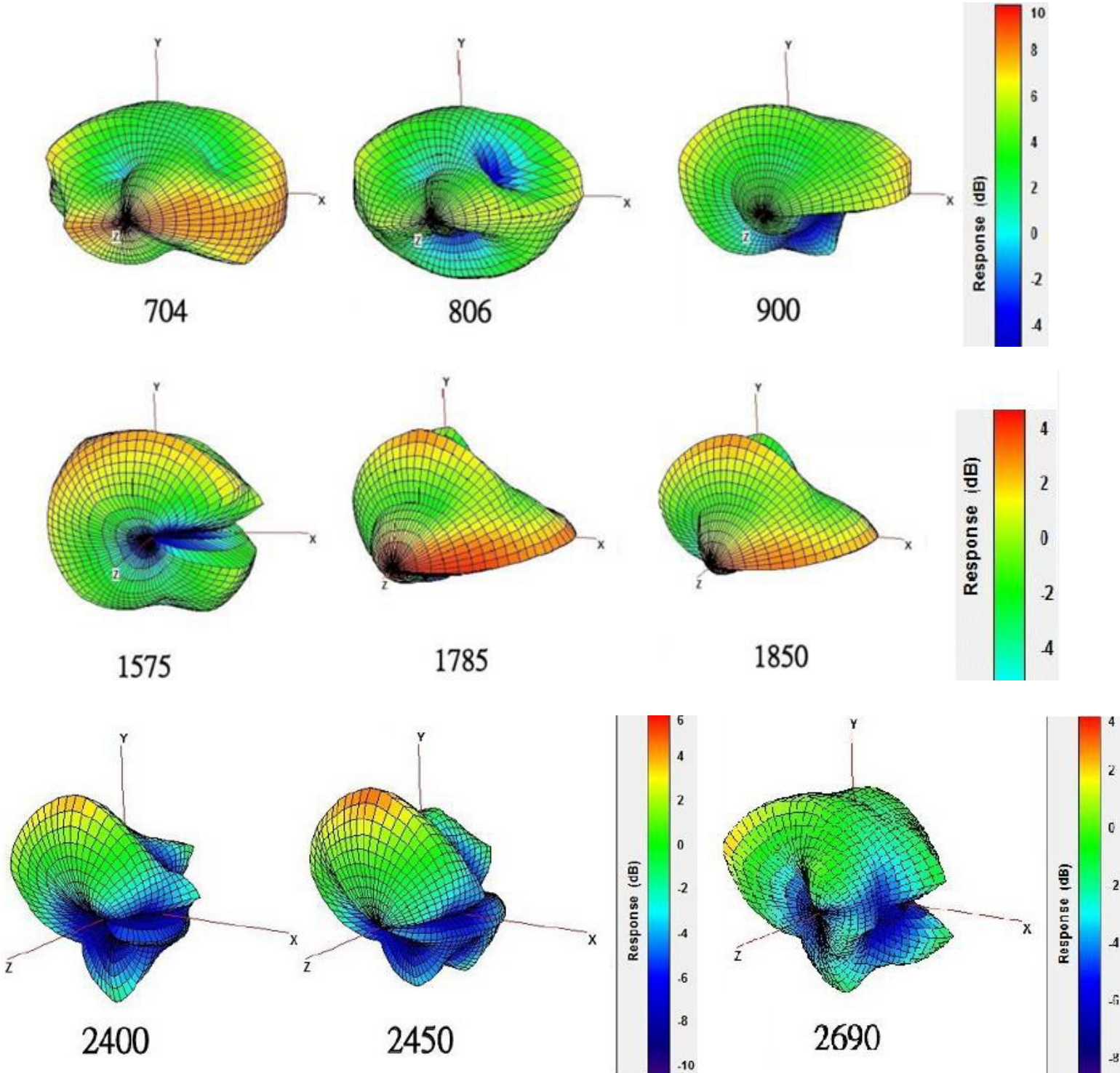


Return Loss					VSWR				
690 MHz	960 MHz	1710 MHz	2170 MHz	2700 MHz	690 MHz	960 MHz	1710 MHz	2170 MHz	2700 MHz
-31.44 dB	-17.58 dB	-10.20 dB	-19.81 dB	-20.60 dB	1.12	1.30	1.90	1.24	1.20

SIMULATED GRAPHS

BB-AO-ALTE-MG9S-F

3D RADIATION PATTERN



ALL VARIANTS

Different connector variants or cable lengths are available on request.