

A4X4



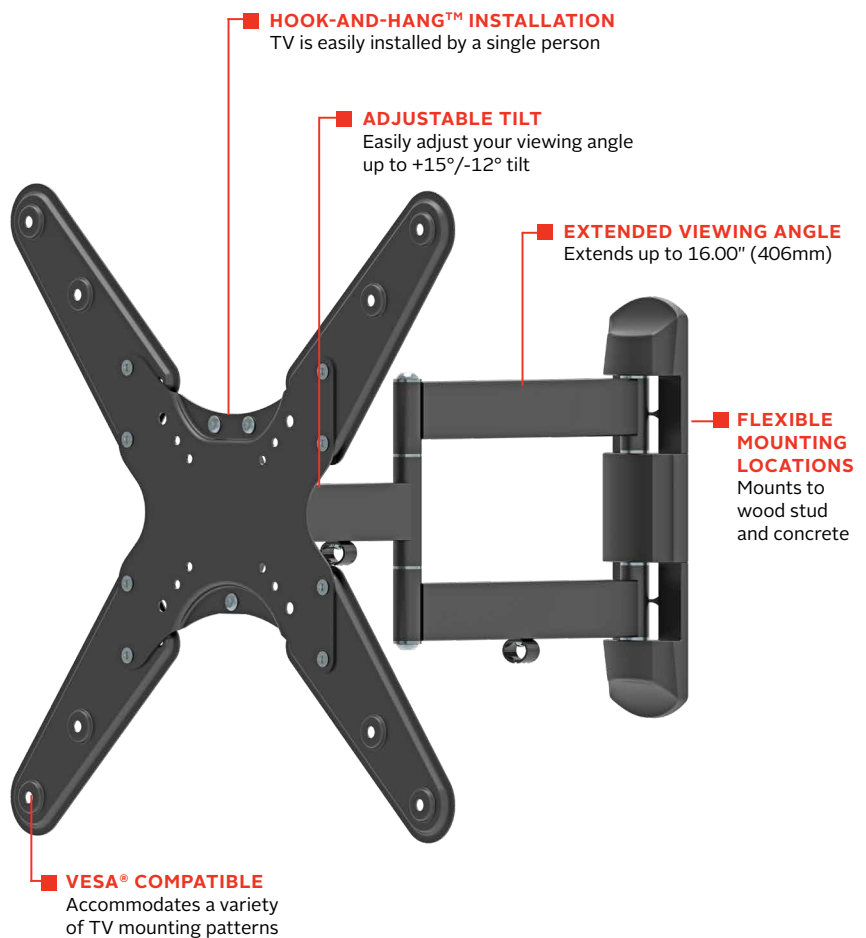
	Mounting Pattern	Max Load
	75 x 75, 100 x 100, 200 x 100, 200 x 200, 300 x 300, 400 x 200, 400 x 300 or 400 x 400mm	88lb (40kg)

- Positions TV only 2.13" (54mm) from the wall or extends up to 16.00" (406mm)
- Includes necessary wall and TV attachment hardware
- Accommodates VESA® 75 x 75, 100 x 100, 200 x 100, 200 x 200, 300 x 300, 400 x 200, 400 x 300 and 400 x 400mm mounting hole patterns
- Design is UL listed and tested to four times the stated load capacity
- Cable management provides a point to secure and route cables for safety and a clean look
- TV can be rotated left and right after installation for guaranteed leveling

Full-Motion Tilting Wall Mount

FOR 32" TO 50"+ DISPLAYS*

The Peerless-AV® Full-Motion Tilting Wall Mounts combine ease of installation with viewing flexibility. With A4X4, extend the TV up to 16.00" (406mm) or fully-retract it to just 2.13" (54mm) from the wall for the optimum viewing angle. The Hook-and-Hang™ system offers easy, one-person installation of the TV. The tilt is easily adjusted +15°/-12° with an allen key, reducing glare and optimizing the viewing angle. With the cable management feature, cables can be routed and secured for a clean and clutter-free look.



Please visit peerless-av.com/en-us/patents for patent information.

*This display size range is simply a guideline for product selection. Displays larger than the screen size range may still be compatible as long as they fall within the VESA® pattern and max weight of the Peerless-AV® product.

✉ info@peerless-av.com
🌐 peerless-av.com

peerless-AV®
Driving Technology Through Innovation

A4X4 Full-Motion Tilting Wall Mount for 32" to 50"+ Displays

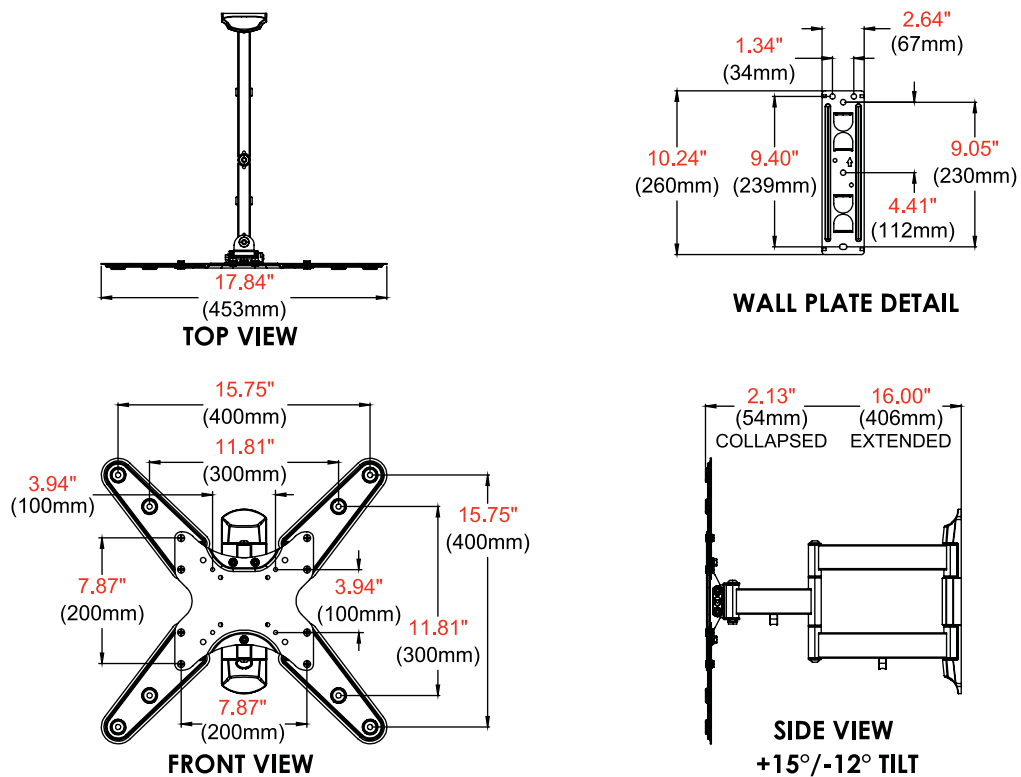
Product Specifications

	DIMENSIONS (W x H x D)	PRODUCT WEIGHT	LOAD CAPACITY	FINISH	AVAILABLE COLORS
A4X4	17.84" x 17.84" x 2.13"-16.00" (453 x 453 x 54 x 406mm)	6.5lb (2.9kg)	88lb (40kg)	Scratch Resistant Fused Epoxy	Matte Black

Package Specifications

	PACKAGE SIZE (W x H x D)	PACKAGE SHIP WEIGHT	PACKAGE UPC CODE	PACKAGE CONTENTS	UNITS IN PACKAGE
A4X4	11.30" x 10.50" x 2.60" (287 x 267 x 66mm)	7.4lb (3.4kg)	735029342601	Wall Mount, Wall and TV Installation Hardware, Level	1

All dimensions = **inch** (mm)



Architect Specifications

The Full-Motion Tilting Wall Mount shall be a Peerless-AV model A4X4 and shall be located where indicated on the plans. Assembly and installation shall be done according to instructions provided by the manufacturer.

Visit peerless-av.com to see the complete line of AV solutions from Peerless-AV, including outdoor displays, kiosks, display mounts, projector mounts, carts/stands, and a full assortment of accessories.

Peerless-AV
2300 White Oak Circle
Aurora, IL 60502 USA
(800) 865-2112
(630) 375-5100
Fax: (800) 359-6500

Peerless-AV EMEA
Unit 3 Watford Interchange
Colonial Way, Watford
Herts, WD24 4WP
United Kingdom
+44 (0) 1923 200100
Fax: +44 (0) 1923 200101

Peerless-AV Latin America
Av. de las Industrias 413
Parque Industrial Escobedo
General Escobedo, N.L.,
México, 66062
+52 (81) 8384-8300
Fax: +52 (81) 8384-8360

