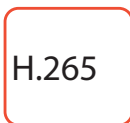


# CYBERVIEW N8



## 8-CHANNEL NETWORK VIDEO RECORDER WITH PoE



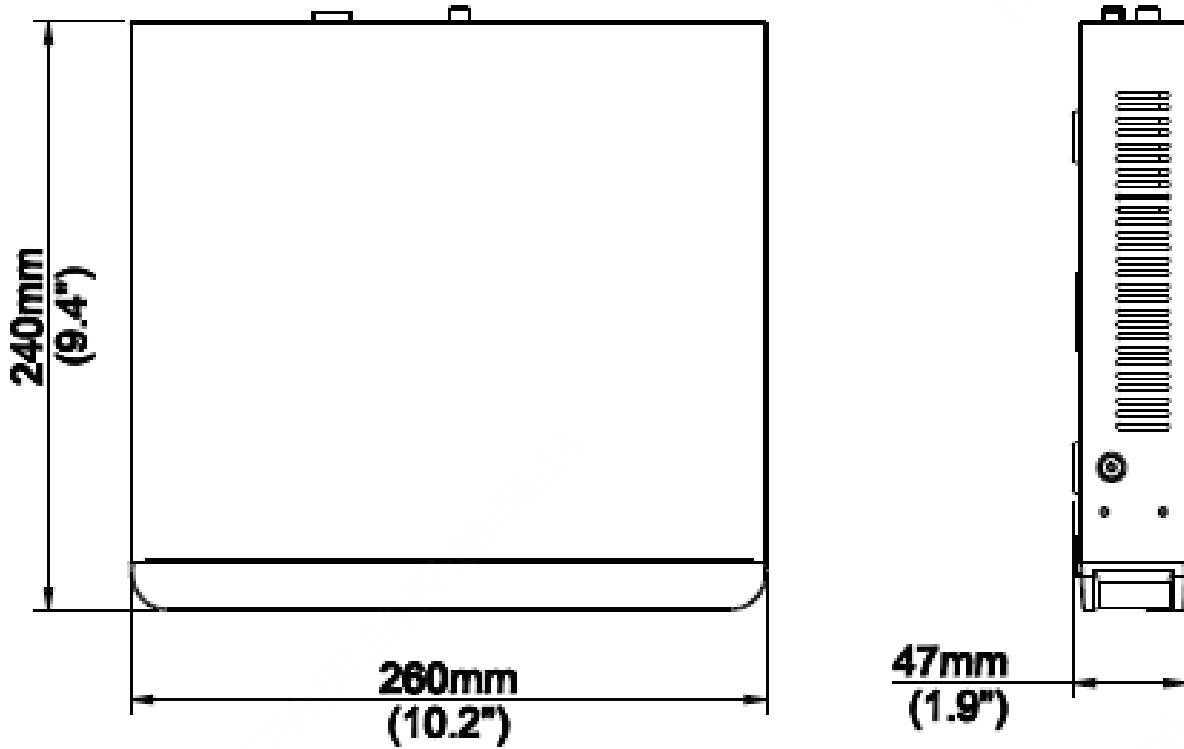
The Gyratation CyberView N8 Network Video Recorder (NVR) supports up to eight (8) IP cameras and provides up to 4K high-definition recording for your IP video surveillance applications. It is also compatible with Ultra 265, H.265, and H.264 video compression formats. The CyberView N8 is ideal for a variety of circumstances where image details are critical for identification, such as residential areas, retail stores, businesses, office buildings, hotels, transportation hubs, and many more. The embedded programming allows for centralized management of your IP camera settings, including configuration, information import/export, real-time information display, two-way audio, firmware upgrades, etc.

### KEY FEATURES

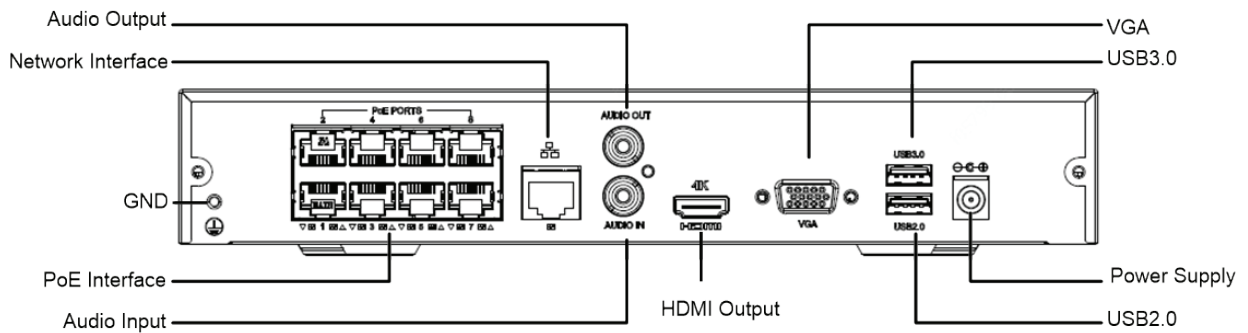
- Supports Ultra 265/H.265/H.264 video compression formats
- 8-channel input
- Compatible with third-party IP cameras supported with ONVIF conformance to: Profile S, Profile G, Profile T
- Supports 1-ch HDMI and 1-ch VGA output simultaneously
- Records HDMI at up to 4K(3840x2160) resolution
- 1 SATA HDD up to 6TB (sold separately)
- ANR technology enhances the storage reliability when the network is disconnected
- Supports detection features such as face, intrusion, cross-line, audio, defocus, scene-change, auto-tracking, object left behind, and object removed. Also offers face search, behavior search, and people counting.
- Supports cloud-based firmware upgrades

Video/Audio Input	
IP Video Input	8-ch
Two-way Audio Input	1-ch, RCA
Network	
Incoming Bandwidth	80Mbps
Outgoing Bandwidth	64Mbps
Remote Users	128
Protocols	P2P, UPnP, NTP, DHCP, PPPoE
Video/Audio Output	
HDMI/VGA Output	HDMI: 3840x2160/30Hz, 1920x1080p/60Hz, 1920x1080p/50Hz, 1600x1200/60Hz, 1280x1024/60Hz, 1280x720/60Hz, 1024x768/60Hz VGA: 1920x1080p/60Hz, 1920x1080p/50Hz, 1600x1200/60Hz, 1280x1024/60Hz, 1280x720/60Hz, 1024x768/60Hz
Recording Resolution	4K/5MP/4MP/3MP/1080p/960p/720p/D1/2CIF/CIF
Audio Output	1-ch, RCA
Synchronous Playback	4-ch
Corridor Mode Screen	3/4
Decoding	
Decoding format	Ultra 265/H.265/H.264
Liveview/Playback	4K/5MP/4MP/3MP/1080p/960p/720p/D1/2CIF/CIF
Capability	2 x 4k@30, 3 x 5MP@30, 4 x 4MP@30
Hard Disk	
SATA	1 SATA interface
Capacity	up to 6TB for each disk
Smart	
VCA Detection	Face, intrusion, cross line, audio, defocus, scene change, auto tracking, object left behind, and object removed
VCA Search	Face and behavior search
Statistical Analysis	People counting
External Interface	
Network Interface	1 RJ45 10M/100M self-adaptive Ethernet Interface
USB Interface	Rear panel: 1 x USB2.0, 1 x USB3.0
PoE	
Interface	4 RJ45 10M/100M self-adaptive Ethernet Interface
Max Power	Max 30W for single port Max 54W in total
Supported Standard	IEEE 802.3at, IEEE 802.3af
General	
Power Supply	48V DC Power Consumption: ≤9 W (without HDD)
Working Environment	-10°C ~ +55°C (+14°F ~ +131°F), Humidity ≤ 90% RH (non-condensing)
Dimensions (WxDxH)	260mm × 240mm × 47mm (10.2"×9.4"×1.9 ")
Weight (without HDD)	1kg (2.20 lb)

## DIMENSIONS



## REAR PANEL



### Shipping Information:

Item	UPC Code	Package Dimensions	Package Weight	Qty/Carton
CyberView N8	744390952579	10.2 x 9.4 x 1.9	2.2 Lbs	X/X