

Tensioned Contour Electrol

The Tensioned Contour® Electrol® is the latest ceiling or wall-mounted electric screen offering simple installation. A variety of finishes and veneer options make this a seamless addition to any room.

Tensioned screens ensure the smoothest surface possible.

Features

- All sizes standard with 12" of black drop except for Parallax which is standard with 2"
- Standard Silent Drive System to keep your screen whisper quiet (sizes up to 10'x10')
- Standard Low Voltage Control (LVC) to keep your screen operation flexible
- Smooth Roll Technology to keep your screen perfectly flat
- Slim-Tab, a lower profile, stronger tab design to keep your screen perfectly taut
- Simple Installation with a new installation kit and user-friendly packaging to keep you on schedule
- Support includes a comprehensive five-year warranty to keep you confident in your purchase
- Tensioning Cable System to prevent warping and ensure even lateral tension
- Available with SCB-100 or SCB-200 (RS-232 serial control board) built into the case (adds 3¾" to overall length of case)
- Available with Video Projector Interface (screen trigger) built into the case (adds 3¾" to overall length of case of 220V motor version)
- Decora-style, three-button wall switch
- Standard black backing retains projected brightness on front projection surfaces
- Seamless surfaces
- Standard white powder-coated aluminum finish; available in black finish upon request

Optional Accessories:

- Radio Frequency Wireless Remote
- Locking Switch Cover Plate
- Infrared Wireless Remote



16:9 HDTV Format

Viewing Area (H x W)		Nominal Diagonal	
in.	cm	in.	cm
45" x 80"	114 x 203	92"	234
52" x 92"	132 x 234	106"	269
54" x 96"	137 x 244	110"	279
58" x 104"	147 x 264	119"	302
65" x 116"	165 x 295	133"	338
78" x 139"	198 x 353	159"	404
90" x 160"	229 x 406	184"	467

16:10 Wide Format

Viewing Area (H x W)		Nominal Diagonal	
in.	cm	in.	cm
50" x 80"	127 x 203	94"	239
57½" x 92"	146 x 234	109"	277
60" x 96"	152 x 244	113"	287
65" x 104"	165 x 264	123"	312
69" x 110"	175 x 279	130"	330
72½" x 116"	184 x 295	137"	348
87" x 139"	221 x 353	164"	417
100" x 160"	254 x 406	189"	480

4:3 Video Format

Viewing Area (H x W)		Nominal Diagonal	
in.	cm	in.	cm
43" x 57"	109 x 145	72"	183
50" x 67"	127 x 170	84"	213
60" x 80"	152 x 203	100"	254
69" x 92"	175 x 234	120"	305
87" x 116"	221 x 295	150"	381
108" x 144"	274 x 366	180"	457
120" x 160"	305 x 406	200"	508

Available with the Following Screen Surfaces

Front Projection



Parallax 0.8*
Horizontal Half Angle: 85°
Vertical Half Angle: 17°
Gain: 0.8



HD Progressive 0.6
Half Angle: 85° Gain: 0.6



HD Progressive 0.9
Half Angle: 85° Gain: 0.9



HD Progressive 1.1
Half Angle: 85° Gain: 1.1



HD Progressive 1.1 Perf
Half Angle: 85° Gain: 1.1



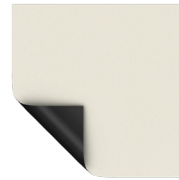
HD Progressive 1.1 Contrast
Half Angle: 60° Gain: 1.1



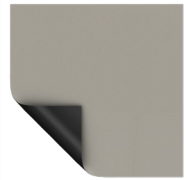
HD Progressive 1.1 Contrast Perf
Half Angle: 60° Gain: 1.1



HD Progressive 1.3
Half Angle: 75° Gain: 1.3



Da-Mat
Half Angle: 60° Gain: 1.0



High Contrast Da-Mat
Half Angle: 45° Gain: 0.8

Rear Projection



Dual Vision
Half Angle: 65° Gain: 0.9



Da-Tex
Half Angle: 30° Gain: 1.3

*NOTE: The Contour Electrol featuring Parallax will look visibly different when compared to other Da-Lite tensioned screens with vinyl surfaces. This is due to the nature of the Parallax material, which is a micro-layered, high-grade plastic lens system. While it may have slight variations in appearance, it is optically flat. Meaning, that when under projection, the Contour Electrol featuring Parallax will perform on the same level as the Da-Lite 4K-ready HD Progressive surfaces.

Product images



White Case (Standard)

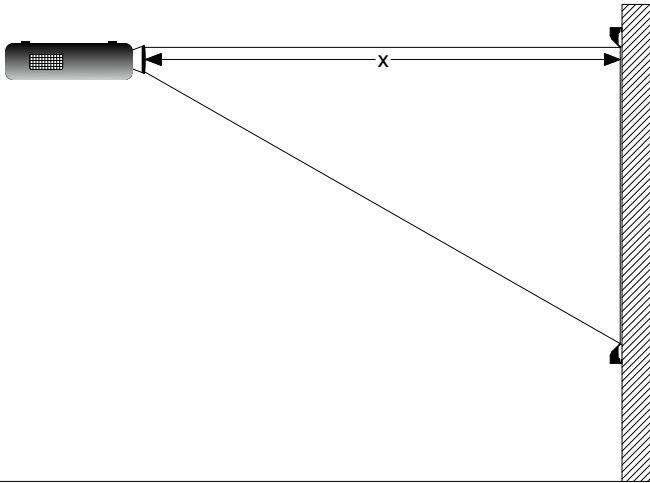


Black Case

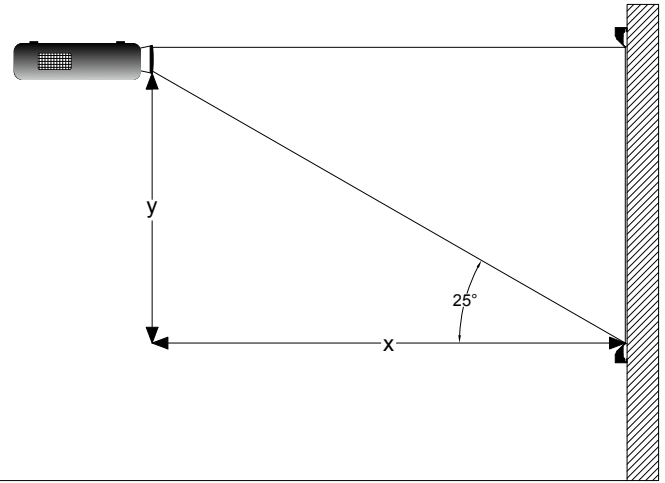
Parallax 0.8 Projector Placement

The examples below are for a ceiling mounted projector, but can be reversed for a table-top projector.

Projector Distance



Projection Angle



- Parallax 0.8 requires a minimum Lens Throw Ratio of 1.5:1
- How to calculate Projection Distance (x):
Projection Distance = Screen Width (viewable) x Lens Throw Ratio
Example:
 $180'' \text{ projection distance} \div 96'' \text{ wide screen} = 1.88 \text{ (1.88:1 Lens Throw Ratio)}$
- How to calculate Lens Throw Ratio:
Lens Throw Ratio = Projection Distance \div Screen Width (viewable)
Example:
 $87'' \text{ wide screen} \times 1.5 \text{ (minimum lens throw ratio)} = 130.5 \text{ (130.5'' projection distance)}$

- If the Projection Distance (x) is known, find the Maximum Vertical Offset:
Maximum Vertical Offset (y) = 0.4 x Projection Distance (x)
Example:
Projection Distance (x) = 130.5''
 $130.5'' \times 0.4 = 52.2''$
52.2'' = Maximum Vertical Offset
- If the Vertical Offset (y) is known, find the Minimum Projection Distance:
Minimum Projection Distance (x) = 2.5 x Vertical Offset (y)
Example:
87'' wide screen with a 60'' Vertical Offset (y)
 $60'' \times 2.5 = 150''$
150'' = Minimum Projection Distance



FOR YOUR IMAGE | legrandav.com

USA P 866.977.3901 E info@da-lite.com
CANADA P 877.345.4329 E canadainfo@milestone.com
EMEA P +31 495 580 840 E emea.sales@milestone.com
APAC P +852 2145 4099 E asia.da-lite@milestone.com

In British Columbia, Milestone AV Technologies ULC carries on business as MAVT Milestone AV Technologies ULC.
©2018 Milestone AV Technologies. DL-0440 (Rev. 7) 8/18 Da-Lite is a registered trademark of Milestone AV Technologies. All other brand names or marks are used for identification purposes and are trademarks of their respective owners. All patents are protected under existing designations. Other patents pending.

A brand of  **legrand**

MILESTONE IS NOW LEGRAND

Commercial AV Brands Chief | Da-Lite | Middle Atlantic | Projecta | Vaddio