



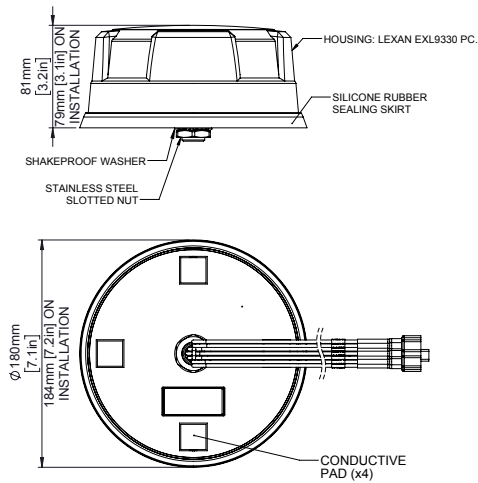
Sierra Wireless AirLink® Antenna: 9-in-1 Dome

The 9-in-1 Dome is a custom 5G single antenna solution for the AirLink XR90, tested and certified for mobile applications.

The antenna has a low-profile design that contains nine isolated high-performance antenna elements in a single housing for optimal coverage; four ultra-wideband elements spanning 617-6000MHz; a high performance GNSS antenna with an integrated 26dB gain LNA; and 4x4 MIMO dual band 2.4/5GHz Wi-Fi elements.

		Specification	
PART NO.		6001399 (Black)/6001400 (White)	
ELECTRICAL DATA			
Frequency Range	4G/5G Elements	617-960MHz / 1710-6000MHz	
	Wi-Fi Elements	2.4/4.9-6GHz	
Peak gain: Isotropic*	4G/5G Elements	617-960MHz	4dBi
		1710-3800MHz	6dBi
		4900-6000MHz	6dBi
	Wi-Fi Elements	2.4 GHz	5dBi
		4.9-6.0GHz	7dBi
Isolation*	4G/5G Elements	> 10dBm	
	Wi-Fi Elements	> 12dBm	
Typical Efficiency	4G/5G Elements	617-960MHz	>50%
		1710-3800MHz	>60%
		4900-6000MHz	>35%
	Wi-Fi Elements	2.4GHz	>60%
		5.0GHz	>45%
Correlation Co-efficient	4G/5G Elements	<0.2	
Pattern	Omni-directional		
Impedance	50Ω		

*Simulated off a groundplane and does not include cable attenuation



		Specification
GPS/GNSS DATA		
Frequency Range		1562-1612MHz
VSWR		<2.1 ± 4MHz
Gain: LNA		26dB
Out of Band Rejection		> 35dB
Rejection at 787MHz		> 50dB
Typical Noise Figure		-2.7dB
Operating Voltage		3-5V DC
Typical Current		15mA
MECHANICAL DATA		
Dimensions	Height	80mm (3.1")
	Diameter	180mm (7.1")
Operating Temp		-40° / +80°C (-40° / +176°F)
Colour		Black/White
Ingress Protection		IP69K
MOUNTING DATA		
Mounting Type		Bolt Mount
Mounting Hole		19mm (3/4")
CABLE DATA		
Cellular Cables	Type	C32
	Length	5m (16')
	Termination	FAKRA D (Purple)
GPS Cable	Type	CS29
	Length	5m (16')
Wi-Fi Cables	Termination	FAKRA C (Blue)
	Type	C32
Wi-Fi Cables	Length	5m (16')
	Termination	FAKRA I (Beige)

About Sierra Wireless

Sierra Wireless (NASDAQ: SWIR) (TSX: SW) is the leading IoT solutions provider that combines devices, network and software to unlock value in the connected economy. Companies globally are adopting IoT to improve operational efficiency, create better customer experiences, improve their business models and create new revenue streams. Whether it's a solution to help a business securely connect edge devices to the cloud, or a software/API solution to help manage processes associated with billions of connected assets, or a platform to extract real-time data to make the best business decisions, Sierra Wireless will work with you to create the right industry-specific solution for your next IoT endeavor. Sierra Wireless has more than 1,300 employees globally and operates R&D centers in North America, Europe and Asia.

For more information, visit www.sierrawireless.com.

Connect with Sierra Wireless on the IoT Blog at www.sierrawireless.com/iot-blog, on Twitter at @SierraWireless, on LinkedIn at www.linkedin.com/company/sierra-wireless and on YouTube at www.youtube.com/SierraWireless

Sierra Wireless, the Sierra Wireless logo, AirPrime, AirLink, AirVantage and the red wave design are trademarks of Sierra Wireless. Other registered trademarks that appear on this brochure are the property of the respective owners. © 2021 Sierra Wireless, Inc. 2021.06.14