

Sarix Value® Series IR Environmental Mini Dome Cameras (IJV223-1ERS, IJV522-1ERS)

2MP, 3.6MM, IR Environmental Mini Dome Camera; 5MP, 2.8MM IR Environmental Mini Dome Camera

Product Features

- Excellent low light performance
- True Wide Dynamic Range
- 30 fps @ 1080p, 20 FPS @ 5 MP
- Built-in IR illumination up to 30 M
- H.265 and H.264 encoding with Pelco Smart Compression
- IP66 for environmental ruggedness and IK10 for vandal resistance
- Built-in MicroSD / SDHC / SDXC Card Slot for On-board Storage, 256 GB tested



Camera

Sarix Value IJV Series cameras are ideal for discreet surveillance with their compact size and design that blends in with surroundings. The Sarix Value Series features excellent image quality with great low light performance, color fidelity and true wide dynamic range (WDR) for increased visibility in difficult lighting situations. And with built-in IR illumination, the camera can provide coverage even in total darkness.

With IP66 and IK10 ratings, the Sarix Value IJV Series can be deployed in a variety of indoor and environmental settings as well as in vandal prone areas.

Video

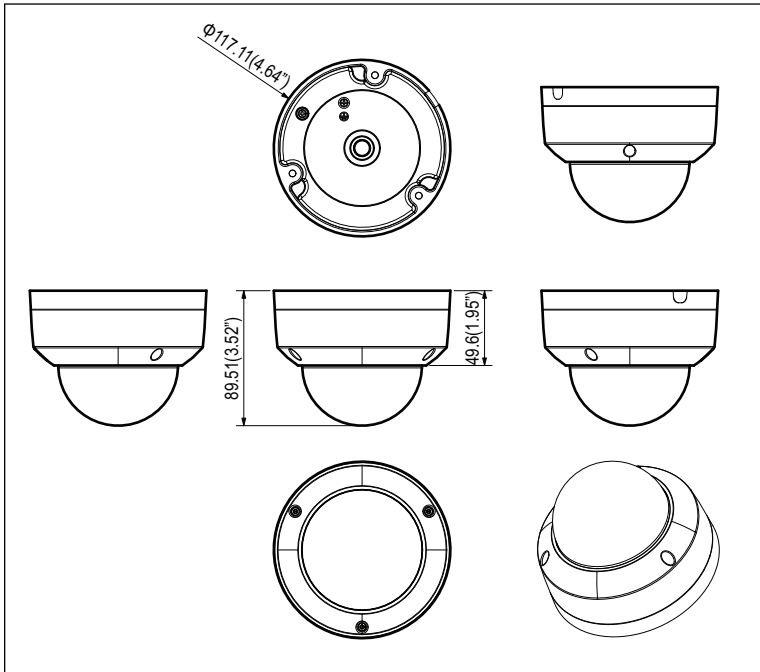
Sarix Value Series cameras provide options for three simultaneous video streams. The three streams can be compressed with efficient H.265, H.264 High or Main profiles, or MJPEG encoding. The streams can be configured to a variety of resolutions and frame rates. Pelco Smart Compression is available on both H.264 and H.265 to minimize storage and bandwidth utilization.


Open and Integrated

Sarix Value Series cameras seamlessly connect to VideoXpert™, Pelco's video management system as well as other leading Video Management Systems via the ONVIF Profile S, T, and G Profiles.

Dimensions

IJV223-1ERS, IJV522-1ERS



 **Note:** Values in parentheses are inches; all others are millimeters.

Standard Web Interface

Pelco cameras use a standard Web browser interface for easy remote setup and administration. Controls are optimized for convenient one-step camera configuration for features including color, exposure, flicker control, wide dynamic range, and streaming.

Basic Analytics

Sarix Value Series cameras feature basic video analytics including Simple Motion Detection and Camera Tampering.

Simple Motion Detection algorithms allow the camera to record or send an alarm when there is motion detected in a selected zone or within the entire scene.

A Camera Tampering alarm is triggered if the lens is obstructed or when the camera is repositioned.

Smart Compression Technology

Smart Compression Technology lowers bandwidth and storage requirements by up to 70%. It allows the user to make informed optimization between storage savings and image quality.

Pelco's Smart Compression Technology dynamically analyzes motion occurring within live video in real-time, to intelligently compress the information you don't need, while retaining details with clear quality in the areas that are important in the scene. By enabling Dynamic GOP, an added feature of Smart Compression, the number of I-frames are automatically reduced in scenes with low motion. Based on the complexity of

scenes and presence of motion, up to 70% bandwidth savings can be achieved in scenes such as store rooms, that have limited entry and exit.

Technical Specifications

Camera Features

Item	Description
Image Sensor	1/2.9" Progressive CMOS (IJV223-1ERS); 1/2.7" Progressive CMOS (IJV522-1ERS)
Maximum Resolution	1920x1080 (2MP) (IJV223-1ERS); 2560x1920 (5MP) (IJV522-1ERS)
Lens Type	Fixed-f ocal
Focal Length	f = 3.6 mm (IJV223-1ERS); f = 2.8 mm (IJV522-1ERS)
Aperture	F2.0
Iris Type	Fixed iris
Field of View	IJV223-1ERS 81° (Horizontal) 44° (Vertical) 95° (Diagonal)
	IJV522-1ERS 103° (Horizontal) 76° (Vertical) 134°(Diagonal)
Shutter Time	1/5 sec. to 1/32,000 sec.
Wide Dynamic Range	Up to 120 dB. 100dB per IEC62676-5
Day/Night	Yes with removable IR cut filter
IR Illumination	Built-in IR illuminators, effective up to 30 meters with Adaptive IR technology
Minimum Illumination	0.07 lux Color (IJV223-1ERS); 0.2 lux Color (IJV522-1ERS)
Pan Range	350° (IJV223-1ERS); 353° (IJV223-1ERS)
Tilt Range	75°
Rotation Range	350°
Pan/Tilt/Zoom Functionalities	Digital PTZ: 48x digital zoom
Storage	Seamless Recording to MicroSD/SDHC/SDXC card (256 GB tested) and recording to network-attached storage (NAS)

Video

Item	Description
Video Compression	H.265, H.264, MJPEG
Maximum Frame Rate	30 fps @ 1920x1080 (IJV223-1ERS); 20 fps @ 2560x1920 (IJV522-1ERS) with WDR Pro off
Maximum Streams	3 video streams (Up to 8 configurable profiles)
S/N Ratio	50 dB
Video Streaming	Adjustable resolution, quality and bit rate control, Pelco Smart Compression
Image Settings	<p>General settings: video title and time stamp overlay, video orientation (flip, mirror, rotation), day/night settings;</p> <p>Illuminators: illuminators, Adaptive IR;</p> <p>Image settings: white balance, image adjustment (brightness, contrast, saturation, sharpness, gamma curve), defog, 3DNR;</p> <p>Exposure: BLC, HLC, exposure control (exposure level, exposure time, gain control), AE speed adjustment, WDR; Privacy mask; Scheduled profile settings</p>

Network

Item	Description
Users	Live viewing for up to 10 clients
Security	Access list, digest authentication, HTTPS, IEEE 802.1x, password protection, signed firmware, user access log, user account management
Protocols	802.1X, ARP, Bonjour, CIFS/SMB, DDNS, DHCP, DNS, FTP, HTTP, HTTPS, ICMP, IGMPv3, IPv4, IPv6, NTP, PPPoE, QoS (CoS/DSCP), RTSP/RTP/RTCP, SMTP, SNMP, SSL, TCP/IP, TLS 1.2, UDP, UPnP
Interface	<p>10 Base-T/100 Base-TX Ethernet (RJ-45)</p> <p>It is recommended that standard CAT5e and CAT6 cables which are compliant with the 3P/ETL standard be used.</p>
ONVIF	Profile G, S, T supported, specification available at www.onvif.org

Cybersecurity

Sarix Value Series cameras implement several cybersecurity measures to protect device access as well as data transport including credential setup for device access, authentication, HTTPs using TLS1.2, AES encryption with 256 bit keys, digital signature for firmware upload, denial of access to shell, 802.1X, camera firewall with whitelist/blacklist address support, 2048 RSA key pairs, X.509 v3 digital certificates with SHA256 signature hash.

Alarm and Event

Item	Description
Event Trigger	Camera tampering detection, manual trigger, motion detection, periodical trigger, recording notification, SD card life expectancy, system boot
Event Action	Event notification via email, HTTP, FTP, NAS server, SD card, push notification file upload via email

General

Item	Description
Connectors	RJ-45 cable connector for 10/100Mbps Network/PoE connection
Power Input	IEEE 802.3af PoE Class 2
Power Consumption	Max. 6.49 W/3.69 W (IR on/off)
Dimensions	ø 117.2 x 89.60 mm
Weight	540 g
Body Construction	Powder coated aluminum (RAL 9003), lower dome bubble polycarbonate
Operating Temperature	Starting Temperature: -10°C ~ 60°C (14°F ~ 140°F) Working Temperature: -30°C ~ 60°C (-22°F ~ 140°F)
Humidity	90%

System Requirements

Item	Description
Operating System	Microsoft Windows 10/8/7
Web Browser	Chrome, Firefox, Edge
Other Players	VLC

Included Accessories

Item	Description
Others	Quick Start Guide, alignment sticker, screw pack, cable gland

Models

Resolution	Model Number	Lens	Description
2 MP	IJV223-1ERS	3.6 mm	Sarix Value Environmental IR Micro Dome
5 MP	IJV522-1ERS	2.8 mm	Sarix Value Environmental IR Micro Dome

Compatible Accessories—Mounting Kits

SRXV-WMS	L-shaped Wall Bracket
IJTV-AP	Electrical Box Adapter Plate
IJTFV-PA	Pendant Mounting Adapter
IMJTV-JB	Environmental Conduit Box
SRXV-WMP	Pendant Wall Mount
IMV-WMJB	Wall Mount Junction Box
SRXV-PP	Pendant Extension Pipe
SRXV-PCF	Pendant Ceiling Flange
SRXV-CM	Corner Mount
SRXV-PLM	Pole Mount

PoE Power Supplies

POE130-XT	Single-port PoE Gigabit extender powered by POE190-BT injector
POE130-AT (US or EU)	Single-port PoE+ midspan
POE430-AT (US or EU)	4-port, 30W per port PoE midspan
POE2436-AT (US or EU)	24-port, 36W PoE midspan

Certifications

- CE (Class B)
- FCC (Class B)
- ICES-003 (Class B)
- VCCI (Class B)
- UL/cUL Listed
- UL/IEC/EN 62368-1, 60950-22
- IEC/EN 62471
- KC
- RCM
- EAC
- BIS
- NOM
- Environmental Modes comply with the following:
 - IEC/EN 62262 Impact (IK10)
 - IEC/EN 60529 to the following: Ingress for Water and Dust (IP66)

Sarix Value® Series IR Environmental Mini Dome Cameras (IJV223-1ERS, IJV522-1ERS)

Product Specification, camera solutions



Pelco, Inc.
625 W. Alluvial Ave., Fresno, California 93711 United States
(800) 289-9100 Tel
(800) 289-9150 Fax
(missing or bad snippet)
(missing or bad snippet)
www.pelco.com

⚠ WARNING: Cancer and Reproductive Harm -
www.P65Warnings.ca.gov.
⚠ ADVERTENCIA: Cáncer y Daño Reproductivo -
www.P65Warnings.ca.gov.
⚠ AVERTISSEMENT: Cancer et Troubles de
l'appareil reproducteur - www.P65Warnings.ca.gov.

Pelco, the Pelco logo, and other trademarks associated with Pelco products referred to in this publication are trademarks of Pelco, Inc. or its affiliates. ONVIF and the ONVIF logo are trademarks of ONVIF Inc. All other product names and services are the property of their respective companies. Product specifications and availability are subject to change without notice.

© Copyright 2021, Pelco, Inc. All rights reserved.