

USB DisplayPort Dual View HDBaseT 2.0 KVM Extender CE924

The ATEN CE924 USB DisplayPort Dual View HDBaseT™ 2.0 KVM Extender integrates the latest HDBaseT™ 2.0 technologies to deliver 4K video, stereo audio, USB, and RS-232 signals. The HDBaseT™ 2.0 guarantees the most reliable transmission on the market as well as it provides long-reach capability that extends Full HD 1080P signals up to 150 meters. In addition, CE924 supports single 4K display or dual 1080p display for DisplayPort video output resolution up to 100m by using a single Cat6 / 2L-2910 Cat 6 cable.

With an easy cable installation supporting various signals, the CE924 is ideal for applications where convenient remote access is required – such as transportation control centers, medical facilities, industrial warehouses, and extended workstations.



CE924R



CE924R Front View



CE924R Rear View



CE924L



CE924L Front View

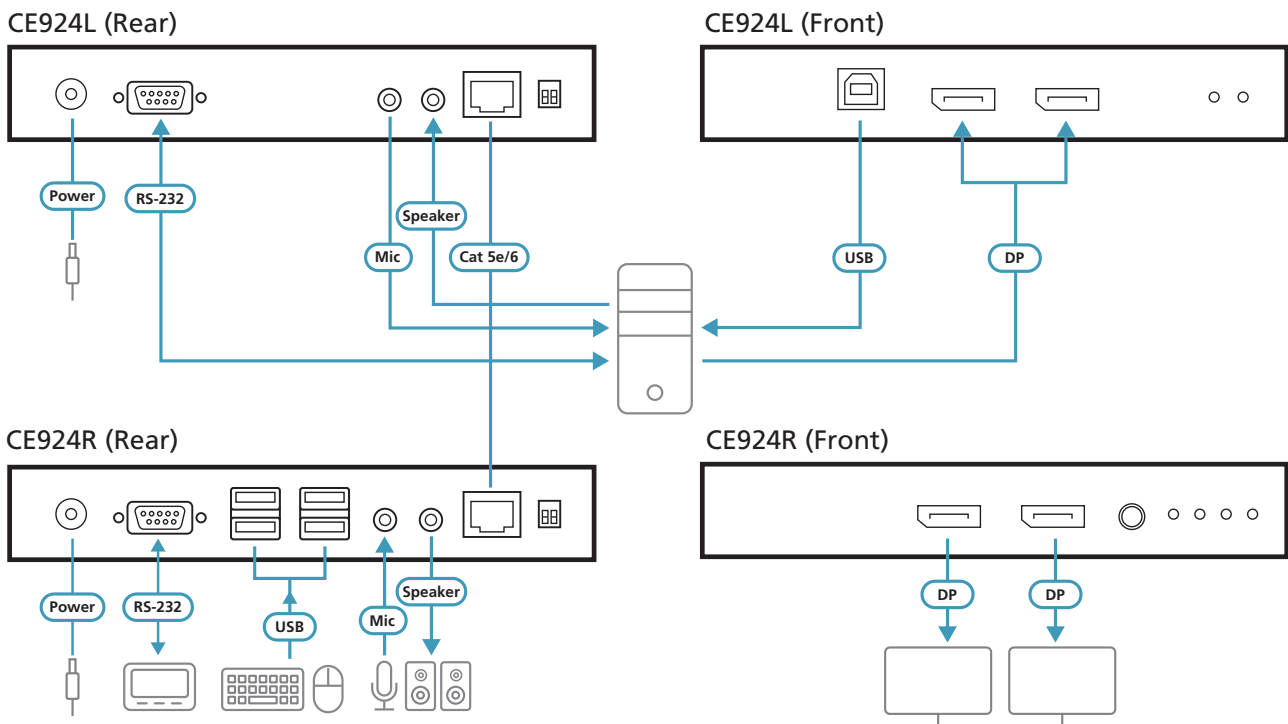


CE924L Rear View



Features

- Allows dual view DisplayPort access to a computer and KVM control from a remote console
- Supports HDBaseT 2.0 technology
 - Extends video, audio, USB, and RS-232 signals via a single Cat6 / 6a / 2L-2910 Cat 6 cable
 - Enhanced bit error detection and correction to resist signal interference during high-quality video transmissions
 - Status detection and LED indication for HDBaseT™ signal transmission on the remote unit
- EDID Buffer for smooth power-up and the highest quality display
- Single category cable to transmit AV and control signal
 - HDBaseT Standard mode up to 4K @ 100 m (via Cat 6 / 6a / 2L-2910); (single view only; dual-view resolution up to 1080p)
 - HDBaseT Long-Reach mode up to 1080P @ 150 m (single view only; dual-view resolution up to 720p)
- Supports 4 ports USB 2.0 full speed hub on the receiver—allowing to connect up to 4 various USB2.0 peripheral
- HDCP Compatible
- Supports individual 2-channel stereo audio for high-quality audio applications
- Supports PC wakeup function via single pushbutton through RS-232 channel
- Built-in 8KV / 15KV ESD protection (Contact voltage 8KV; Air voltage 15KV)



Specifications

	CE924L	CE924R
Connectors		
KVM Ports	2 x DisplayPort Female (Black) 1 x USB Type B Female (White) 1 x Mini Stereo Jack Female (Green) 1 x Mini Stereo Jack Female (Pink)	N/A
Console Ports	N/A	2 x DisplayPort Female (Black) 4 x USB Type A Female (White) 1 x Mini Stereo Jack Female (Green) 1 x Mini Stereo Jack Female (Pink)
RS-232	1 x DB-9 Female (Black)	1 x DB-9 Male (Black)
Power	1 x DC Jack with locking	1 x DC Jack with locking
Unit To Unit	1 x RJ-45 Female (Black)	1 x RJ-45 Female (Black)
LEDs		
Power	1 (Green)	1 (Green)
Link	1 (Orange)	1 (Orange)
Video Output	N/A	2 (Orange)
Switches		
Long Reach Mode Switch	1 x Slide Switch	1 x Slide Switch
Firmware Upgrade	1 x Slide Switch	1 x Slide Switch
Pushbuttons		
Wakeup button	N/A	1 x Pushbutton
Video	Single view: Up to 4K@90m (Cat 5e) / 100m (Cat 6/6a/ATEN 2L-2910 Cat6) 1080P@100m (Cat 5e/6/6a) Dual-view: Up to 1080p@100m (Cat 5e/6/6a) *4K supported: 4096 x 2160 / 3840 x 2160 @ 30Hz (4:4:4)	Single view: Up to 4K@90m (Cat 5e) / 100m (Cat 6/6a/ATEN 2L-2910 Cat6) 1080P@100m (Cat 5e/6/6a) Dual-view: Up to 1080p@100m (Cat 5e/6/6a) *4K supported: 4096 x 2160 / 3840 x 2160 @ 30Hz (4:4:4)
Power Consumption	DC12V:7.03W	DC12V:9.92W
Environmental		
Operating Temperature	0 – 40°C	0 – 40°C
Storage Temperature	-20 – 60°C	-20 – 60°C
Humidity	0 – 80% RH, Non-condensing	0 – 80% RH, Non-condensing
Physical Properties		
Housing	Metal	Metal
Weight	0.82 kg	0.85 kg
Dimensions (L x W x H)	17.42 x 15.41 x 2.88 cm	17.42 x 15.57 x 2.88 cm

ATEN International Co., Ltd.

3F, No.125, Sec. 2, Datung Rd., Sijhih District., New Taipei City 221, Taiwan
 Phone: 886-2-8692-6789 Fax: 886-2-8692-6767
 www.aten.com E-mail: marketing@aten.com

Product information is subject to change without prior notice.

Publish Date: 01/2021 V1.0

© Copyright 2021 ATEN® International Co., Ltd.
 ATEN and the ATEN logo are trademarks of ATEN International Co., Ltd.
 All rights reserved. All other trademarks are the property of their respective owners.

