

Mac Mini Shelf

115-6875

Maximize Space and Performance

RackSolutions' Mac Mini Shelf allows you to mount as many Macs per square foot as possible. We built these mounts to perfectly optimize space and airflow so the customer can be sure that their Macs will last.

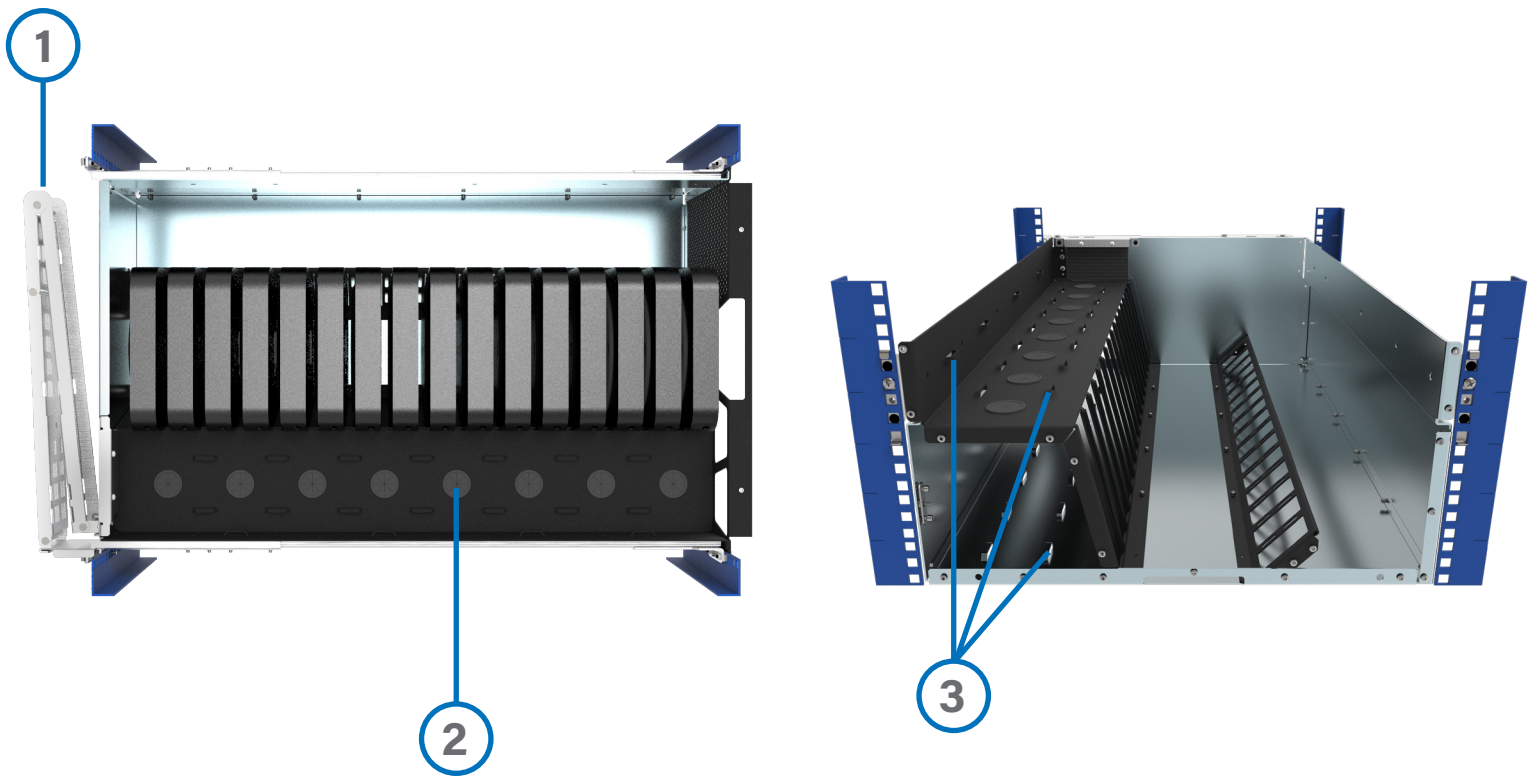


Key Features

- Decrease deployment times with quick mount rail design and increased shelf density
- 5U sliding enclosure mounts 16 Mac Mini devices
- Designed for enterprise deployments and data center environments
- Lower installation cost per device
- Does not interfere with power button or peripheral ports

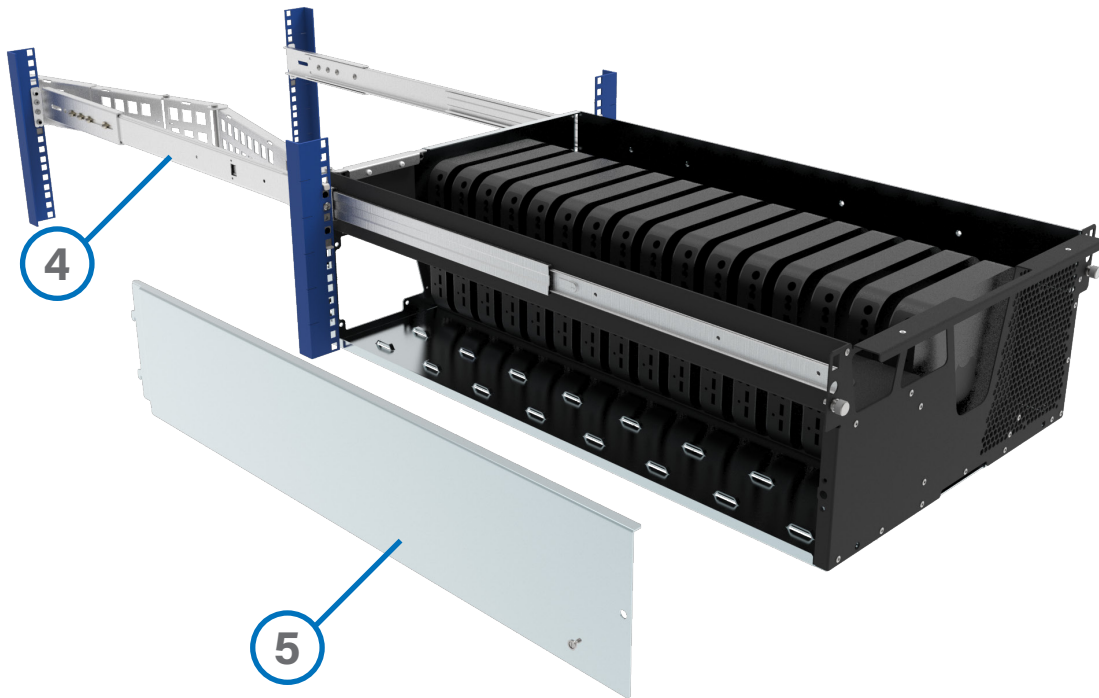
[RackSolutions.com](https://www.RackSolutions.com)

Toll Free: 1-888-903-7225 | Email: info@racksolutions.com



Specs

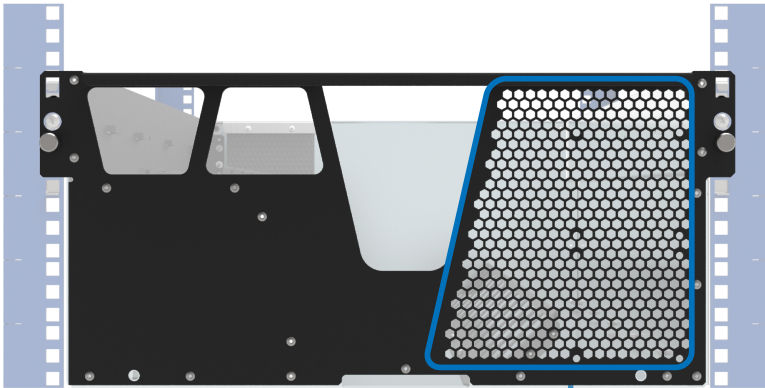
- 1. Fully articulated Cable Management Arm
- 2. Convenient cable pass through locations
- 3. Designated cable pathways with integrated tie points
- 4. High-quality ball bearing slide rails
- 5. Removable side panel for cable access and exhaust containment



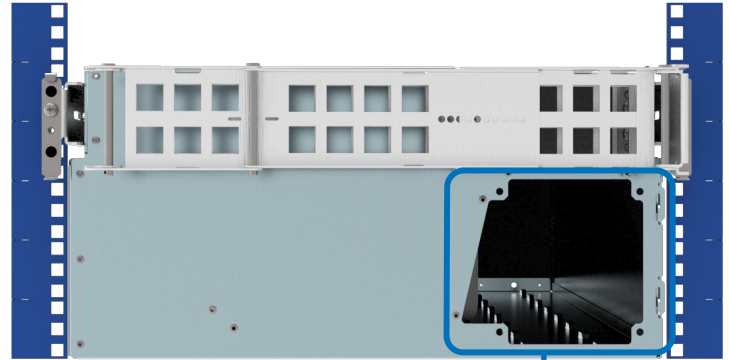
If we can't mount it, no one can.

Airflow Management

Front



Rear

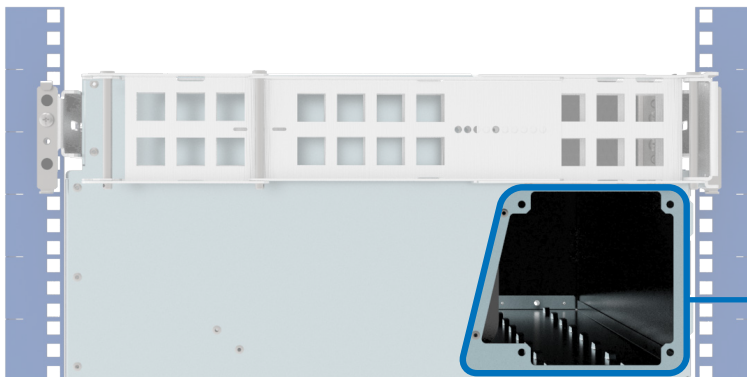


- Intake and exhaust manifolds separate hot and cold air
- Mounting holes allow option for adding fans to increase airflow if needed



Intake Area $\approx 29.5 \text{ in}^2$

Front

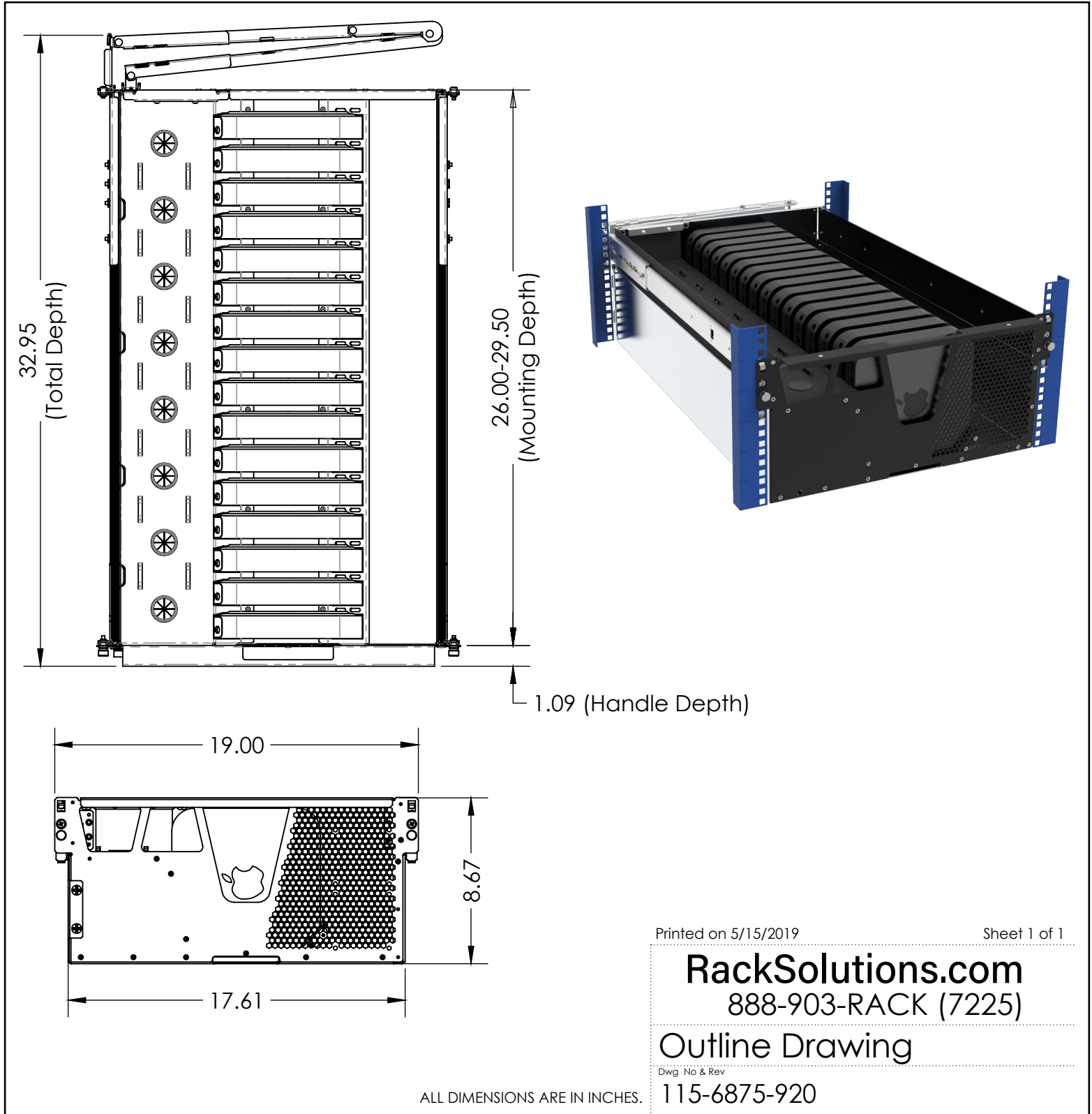


Exhaust Area $\approx 21.85 \text{ in}^2$

Rear

If we can't mount it, no one can.

Dimensional Drawings



RackSolutions.com
Toll Free: 1-888-903-7225 | Email: info@racksolutions.com