

EZA1280

2-Megapixel True Day/Night
Outdoor IR Bullet Camera

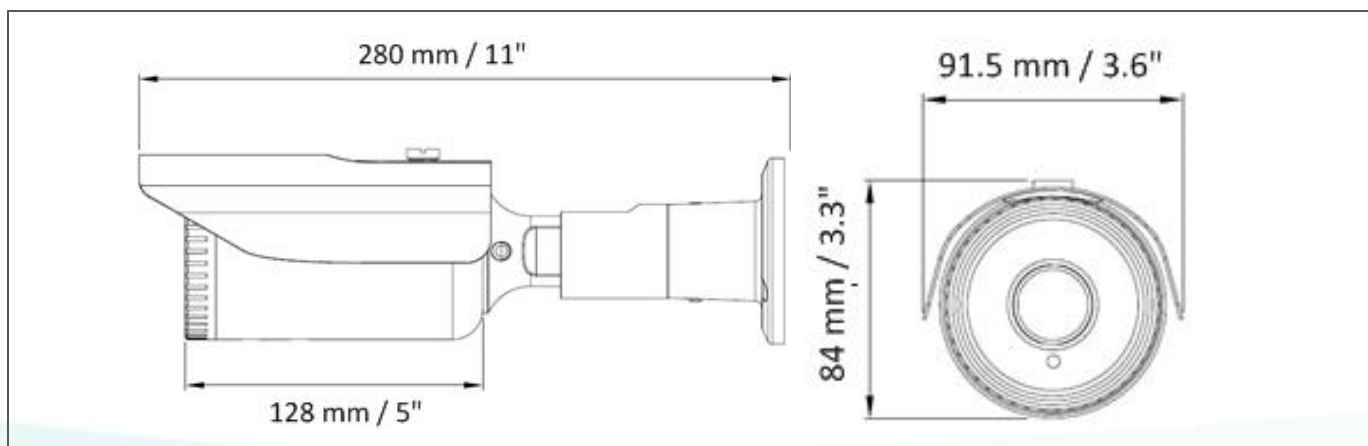
eZ.HD



Features

- 1080p Sony STARVIS CMOS sensor, delivering amazing high sensitivity
- Varifocal 2.8-12mm with ICR to capture the desired field of view
- Extended IR range of up to 40m / 131ft. with 4 LEDs (depends on scene IR reflectivity)
- D-WDR to improve the visibility under high contrast scene
- The flexible angle viewing with its 3-Axis rotation design allows wall or ceiling mounting
- IP66-rated with metal housing
- Supports dual power (12VDC / 24VAC)
- Supports UTC function: Control camera OSD settings directly from DVR end

Dimensions



Optional Accessories

BA-E320



Color: White
 Size (Φ x H): 138 x 54mm / 5.43" x 2.16"
 Weight: 700g / 1.87
 Material: Metal

Specifications

| Model No. | EZA1280 | | |
|--------------------|---|------------------------|---|
| Pickup Device | 1080p Sony STARVIS CMOS sensor | Video Format | AHD / TVI / CVI / CVBS |
| System Format | NTSC / PAL (switchable via OSD) | S/N Ratio | ≥50dB |
| Effective Pixels | 1920 (H) x 1080 (V) | OSD Languages | English / Simplified Chinese / Traditional Chinese / Japanese / Korean / Portuguese |
| Scanning System | Progressive Scan | DNR | Off / Middle / High / Low |
| Sensitivity | 0.1 Lux with IR On | D-WDR | 96dB |
| Electronic Shutter | 1/30s ~ 1/30000s | Sens-up | Off / x2 / x4 / x8 / x16 / x32 |
| Gamma Correction | 0.45 / 0.55 / 0.65 / 0.75 | Mirror / Flip | Off / On |
| Lens Type | Varifocal 2.8-12mm with ICR, F1.6 | Motion Detection | Supported |
| FOV (D x H x V) | 118~45° x 102~40° x 55~22° | Privacy Mask | Supported |
| BLC | Off / BLC / HLC / WDR | Environmental | IP66 Weather Resistant |
| AGC | Auto | Power Source | Dual Power (12VDC/24VAC~) |
| White Balance | Auto / Manual | Max. Power Consumption | 12Vdc 8.5w/24Vac 7.8w |
| Sync. Mode | Internal | Operating | -20°C ~ 50°C / 14°F ~ 122°F |
| Day / Night | Auto / Color / B&W / Extern | Humidity | Less than 95% |
| UTC Function | Supported | Dimensions (W x H x D) | 91.5(W) x 84(H) x 280(D)mm / 3.6" x 3.3" x 11" |
| IR LEDs | 4 Units | Weight | 1400g / 3.09lb |
| IR Distance | Up to 40m / 131ft. (Depends on scene IR reflectivity) | Certificates | CE, FCC, RoHS |

Find Out More At:

EverFocus Taiwan HQ:
 TEL: +886 2 2662 2338
www.everfocus.com.tw
marketing@everfocus.com.tw

EverFocus USA - California:
 TEL: +1 626 844 8888
www.everfocus.com
sales@everfocus.com

International Branch Offices:
 China, Japan