

SLA-T1080FA

2MP Lens Module for PNM-9000QB



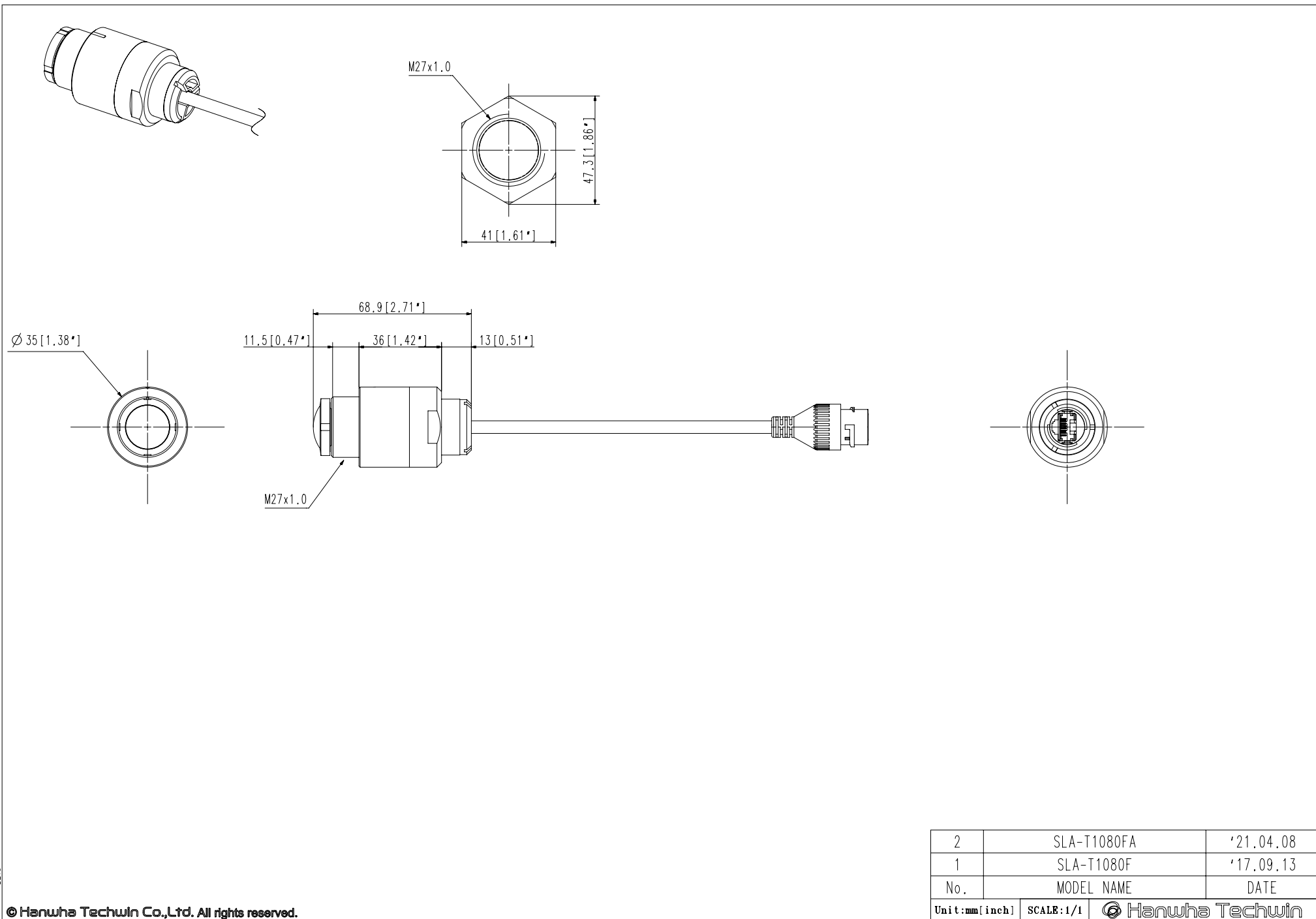
FC |  | CE | ENEC

Key Features

- Color: 0.03Lux(F1.6, 1/30sec)
- 1.6mm fixed focal
- Compatible with PNM-9000QB

Video	
Imaging Device	1/2.8" 2MP CMOS
Min. Illumination	Color: 0.03Lux(F1.6, 1/30sec)
Lens	
Focal Length (Zoom Ratio)	1.6mm fixed focal
Max. Aperture Ratio	F1.6
Angular Field of View	H: 187°, V: 113.9°
Mount Type	RJ12 connected with main unit
Focus Control	fixed
Mechanical	
Color / Material	Black / Metal
Product dimensions / weight	Ø35xL68.9mm, 430g

- The latest product information / specification can be found at hanwha-security.com
- Design and specifications are subject to change without notice.
- Wisenet is the proprietary brand of Hanwha Techwin, formerly known as Samsung Techwin.



A2

© Hanwha Techwin Co.,Ltd. All rights reserved.