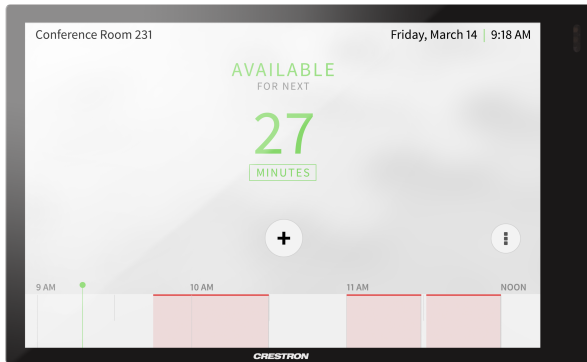


## 7 in. Room Scheduling Touch Screen



- *Touch screen designed specifically for enterprise room scheduling applications*
- *Delivers a superior and cost-effective alternative to consumer tablet devices*
- *Integrates directly with various room scheduling services*
- *7 in. (178 mm) widescreen capacitive touch screen display*
- *Standard U.S., U.K., and European electrical box installation with additional mounting options available*
- *Single wire Ethernet connection with PoE or PoE+ power*
- *Wi-Fi® network connectivity*
- *Dual USB 2.0 ports for room availability accessories*
- *Enterprise grade security and authentication*
- *Choice of white or black smooth finish*

Crestron® TSS-770 series touch screens are designed to enhance and simplify room scheduling across an enterprise. The TSS-770 installs near a meeting room or huddle space to provide a clear indication of its availability and scheduling and integrates seamlessly with a variety of popular scheduling services.

### Crestron Room Scheduling App

The native Crestron Scheduling app helps to maximize productivity and manage usage for meeting spaces. If desired, the room can be reserved on the spot for an ad hoc meeting. A [CEN-ODT-C-POE](#) occupancy sensor (sold separately) can also be paired to the touch screen, allowing for occupancy status to be reported instantly to the scheduling app for no-shows and unscheduled room usage.<sup>1</sup>

Crestron room scheduling also offers three levels of customization—ranging from simply configuring settings in the web user interface to modifying the application source code for a completely unique appearance—depending on the needs of an enterprise.

Running the Crestron Scheduling App, the TSS-770 integrates directly with [Crestron Fusion](#)® software, Microsoft Exchange Server® software (for users of Outlook® software and Office 365® software), the Google Calendar™ calendaring app (including G Suite™ software), ColleagueNET® 25Live® scheduling software, or Ad Astra® software. IBM® Notes® software is also supported through a Crestron Fusion on-premises server.

### Third-Party Scheduling Apps

The TSS-770 includes support various third-party scheduling applications. New providers are made available via firmware updates. Whatever provider you choose, setup is as simple as connecting the touch screen to the network and choosing an app from the web-based setup menu or built-in setup screens. The selected app downloads from the cloud and installs on the touch screen without any programming or control system required.<sup>1,2,3</sup>

### Built for Enterprise Scheduling Applications

The TSS-770 is engineered to meet the demands of a corporate office, conference center, or education environment. Its 7 in. (178 mm) capacitive display provides an intuitive user interface. The UI can be customized and branded with your choice of background images and logos.<sup>1</sup> A larger 10.1 in. (257 mm) version ([TSS-1070](#) series) is also available.

- **Functional:** The TSS-770 provides a compact unit for scheduling applications that mounts over a standard electrical box or cutout. The TSS-770 offers high-speed Ethernet and PoE/PoE+ connectivity, or, for deployments without access to Ethernet, it can be connected to the network over Wi-Fi® communications via a local wireless access point (WAP).
- **Versatile:** Crestron offers a variety of mounting options for mounting the TSS-770 to drywall, masonry, glass, mullions, and other surfaces. Optional light bar and hallway sign accessories are available to increase the visibility of the room availability status.
- **Reliable:** The TSS-770 is purpose-built for permanent installation and years of reliable 24/7 operation in a commercial environment. To ensure the latest features are available, the TSS-770 checks nightly for app updates and loads the latest version automatically.
- **Secure:** The TSS-770 employs enterprise-grade networking with robust security features such as 802.1X authentication, TLS encryption, HTTPS connectivity, and Active Directory® service integration. These features protect your network against service interruptions and malicious intrusions.
- **Manageable:** The TSS-770 features cloud-based provisioning and management, which streamlines configuring, monitoring, and updating the touch screen on the network. The TSS-770 also supports SNMP, so it can be monitored by your IT administrator.

# TSS-770

## 7 in. Room Scheduling Touch Screen

### Status Indicator Options

The TSS-770 provides dual high-speed USB 2.0 ports for connecting Crestron room scheduling accessories (sold separately) to the touch screen that enhance an enterprise room scheduling solution.

- The [TSW-770-LB](#) series light bars provide a 180° visual indication of a room's availability status, illuminating green if the room is available and red when reserved, with options for custom color mixing and programming.<sup>4</sup>
- The optional [SSW](#), [SSW-EL](#), [SSC](#), and [SSC-EL](#) series hallway signs feature a two sided acrylic sign face that can be custom engraved with the room name or number. The [SIW-100](#) offers a lower profile wall mount status indicator.<sup>4</sup>

### Bluetooth Beacon

The built-in Bluetooth® proximity detection beacon works with the Crestron Go App and Crestron App to determine when a mobile device is in or near the same room as the beacon, and signals the mobile app to automatically display the appropriate controls and information for the room.<sup>5</sup>

### Proximity Sensor and Brightness Controls

The TSS-770 provides a built-in proximity sensor that wakes the screen without requiring any user interaction, and automatic brightness controls ensure optimal visibility under varying lighting conditions.

### Power over Ethernet

PoE (Power over Ethernet) eliminates the need for a local power supply or any dedicated power wiring. Crestron PoE switches ([CEN-SW-POE-5](#) or [CEN-SWPOE-16](#), sold separately) offer a total networking solution with built-in PoE for multiple touch screens. A PoE Injector ([PWE-4803RU](#), sold separately) is also available to support a single touch screen.

**NOTE:** Refer to the "Power" specifications for more details.

### XiO Cloud Service

The TSS-770 is compatible with the XiO Cloud® service, which remotely provisions, monitors, and manages Crestron devices across an enterprise or an entire client base. Built on the Microsoft® Azure® software platform and utilizing Microsoft's Azure IoT Hub technology, XiO Cloud enables installers and IT managers to deploy and manage thousands of devices simultaneously. Unlike other virtual machine-based cloud solutions, Azure services provide unlimited scalability. For more information, visit [www.crestron.com/xiocloud](http://www.crestron.com/xiocloud).

### Wall Mount Options

Using the bracket provided, the TSS-770 is easily installed over a 2-gang or 3-gang US electrical box, or a 2-gang European or UK electrical box. A security latch option is included to deter unauthorized removal of the touch screen.

Additional wall mounting options are available using the optional [TSW-UMB-70](#) universal mounting bracket, [TSW-UMB-70-PMK](#) preconstruction mounting kit, and [TSW-UMB-70-BBI](#) back box (sold separately).<sup>6</sup>

### Optional Mounting Accessories

The TSS-770 supports numerous optional mounting accessories (sold separately) that allow the touch screen to be installed in all kinds of installations:

- The [TSW-770-MSMK](#) multisurface mount kit allows a TSS-770 touch screen to be mounted directly to virtually any flat surface, which is ideal for mounting at the entrance to a meeting space for room scheduling applications.
- The [TSW-770/1070-MUMK](#) allows the touch screen to be attached to the mullion of an interior glass wall, window, or partition.
- The [TSW-770/1070-RMB-1](#) and [TSW-770/1070-RMB-2](#) retrofit mounting brackets allow for retrofit installations in place of an older Crestron touch screen (APAD, CT-1000, LC-1000, TPS-4L, or TPS-2000L) without having to tear out the old mounting hardware or patch the wall.
- The [TSW-770-FP](#) face plate hides the electrical box from view when replacing a TSW-760 or TSS-7 series touch screen with a TSS-770 series touch screen.
- Though not typical for most scheduling applications, the [TSW-570/770-RMK-1](#) rack mount kit can be used to mount the touch screen into a 19 in. rack. When installed, the touch screen occupies three rack spaces.

The TSS-770 is also compatible with Wall-Smart® flush wall mount products via a partnership with Crestron. For more information on supported Wall-Smart hardware, click [here](#).

# TSS-770

## 7 in. Room Scheduling Touch Screen

### Specifications

#### Room Scheduling Support

**Crestron Scheduling App** Crestron Fusion® software, Microsoft Exchange Server® and Office 365® software, Google Calendar™ calendaring app and G Suite™ software, CollegeNET® 25Live® software, and Ad Astra™ software (IBM® Notes® software is also supported through Crestron Fusion on-premises server only)

**Third-Party Apps** Includes support for various third-party scheduling apps<sup>1,2,3</sup>

#### Languages

**Crestron Fusion** Chinese (Simplified), Chinese (Traditional), Danish, Dutch (Netherlands), English (US), English (UK), French, German, Hebrew, Italian, Japanese, Korean, Norwegian, Portuguese (Brazil), Portuguese (Portugal), Russian, Spanish, Swedish

#### Wired Communications

**Ethernet** 100 Mbps, auto switching, auto negotiating, auto discovery, full/half duplex, TCP/IP, UDP/IP, DHCP, SSL, TLS, SSH, SFTP (SSH File Transfer Protocol), IEEE 802.1X, SNMP, HTTPS, IPv4 or IPv6, Active Directory® service authentication, HTTPS web browser setup, XiO Cloud® client, IEEE 802.3at compliant

**USB** USB 2.0 host for light bar or hallway sign<sup>4</sup>

#### Wireless Communications

**Transceiver** IEEE 802.11a/b/g/n/ac Wi-Fi (2.4 or 5 GHz 2-way RF), static IP or dynamic IP via DHCP

**Security** 64 and 128-bit WEP, WPA and WPA2-PSK with TKIP and AES

**Range** Up to 50 ft (15 m), subject to site-specific conditions

**Bluetooth® Hardware** Crestron Bluetooth beacon<sup>5</sup>

#### Touch Screen Display

**Display Type** TFT active matrix color LCD

**Size** 7 in. (178 mm) diagonal

**Aspect Ratio** 16:10 WXGA

**Resolution** 1280 x 800 pixels

**Brightness** 350 nits (cd/m<sup>2</sup>)

**Contrast** 850:1

**Color Depth** 24 bit, 16.7M colors

**Illumination** Edgelit LED with auto brightness control

**Viewing Angle** ±80° horizontal, ±80° vertical

**Touch Screen** Projected capacitive, 5-point multitouch capable

#### Buttons

**Virtual Buttons** (6) Virtual buttons in collapsible universal tool bar, per-button show/hide, preconfigured with icons for Power, Home, Lights, Up, Down, and Microphone

**Reset** Pin hole on rear panel for hardware reset

#### Audio

**Features** Built-in speakers for touch feedback and alerts

#### Connectors

**LAN PoE** (1) 8-pin RJ45 connector, female, with 2 LED indicators; 100BASE-TX Ethernet port; PoE+ PD port; Green and yellow LEDs indicate Ethernet port status

**USB** (2) USB Type A connectors, female; USB 2.0 host ports; For optional room scheduling accessories

**NOTE:** The touch screen supports the use of a single light bar or status indicator accessory.

#### Power

**PoE (Power over Ethernet)** IEEE 802.3at Type 2 compliant PoE+ PD (Powered Device); Requests 15 W from an 802.3at Type 2 PSE with LLDP advanced power management; Requests 30 W (PoE+ Class 4) from an 802.3at Type 2 PSE without LLDP; Requests 15.4 W (PoE Class 0) from an 802.3af (or 802.3at Type 1) PSE

#### Environmental

**Temperature** 32 to 104 °F (0 to 40 °C)

**Humidity** 10% to 95% RH (noncondensing)

**Heat Dissipation** 44 BTU/hr

# TSS-770

## 7 in. Room Scheduling Touch Screen

### Construction

<b>Housing</b>	Plastic, smooth black or white finish, edge-to-edge glass with black or white surround
<b>Mounting</b>	Surface mount over a 2 or 3-gang US electrical box, 2-gang European (DIN 49073) electrical box, or 2-gang UK (BS 4662) electrical box; Lectern mount over a 2 in. H x 3-3/4 in. W (51 mm H x 96 mm W) cutout; 1-3/8 in. (35 mm) minimum mounting depth; Wall mount, surface mount, and rack options available separately

### Dimensions

<b>Height</b>	4.17 in. (106 mm)
<b>Width</b>	6.80 in. (173 mm)
<b>Depth</b>	1.99 in. (51 mm)

*Dimensions do not include the mounting bracket or add-on accessories*

### Weight

14.11 oz (400 g)

### Compliance

**Regulatory Model: M201923002**

IC, CE, FCC Part 15 Class B digital device

### Models

**TSS-770-B-S**

7 in. Room Scheduling Touch Screen, Black Smooth

**TSS-770-W-S**

7 in. Room Scheduling Touch Screen, White Smooth

### Available Accessories

For supported accessories, visit the appropriate TSS-770 product page at [www.crestron.com](http://www.crestron.com).

### Notes:

1. Actual functionality and onscreen appearance varies based on which scheduling app is in use and how the app is set up. The functionality described in this spec sheet generally refers to the Crestron Scheduling app. Each third-party provider determines the functionality and appearance of their respective app. Refer to each provider's website for more information.
2. Refer to the firmware release notes for a list of all scheduling apps that are supported by that firmware release.
3. Additional subscriptions and/or licenses may be required. Refer to each provider's website for details about the capabilities and requirements of its scheduling application and services. Third-party apps typically run on the TSS-770 as they do on a tablet device. The TSS-770 runs only one app, which is selected at setup. Only the apps approved and delivered by Crestron can run on the TSS-770. The TSS-770 cannot be interfaced with control system and cannot be custom programmed for any other functionality. An internet connection is required.
4. The TSS-770 may be powered by either a PoE or PoE+ power source when a light bar or hallway sign is connected. Refer to the Accessories section for a list of all available options. Refer to each accessory's spec sheet for further information.
5. Bluetooth technology is used solely for proximity detection and does not transmit or receive any control, multimedia, or personal data. Crestron Bluetooth beacons are only visible to Bluetooth enabled devices that are specifically programmed and configured to work with them.
6. The TSW-UMB-70 is also compatible with older TSW-UMB-PMK series preconstruction mounting kits and TSW-BBI series back boxes, allowing the TSS-770 to be installed in place of a previous generation touch screen.

This product may be purchased from select authorized Crestron dealers and distributors. To find a dealer or distributor, please contact the Crestron sales representative for your area. A list of sales representatives is available online at [www.crestron.com/How-To-Buy/Find-a-Representative](http://www.crestron.com/How-To-Buy/Find-a-Representative) or by calling 855-263-8754.

This product is covered under the Crestron standard limited warranty. Refer to [www.crestron.com/warranty](http://www.crestron.com/warranty) for full details.

The specific patents that cover Crestron products are listed online at [patents.crestron.com](http://patents.crestron.com).

Certain Crestron products contain open source software. For specific information, please visit [www.crestron.com/opensource](http://www.crestron.com/opensource).

Crestron, the Crestron logo, Crestron Fusion, and XiO Cloud are either trademarks or registered trademarks of Crestron Electronics, Inc. in the United States and/or other countries. Ad Astra is either a trademark or a registered trademark of Ad Astra Information Systems, LLC in the United States and/or other countries. Bluetooth is either a trademark or registered trademark of Bluetooth SIG, Inc. in the United States and/or other countries. CollegeNET and 25Live are either trademarks or registered trademarks of CollegeNET, Inc. in the United States and/or other countries. G Suite and Google Calendar are either trademarks or registered trademarks of Google, Inc. in the United States and/or other countries. IBM and Notes are either trademarks or registered trademarks of International Business Machines Corporation in the United States and/or other countries. Active Directory, Azure, Microsoft Exchange Server, Office 365, and Outlook are either trademarks or registered trademarks of Microsoft Corporation in the United States and/or other countries. Wall-Smart is either a trademark or registered trademark of Wall-Smart Ltd. in the United States and/or other countries. Wi-Fi is either a trademark or registered trademark of Wi-Fi Alliance in the United States and/or other countries. Other trademarks, registered trademarks, and trade names may be used in this document to refer to either the entities claiming the marks and names or their products. Crestron disclaims any proprietary interest in the marks and names of others. Crestron is not responsible for errors in typography or photography.

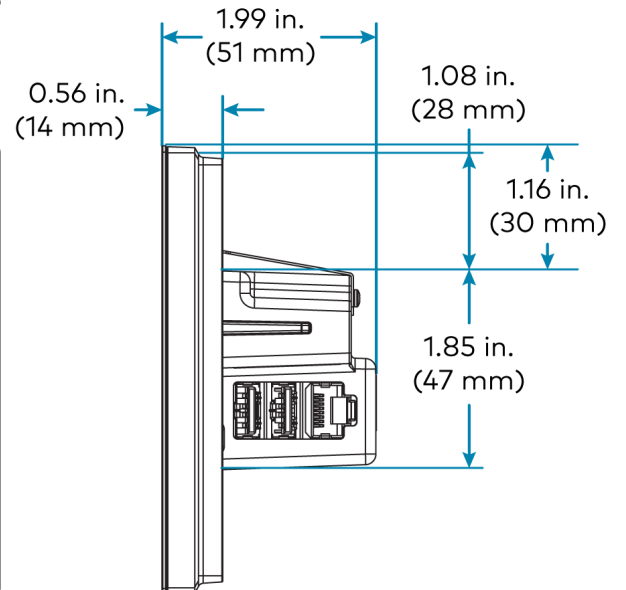
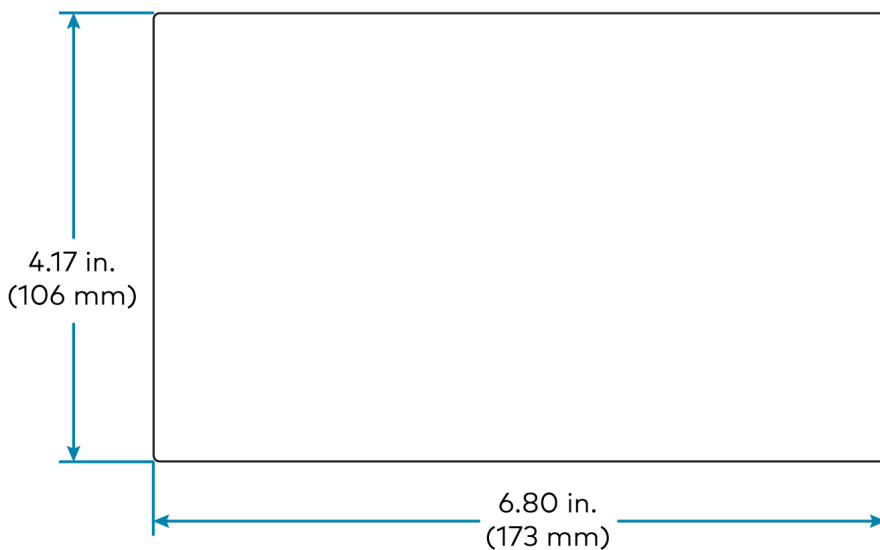
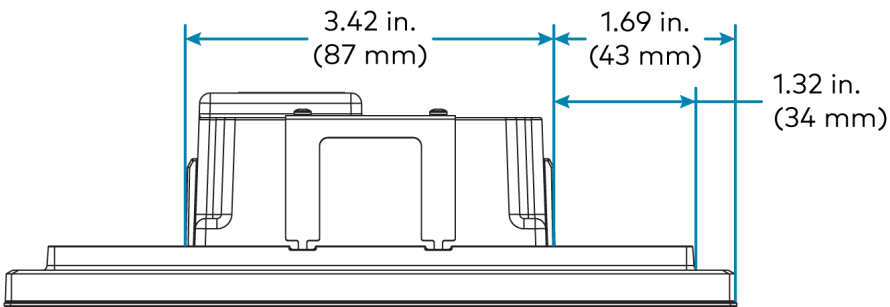
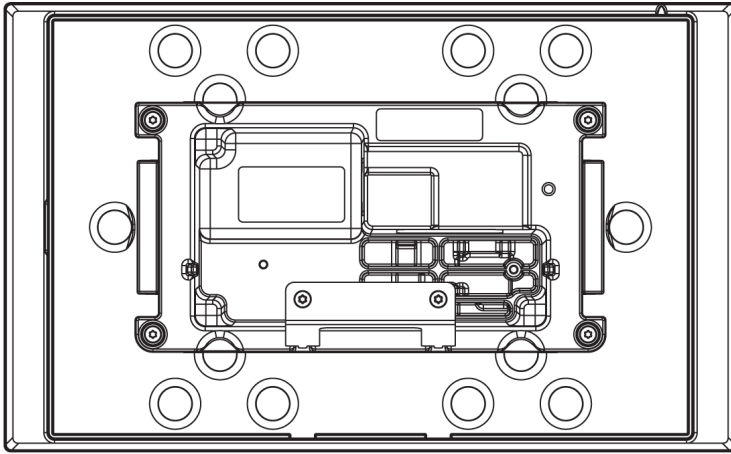
Specifications are subject to change without notice.

©2021 Crestron Electronics, Inc.

Rev 09/24/21

# TSS-770

## 7 in. Room Scheduling Touch Screen



# TSS-770

## 7 in. Room Scheduling Touch Screen

