



VeriFact[®]-665
Ceiling Mount (6.5" speaker)



VeriFact[®]-665
Ceiling Mount (5.5" speaker)

DESCRIPTION

Louroe Model VeriFact-650 and VeriFact-665 are ceiling mount full range speaker-microphones with fire-domes designed to provide 2-way audio (listen/talkback) with various modes of audio/video transmission systems such as:

- DVR's
- IP Network Cameras
- PC Soundcards
- Video Servers

The VeriFact-650/665 provide line level audio input and output. Both models have built in amplifiers that drive either a 5.5" speaker (VeriFact-650) or 6.5" speaker (VeriFact-665).

The gain of the microphone is factory adjusted. The gain of the audio output (speaker) can be adjusted using the potentiometer on the PCB on the rear of the unit, the adjustment should be done in small increments.

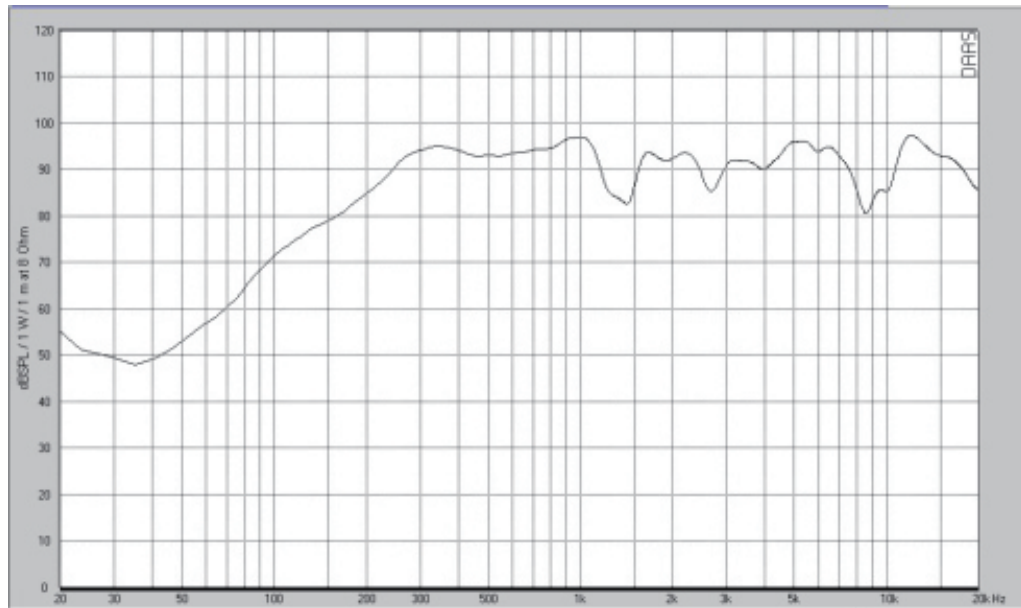
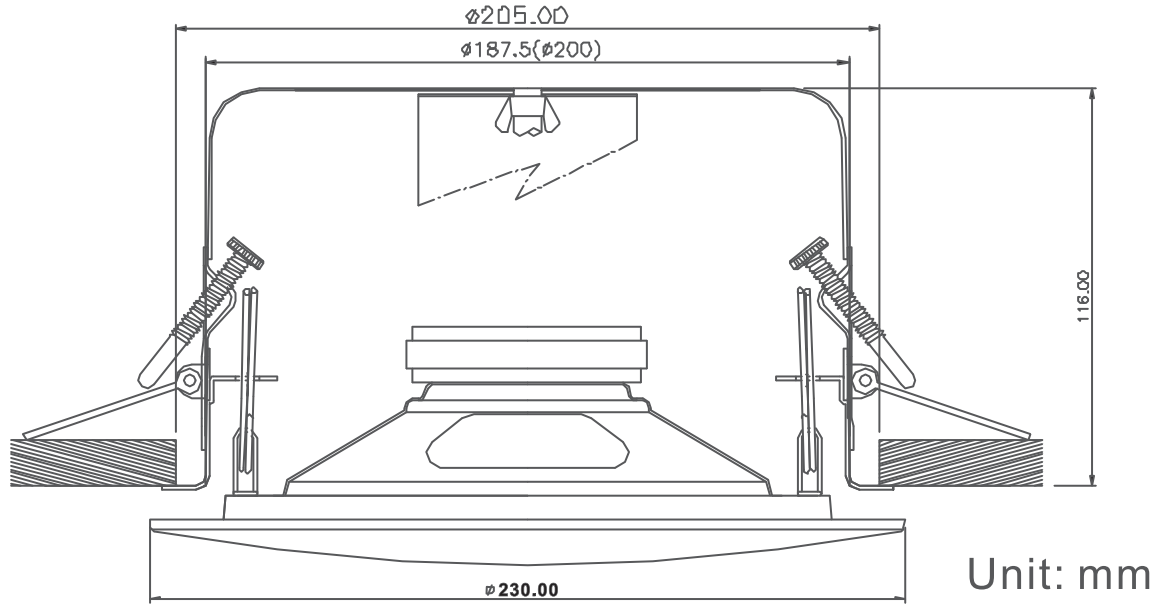
To adjust the audio output of the speaker, rotate the blue potentiometer clockwise (increase) or counterclockwise (decrease) slowly until the desired loudness is attained.

It is recommended to use the device in half duplex mode, however the unit has a built-in echo-cancellation system for when the device is configured for use in full duplex mode such that if the device recognizes that the audio output is beyond a set internal level, the incorporated microphone will be muted till the audio level falls.

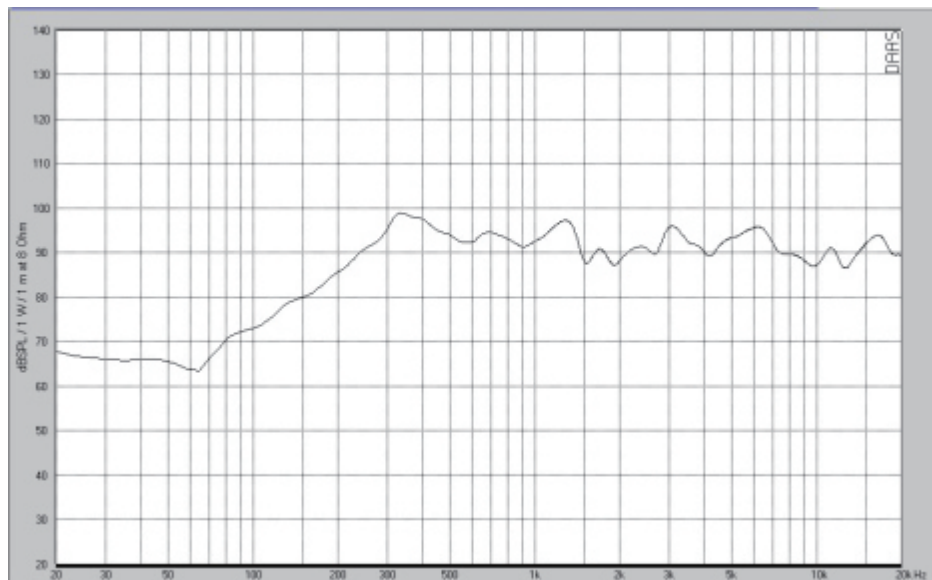
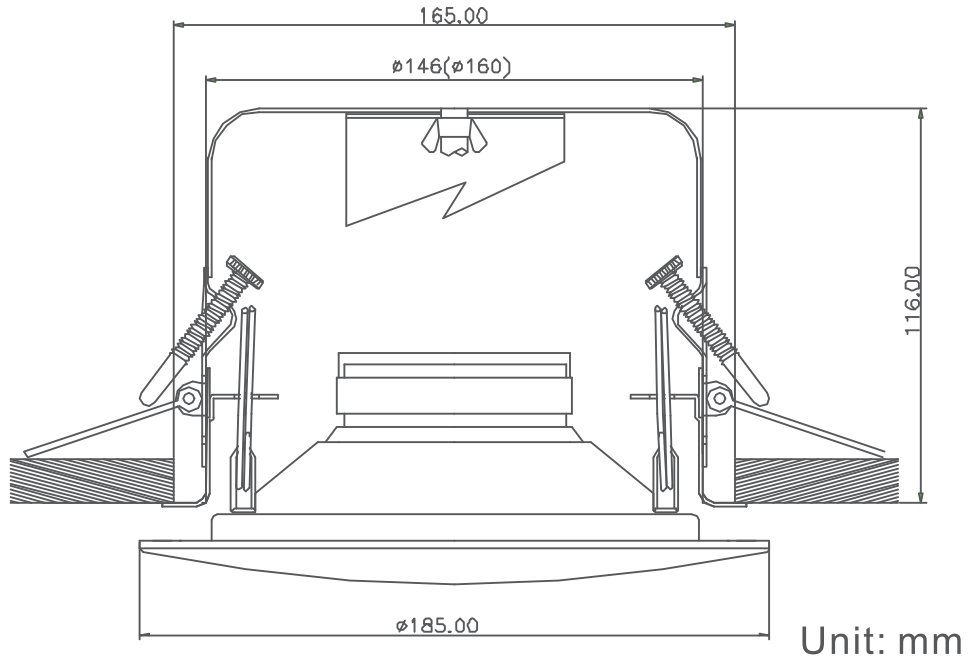
The use of headphones or earphones is strongly recommended on the audio monitoring/receiving system to avoid acoustic feedback, this is essential on monitoring systems that do not have echo-cancellation functionality.

LOUROE ELECTRONICS 6955 VALJEAN AVENUE, VAN NUYS, CA 91406 TEL (818) 994-6498 FAX (818)994-6458
website: www.louroe.com e-mail: sales@louroe.com

Dimensions and Frequency response curve for VeriFact-665



Dimensions and Frequency response curve for VeriFact-650



Specifications and Mechanical Dimesions

SPECIFICATIONS (Microphone)

Type	Electret Condenser
Audio output	Line level (0 dB @ 600) unbalanced
Microphone element sensitivity	-45 dB
Frequency response	40 Hz - 15 kHz
Audio Input Impedance	600

SPECIFICATIONS (Speaker VeriFact- 665)

Speaker power output	10W
Speaker impedance	2K Ohm
Speaker magnet	Neodymium
Speaker size	6.5"
Current Drain	1.0A
Supply Voltage	12 Vdc
Dimensions	9" Dia x 5" H
Weight	4 lbs
Shipping Weight	6 lbs

SPECIFICATIONS (Speaker VeriFact - 650)

Speaker power output	6W
Speaker impedance	2K Ohm
Speaker magnet	Neodymium
Speaker size	5.5"
Current Drain	700 mA
Supply Voltage	12 Vdc
Dimensions	7.2" Dia x 5" H
Weight	3 lbs
Shipping Weight	5 lbs

Listed product - this product must be installed with a listed LPS or Class 2 power supply.