



DATA SHEET

HDMI® HDBaseT Extender over Cat Box Transmitter to Box Receiver – 4K 60Hz

Extend 4K HDMI up to 130ft over a single Cat6a network patch cable using HDBaseT technology

OVERVIEW

The HDMI HDBaseT Extender over Cat Box Transmitter to Box Receiver – 4K 60Hz allows a 4K HDMI source to be extended up to 130ft to a 4K display using a single Cat6a Ethernet cable. This is an ideal solution for delivering uncompressed HDMI video and audio to displays in conference rooms, classrooms, lecture halls, and many other installation needs that are far beyond the length limitations of standard HDMI cabling.

This HDMI HDBaseT Extender supports 4K resolutions at 60Hz up to 130ft and 1080p at 60Hz up to 230ft when using a single, recommended Cat6a Ethernet cable. Also, extend 4K at 60Hz up to 115ft and 1080p at 60Hz up to 200ft when using Cat5e or Cat6 cabling.

This HDMI HDBaseT extender is HDCP 2.2 compliant, making sure that the connection between the source and display is secure. The bi-directional PoC (Power over Cable) function allows both the transmitter and the receiver to be powered on when either side is plugged into power, allowing for greater flexibility in installations.

FEATURES

- Extend 4K at 60Hz (4:2:0) up to 130ft and 1080p at 60Hz up to 230ft with Cat 6a cable
- Extend 4K at 60Hz (4:2:0) up to 115ft and 1080p at 60Hz up to 200ft with Cat 5e/6 cable
- HDCP 2.2 compliant, to create a secure connection between the source and display
- Bi-directional PoC, when either transmitter or receiver is plugged into power

ITEM

C2G30010

DESCRIPTION

HDMI® HDBaseT Extender over Cat Box Transmitter to Box Receiver – 4K 60Hz

SIGNAL SPECIFICATIONS

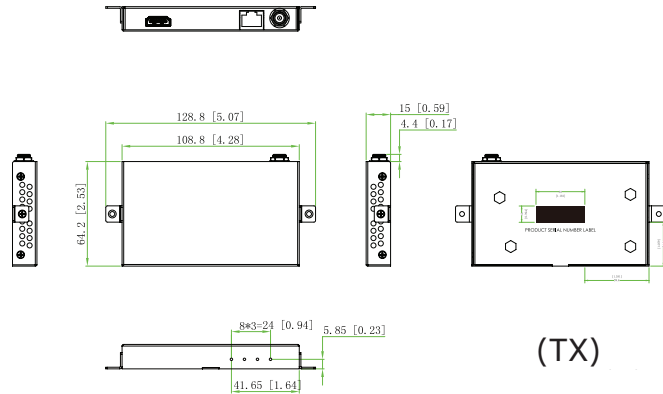
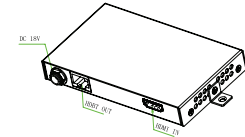
- HDMI 1.4 with 4K@60Hz 4:2:0, 8 Bit
- Cat 6a/7 cable, extends 4Kx2K@60Hz (4:2:0) signal up to 40m/130ft and 1080P@60Hz signal up to 70m/230ft
- Cat 5e cable, extends 4Kx2K@60Hz (4:2:0) signal up to 35m/115ft and 1080P@60Hz signal up to 60m/200ft

ELECTRICAL SPECIFICATIONS

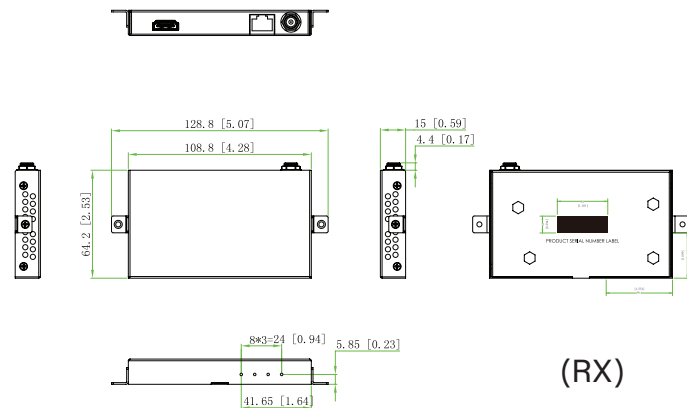
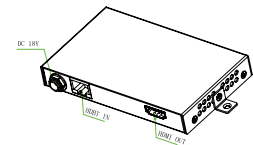
- Power Adapter Input: 100-240VAC, 50-60Hz, 0.6 A
- Power Adapter Output: 18VDC, 1 A
- Power Adapter Mechanical:
Dimensions: 80.42mm(L) x 43mm(W) x 38.5mm(H)
- Power Adapter Cable Length: 1800±50mm
- Power Adapter Pin Diameter: 2.1mm; Center Pin Polarity; Positive Electrode (+)
- Chipset: VS210

PHYSICAL SPECS/CHARACTERISTICS

- Operating Temperature: 0° C to 45° C
- Operating Humidity: 10% ~ 90%RH (Non-Condensing)
- Storage Temperature: -20° C to 70° C
- Storage Humidity: 10% ~ 90%RH (Non-Condensing)
- Material: Housing: SGCC, 0.8mm
- Color: Housing Pantone Process Black C
- Connector: HDMI: Type A Female; Plastic Core: LCP+30%GF (Black), UL94V-0; Shielding: C2680/SPCC, T=0.5mm with 100UM Nickel Plated; Pin: CU C2680 (HV180-210), T=0.2mm, 50UM Nickel with Gold Plated
- Connector: DC Jack: OD=5.5mm, ID=2.1mm; CU: Nickel Plating, 94V-0 Thermoplastic
- Connector: RJ45: 8P: Shielding: 0.2mm Thickness Copper Alloy with 50-100UM Nickel Plated; Contact: 0.35*0.43mm Phosphor Bronze Plating over Nickel (ROHS); Housing: Glass Filled PA9T (Black) UL94V-0
- Screw for Housing: M2.5*4mm Countersink; Carbon Steel (Black)
- Pull Tab: 80 x 25 x 2mm, Material: Polyester, Black Background, White Text, with Black Eyelet
- Hex Nut Tool: Material: Steel, 17 x 47 x 1.5mm
- Steel Wire: OD 1.2mm, Color: Black
- Cable Stopper: 58 x 98mm, Molded Black (Pantone/#Black 6C) 30P PVC
- Product is CE marked and conforms to 2011/65/EU ROHS 2



(TX)



(RX)

C2G®

c2g.com | legrandav.com

USA

800.CABL.911

E: trg@c2g.com

A brand of **legrand®**

©2021 Legrand AV Inc. 200821 Rev A 4/21 C2G is a registered trademark of Legrand AV Inc. All other brand names or marks are used for identification purposes and are trademarks of their respective owners. All patents are protected under existing designations. Other patents pending.

COMMERCIAL AV BRANDS

C2G | Chief | Da-Lite | Luxul | Middle Atlantic | Vaddio | Wiremold