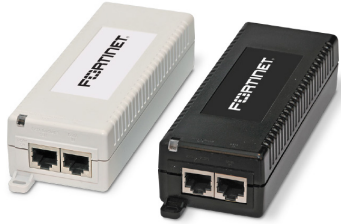
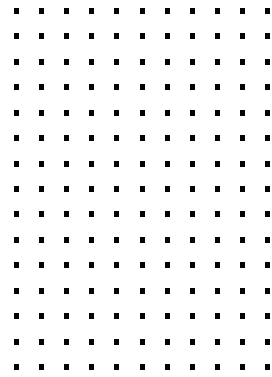


DATA SHEET

Fortinet Wireless Accessories Portfolio

Power and Mounting Options for FortiAP Devices

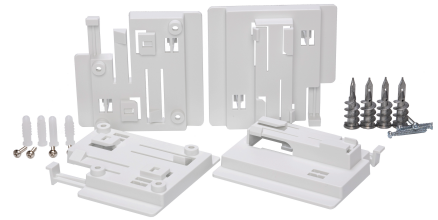
Fortinet offers a wide selection of power and mounting solutions to use with our versatile line of FortiAP and FortiAP-U access points.



PoE Injectors



DC Power Supplies



Mounting Hardware

Available Models

ACCESSORIES	SKU	DESCRIPTION	SUPPORTED MODELS
POE INJECTORS	GPI-115	IEEE 802.3af-compliant single-port, mid-span, with 15.4 Watt Gigabit Ethernet (GE) PoE	Fortinet FAP 802.3af-compliant devices
	GPI-130	IEEE 802.3at-compliant single-port, mid-span, with 30 Watt Gigabit Ethernet (GE) PoE	Fortinet FAP 802.3at-compliant devices
DC POWER SUPPLIES <i>XX refers to regional adapters</i>	SP-FAP200-PA-XX	12V, 2.5A, 30 Watt DC power supply	FAP-221E, FAP-223E, FAP-231E, FAP-U221EV, FAP-U223EV, FAP-U321EV, FAP-U323EV
	SP-FAP250-PA-10	12V, 4A, 48 Watt DC power supply (extended temperature range)	FAP-231F, FAP-U231F
	SP-FAP400-PA-XX	12V, 3A, 36 Watt DC power supply	FAP-431F, FAP-433F, FAP-U421EV, FAP-U423EV, FAP-831F
	SP-FAP43F-PA-XX-5	12V, 2.5A, 30 Watt DC power supply (Pack of 5)	FAP-U431F, FAP-U433F
	SP-FAP23J-PA-10	48V, 1.04A, 50 Watt DC power supply (Pack of 10)	FAP-23JF
	SP-FAPU24-PA	54V, 1.2A, 65 Watt DC power supply (Pack of 5)	FAP-U24JEV
MOUNTING HARDWARE	FAP-400-MNT-10	Complete wall and T-rail Mount Kit (Pack of 10)	FAP-231F, FAP-431F, FAP-433F, FAP-U431F, FAP-U433F, FAP-U221EV, FAP-U223EV, FAP-U321EV, FAP-U323EV, FAP-U421EV, FAP-U423EV
	FAP-400-SMNT-20	Mounting brackets for standard/wall or ceiling mount (Pack of 20)	FAP-231F, FAP-431F, FAP-433F, FAP-U431F, FAP-U433F, FAP-U421EV, FAP-U423EV, FAP-U221EV, FAP-U223EV, FAP-U321EV, FAP-U323EV
	FAP-SMNT-MTL-20	Metal mounting brackets for standard T-rail wall or ceiling mount (Pack of 20)	FAP-421E, FAP-423E, FAP-S421E, FAP-S423E, FAP-U421EV, FAP-U423EV, FAP-U221EV, FAP-U223EV, FAP-S221E, FAP-S223E, FAP-U321EV, FAP-U323EV, FAP-231E, FAP-431F, FAP-433F, FAP-U431F, FAP-U433F, FAP-231F
	FAP-400-RMNT-20	Mounting brackets for recessed T-rail (Pack of 20)	FAP-231F, FAP-431F, FAP-433F, FAP-U431F, FAP-U433F, FAP-U421EV, FAP-U423EV, FAP-U221EV, FAP-U223EV, FAP-U321EV, FAP-U323EV
	FAP-ENC-43X	Under-seat enclosure for stadiums and arenas	FAP-431F, FAP-U431F, FAP-231F, FAP-U231F, FAP-231E, FAP-221E, FAP-U221E, FAP-231E, FAP-U321E
	FAP-BRKT-MNT-5	Wall or Mast mounting solution for outdoor Access Points (Pack of 5)	FAP-234F, FAP-432F, FAP-U234F, FAP-U432F
	FAP-221E-MNT-50	Complete wall and T-rail Mount Kit (Pack of 50)	FAP-221E, FAP-223E
	FAP-MNT-WJ-20	Desktop stand for Wall Jack style AP's. Converts wall mounting hardware included with unit to desktop mounting (Pack of 20)	FAP-23JF, FAP-U24JEV, FAP-C24JE

POE INJECTORS

GPI-115 / GPI-130

The GPI-115 and GPI-130 utilize an intelligent design to automatically supply power to only those devices that can accept power over the Ethernet connection. It ensures that legacy non-802.3af/802.3at units can continue to operate.

SPECIFICATIONS

	GPI-115	GPI-130
HARDWARE SPECIFICATIONS		
Number of Ports	2:1 for data in, 1 for data and power out	
Pass-through Data Rates	10/100/1000 Mbps	
Maximum Cable Run	100 meters or 330 feet which corresponds to Ethernet limits	
LED Indicator	Power On/Off and overload conditions	
Connectors	Shielded RJ-45, EIA 568A and 568B	
MTBF	100,000 hrs. @25°C	
ENVIRONMENT		
Power over Ethernet Output	Pin Assignment and Polarity: 4/5 (+), 7/8 (-)Output Power Voltage: 50V DC Output Power: 15.4 Watts	Pin Assignment and Polarity: 4/5 (+), 7/8 (-)Output Power Voltage: 55V DC Output Power: 36 Watts
Input Power Requirements	AC Input Voltage: 90V to 264V AC AC Input Current: 0.5A @ 100V-240V AC AC Frequency: 47-63 Hz	AC Input Voltage: 100V to 240V AC AC Input Current: 0.8A @ 100V-240V AC AC Frequency: 50-60 Hz
Operating Ambient Temperature	32-104°F (0-40°C)	
Storage Temperature	-4-158°F (-20-70°C)	
Operating Humidity	Maximum 90%, non-condensing	
Storage Humidity	Maximum 95%, non-condensing	
Heat Dissipation	13 BTU/h (@ 240V AC)	20 BTU/h (@ 240V AC)
DIMENSIONS		
Height x Width x Length (inches)	1.28 x 2.09 x 5.5	
Height x Width x Length (mm)	32.5 x 53 x 140	
Weight	0.44 lbs (200 g)	
COMPLIANCE		
Regulatory Compliance	IEEE 802.3af (PoE), RoHS Compliant, WEEE Compliant, CE	IEEE 802.3at (PoE), RoHS Compliant, WEEE Compliant, CE
Electromagnetic Emission & Immunity	FCC Part 15, Class B, EN 55022 Class B, EN 55024, VCCI	
Safety	UL/cUL per IEC 60950-1, GS Mark per IEC 60950-1	
WARRANTY		
Time Period	1 Year	



GPI-115 & GPI-130

DC POWER SUPPLIES

SP-FAP200-PA-XX / SP-FAP250-PA-10 / SP-FAP400-PA-XX/ SP-FAP43F-PA-XX-5/ SP-FAP23J-PA-10/ SP-FAPU24-PA

Fortinet's DC Power Supplies provide constant and regulated power with standard regional plugs and plug adapters for 110-240V input sources. Output power ranges range from 30W to 65W, specifically designed to optimize FortiAP power requirements.

SPECIFICATIONS

	SP-FAP200-PA-XX*	SP-FAP250-PA-10	SP-FAP400-PA-XX	SP-FAP43F-PA-XX-5	SP-FAP23J-PA-10*	SP-FAPU24-PA**
POWER SPECIFICATIONS						
Input Power	110-240V AC	110-240V AC	110-240V AC	110-240V AC	110-240V AC	110-240V AC
Output Power	30W (12V DC @ 2.5A)	48W (12V DC @ 4A)	36W (12V @ 3A)	30W (12V @ 2.5A)	50W (48V @ 1.04A)	65W (54V @ 1.2A)
Operating Temperature	0°C to 40°C (32°F to 104°F)	0°C to 50°C (32°F to 122°F)	0°C to 40°C (32°F to 104°F)	0°C to 40°C (32°F to 104°F)	0°C to 40°C (32°F to 104°F)	0°C to 40°C (32°F to 104°F)
SUPPORTED MODELS						
FAP-221E	⊙	—	—	—	—	—
FAP-223E	⊙	—	—	—	—	—
FAP-U221EV	⊙	—	—	—	—	—
FAP-U223EV	⊙	—	—	—	—	—
FAP-U321EV	⊙	—	—	—	—	—
FAP-U323EV	⊙	—	—	—	—	—
FAP-231E	⊙	—	—	—	—	—
FAP-231F	—	⊙	—	—	—	—
FAP-U231F	—	⊙	—	—	—	—
FAP-431F	—	—	⊙	—	—	—
FAP-433F	—	—	⊙	—	—	—
FAP-U421EV	—	—	⊙	—	—	—
FAP-U423EV	—	—	⊙	—	—	—
FAP-831F	—	—	⊙	—	—	—
FAP-U431F	—	—	—	⊙	—	—
FAP-U433F	—	—	—	⊙	—	—
FAP-23JF	—	—	—	—	⊙	—
FAP-U24JEV	—	—	—	—	—	⊙

*Requires an AC power cord (not supplied)



SP-FAP400 Series



SP-FAPU24/23J Series



SP-FAP200/250 Series



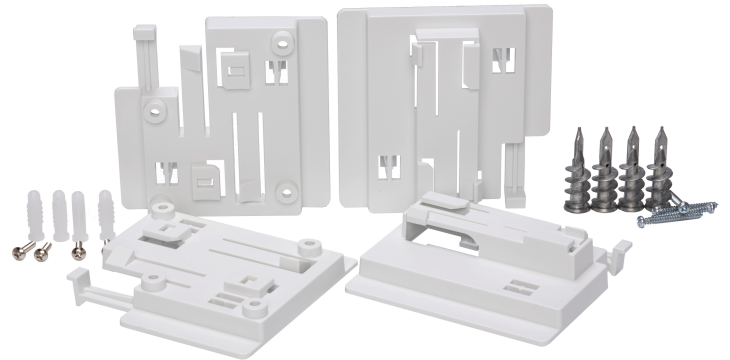
MOUNTING HARDWARE

FAP-400-MNT-10 / FAP-400-SMNT-20 / FAP-SMNT-MTL-20 / FAP-400-RMNT-20 / FAP-ENC-43X / FAP-BRKT-MNT-5 / FAP-221E-MNT-50 / FAP-MNT-WJ-20

Fortinet offers complete kits for wall, ceiling T-Rail, recessed T-Rail, under-seat wedge enclosure, articulated wall or pole, desktop and wall jack conversion mounting solutions.

FAP-400-MNT-10

FAP-400-MNT-10	
HARDWARE	
Mounting Type	Wall Mount T-Rail Mount
Number of Kits	10
SUPPORTED MODELS	
FAP-U221EV/UV223EV	✓
FAP-U321EV/U323EV	✓
FAP-U421EV/U423EV	✓
FAP-231F	✓
FAP-431F/433F	✓
FAP-U431F/U433F	✓



FAP Ceiling/Wall Mount Bracket

FAP-400-SMNT-20

FAP-400-SMNT-20	
HARDWARE	
Mounting Type	Wall Mount Ceiling Mount
Number of Kits	20
SUPPORTED MODELS	
FAP-U221EV/UV223EV	✓
FAP-U321EV/U323EV	✓
FAP-U421EV/U423EV	✓
FAP-231F	✓
FAP-431F/433F	✓
FAP-U431F/U433F	✓



FAP-400 Wall/Ceiling Mount

FAP-400-RMNT-20

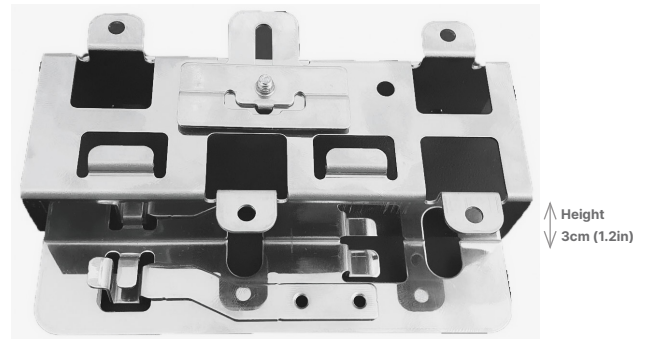
FAP-400-RMNT-20	
HARDWARE	
Mounting Type	Recessed T-Rail Mount
Number of Kits	20
SUPPORTED MODELS	
FAP-U221EV/UV223EV	✓
FAP-U321EV/U323EV	✓
FAP-U421EV/U423EV	✓
FAP-231F	✓
FAP-431F/433F	✓
FAP-U431F/U433F	✓



FAP-400 Recessed T-Rail Mount

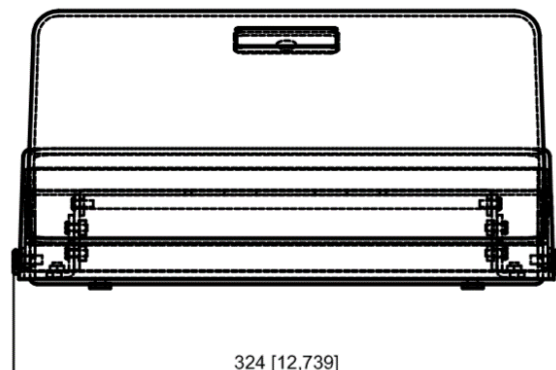
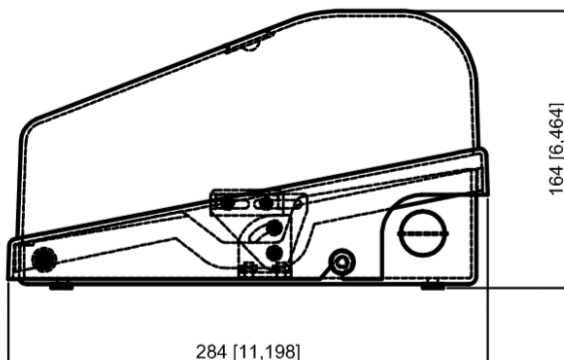
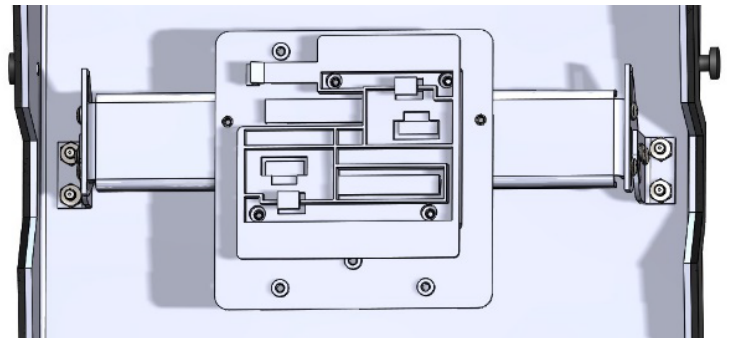
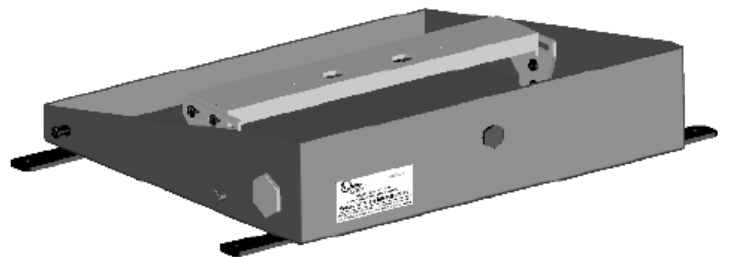
FAP-SMNT-MTL-20

FAP-SMNT-MTL-20	
HARDWARE	
Mounting Type	Adjustable Metallic Wall or Ceiling Mount
Number of Kits	20
SUPPORTED MODELS	
FAP-U221EV/U223EV	☑
FAP-U321EV/U323EV	☑
FAP-U421EV/U423EV	☑
FAP-231E	☑
FAP-421E/423E	☑
FAP-231F	☑
FAP-431F/433F	☑
FAP-U431F/U433F	☑



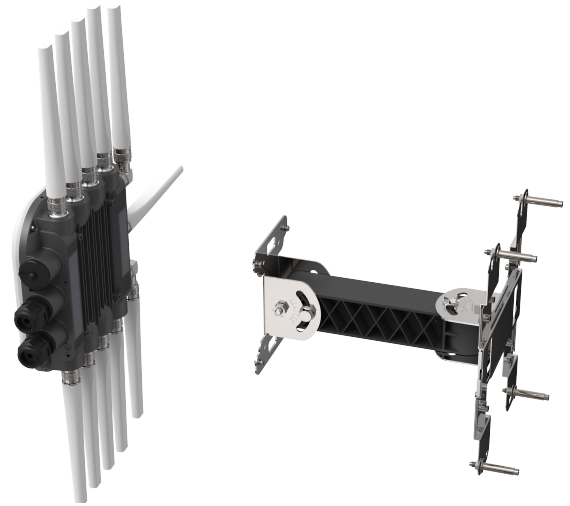
FAP-ENC-43X

FAP-ENC-43X	
HARDWARE	
Mounting Type	Under-Seat Wedge Wall Mount (Any Flat Surface)
APPLICATION	
Indoor/Outdoor	☑
Inconspicuous	☑
Harsh Environments	☑
Stadiums and Arenas	☑
MECHANICAL	
Polycarbonate Cover	☑
Power Coated, Heavy-Gauge 5052 Aluminum, Mounting Plate	☑
Gore Membrane Vent	☑
Adapted Plate Included	☑
Supported Models	
FAP-221E/231E	☑
FAP-U221EV	☑
FAP-U321EV/U323EV	☑
FAP-231F/U231F	☑
FAP-431F/U431F	☑



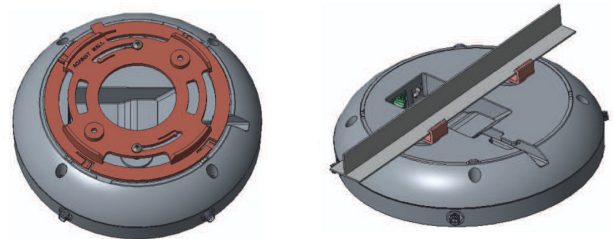
FAP-BRKT-MNT-5

FAP-BRKT-MNT-5	
HARDWARE	
Mounting Type	Fully Articulated Wall Mount Pole/Mast Mount
Number of Kits	5
SUPPORTED MODELS	
FAP-234F	<input checked="" type="checkbox"/>
FAP-432F	<input checked="" type="checkbox"/>
FAP-U234F	<input checked="" type="checkbox"/>
FAP-U432F	<input checked="" type="checkbox"/>



FAP-221E-MNT-50

FAP-221E-MNT-50	
HARDWARE	
Mounting Type	Wall Mount T-Rail
Number of Kits	50
SUPPORTED MODELS	
FAP-221E/223E	<input checked="" type="checkbox"/>



FAP-MNT-WJ-20

FAP-MNT-WJ-20	
HARDWARE	
Mounting Type	Desktop Stand
Number of Kits	20
SUPPORTED MODELS	
FAP-C24JE	<input checked="" type="checkbox"/>
FAP-U24JEV	<input checked="" type="checkbox"/>
FAP-23JF	<input checked="" type="checkbox"/>



ORDER INFORMATION

PRODUCT	SKU	DESCRIPTION
POE INJECTORS	GPI-115	IEEE 802.3af-compliant single-port, mid-span, with 15.4 Watt Gigabit Ethernet (GE) PoE
	GPI-130	IEEE 802.3at-compliant single-port, mid-span, with 30 Watt Gigabit Ethernet (GE) PoE
DC POWER SUPPLIES	SP-FAP200-PA-XX	12V, 2.5A, 30 Watt DC power supply
	SP-FAP250-PA-10	12V, 4A, 48 Watt DC power supply (extended temperature range)
	SP-FAP400-PA-XX	12V, 3A, 36 Watt DC power supply
	SP-FAP43F-PA-XX-5	12V, 2.5A, 30 Watt DC power supply (Pack of 5)
	SP-FAP23J-PA-10	48V, 1.04A, 50 Watt DC power supply (Pack of 10)
	SP-FAPU24-PA	54V, 1.2A, 65 Watt DC power supply (Pack of 5)
	FAP-400-MNT-10	Complete wall and T-rail Mount Kit (Pack of 10)
MOUNTING HARDWARE	FAP-400-SMNT-20	Mounting brackets for standard/ wall or ceiling mount (Pack of 20)
	FAP-SMNT-MTL-20	Metal mounting brackets for standard T-rail wall or ceiling mount (Pack of 20)
	FAP-400-RMNT-20	Mounting brackets for recessed T-rail (Pack of 20)
	FAP-ENC-43X	Under-seat enclosure for stadiums and arenas
	FAP-BRKT-MNT-5	Wall or Mast mounting solution for outdoor Access Points (Pack of 5)
	FAP-221E-MNT-50	Complete wall and T-rail Mount Kit (Pack of 50)
	FAP-MNT-VJ-20	Desktop stand for Wall Jack style APs. Converts wall mounting hardware included with unit to desktop mounting (Pack of 20)



www.fortinet.com

Copyright © 2021 Fortinet, Inc. All rights reserved. Fortinet®, FortiGate®, FortiCare® and FortiGuard®, and certain other marks are registered trademarks of Fortinet, Inc., and other Fortinet names herein may also be registered and/or common law trademarks of Fortinet. All other product or company names may be trademarks of their respective owners. Performance and other metrics contained herein were attained in internal lab tests under ideal conditions, and actual performance and other results may vary. Network variables, different network environments and other conditions may affect performance results. Nothing herein represents any binding commitment by Fortinet, and Fortinet disclaims all warranties, whether express or implied, except to the extent Fortinet enters a binding written contract, signed by Fortinet's General Counsel, with a purchaser that expressly warrants that the identified product will perform according to certain expressly-identified performance metrics and, in such event, only the specific performance metrics expressly identified in such binding written contract shall be binding on Fortinet. For absolute clarity, any such warranty will be limited to performance in the same ideal conditions as in Fortinet's internal lab tests. Fortinet disclaims in full any covenants, representations, and guarantees pursuant hereto, whether express or implied. Fortinet reserves the right to change, modify, transfer, or otherwise revise this publication without notice, and the most current version of the publication shall be applicable.