

TNO-X6072EPT1-Z

2 MP Network Explosion Proof Fixed Camera



Key Features

- 2 MP (1920 x 1080) resolution
- 2.8-9mm Auto-Iris, P-Iris Lens
- H.265, H.264, MJPEG codec support
- Multiple streaming, WiseStreamII support
- Day & Night (ICR), WDR (150dB)
- DIS with Built-in Gyro sensor
- Dual SD Memory slots (Maximum 2 x 256GB)
- Hazardous Rated for Class II III Division 1 Groups B, C, D, E, F, G
- cFmus Approved and II 2 G Ex db IIB+H2 II 2 D Ex tb IIIC IECEX ATEX certified
- Power-coated aluminum housing

Accessories (Optional)



HT-F1XX-WM Wall Mount (Required)



HT-SPMA-SD Pole Mount Adapter



HT-SD-CM Corner Mount Adapter



HT-SF-FP Fall Protection Lanyard Kit

US: Class I Division 1 Groups BCD T6 Ta = -40°C to +60°C, Type 4X, IP66
 Class II/III Division 1 Groups EFG Ta = -40°C to +60°C, Type 4X, IP66
 Canada: Class I Division 1 Groups BCD T6 Ta = -50°C to +60°C, Type 4X, IP66
 Class II/III Division 1 Groups EFG Ta = -50°C to +60°C, Type 4X, IP66
 Class I, Zone 1, AEx/Ex db IIB+H2 T5 Gb Ta = -50°C to +60°C, Type 4X, IP66
 Zone 21, AEx/Ex tb IIIC T85°C Db Ta = -50°C to +60°C, Type 4X, IP66



II 2 G Ex db IIB+H2 T5 Gb Ta = -50°C to +60°C, IP66
 II 2 D Ex tb IIIC T85°C Db Ta = -50°C to +60°C, IP66
 CERT NO. FM18ATEX0073X & IECEX FMG 18.0029X

TNO-X6072EPT1-Z

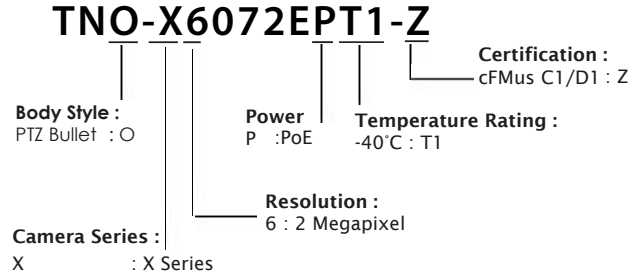
VIDEO	
Imaging Device	1/2.8" 2MP CMOS
Total Pixels	1,945(H) x 1,109(V) 2.16MP
Effective Pixels	1,945(H) x 1,097(V) 2.13MP
Scanning System	Progressive Scan
Minimum Illumination	Color : 0.01Lux (F1.2, 1/30sec), B/W : 0.001Lux (F1.2, 1/30sec)
S / N Ratio	50dB
Video Out	CVBS : 1.0 Vpp / 75Ω composite, 720 x 480, for installation USB : micro USB type B, 1280 x 720 for installation
LENS	
Focus Control	Simple focus / Manual, Remote control via network, Button control (Manual, Simple focus)
Lens Type	Manual / DC auto iris, P-Iris, C/CS lens mount
Focal Length/ Angular FoV	2.8-9mm / 98° (Wide) ~ 39° (Tele)
OPERATIONAL	
Camera Title	Off / On (Displayed up to 85 characters) - English / Numeric / International characters / Special characters - Common : Multi-line (Max. 5), Color (Grey / Green / Red / Blue / Black / White), Transparency, Auto scale by resolution
Day & Night	Auto (ICR) / Color / B/W / External / Schedule
Backlight Compensation	Off / BLC / HLC (Masking / Dimming), WDR
Wide Dynamic Range	150dB
Contrast Enhancement	SSDR (Off / On)
Digital Noise Reduction	SSNRV (2D+3D noise filter) (Off / On)
Digital Image Stabilization	Off / On (Built-in Gyro sensor)
Defog	Off / Auto (Input from fog detection) / Manual
Motion Detection	Off / On (8ea, 8point polygonal zones), Handover
Privacy Masking	Off / On (32ea, Polygonal) - Color : Grey / Green / Red / Blue / Black / White, Mosaic
Gain Control	Off / Low / Middle / High / Manual
White Balance	ATW / AWC / Manual / Indoor / Outdoor (Included mercury & Sodium)
Contrast	Level adjustment
LDC (Lens Distortion Correction)	Off / On (5 levels with min / max)
Electronic Shutter Speed	Minimum / Maximum / Anti Flicker (2 ~ 1/12,000sec)
Digital PTZ	24x, Digital PTZ (Preset, Group)
Flip / Mirror	Off / On, Hallway view : 90°/270°
Video & Audio Analytics	Tampering, Loitering, Directional detection, Defocus detection, Fog detection, Virtual line, Enter / Exit, (Dis)Appear, Audio detection, Face detection, Motion detection, Digital auto tracking, Sound classification
Alarm I/O	Input 1ea / Output 1ea
Remote Control Interface	RS-485
RS-485 Protocol	Samsung-T/E, Pelco-P/D, Sungjin, Panasonic, Honeywell, AD, Vicon, GE, Bosch
Alarm Triggers	Alarm input, Motion detection, Video & Audio analytics, Network disconnect
Alarm Events	File upload via FTP, E-mail, Notification via E-mail, Local storage (SD/SDHC/SDXC) or NAS recording at event triggers, External output, DPTZ preset
Pixel Counter	Support
NETWORK	
Ethernet	RJ-45 (10/100BASE-T)
Video Compression Format	H.265 / H.264 (MPEG-4 part 10/AVC) : Main / Baseline / High, MJPEG
Resolution	1920 x 1080, 1280 x 1024, 1280 x 960, 1280 x 720, 1024 x 768, 800 x 600, 800 x 448, 720 x 576, 720 x 480, 640 x 480, 640 x 360, 320 x 240
Maximum Framerate	H.265 / H.264 : Maximum 60fps at all resolutions, MJPEG : Maximum 30fps
Smart Codec	Manual mode (Area-based : 5ea)
WiseStream II	Support
Video Quality Adjustment	H.265 / H.264 : Target bitrate level control, MJPEG : Target bitrate level control
Bitrate Control Method	H.265 / H.264 : CBR or VBR, MJPEG : VBR
Streaming Capability	Multiple streaming (Up to 10 profiles)
Audio In	Selectable (Mic in / Line in), Max output level : 1Vrms Supply voltage : 2.5V DC (4mA), Input impedance : approx. 2K Ohm
Audio Out	Line out, Max output level : 1Vrms
Audio Compression Format	G.711 u-law/G.726 selectable, G.726 (ADPCM) 8KHz, G.711 8KHz G.726 : 16Kbps, 24Kbps, 32Kbps, 40Kbps, AAC-LC : 48Kbps at 8/16/32/48KHz
Audio Communication	Bi-directional (2-way)
IP	IPv4, IPv6
Protocol	TCP/IP, UDP/IP, RTP(UDP), RTP(TCP), RTCP, RTSP, NTP, HTTP, HTTPS, SSL/TLS, DHCP, PPPoE, FTP, SMTP, ICMP, IGMP, SNMPv1/v2c/v3(MIB-2), ARP, DNS, DDNS, QoS, PIM-SM, UPnP, Bonjour
Security	HTTPS(SSL) login authentication, Digest login authentication IP address filtering, User access log, 802.1X authentication (EAP-TLS, EAP-LEAP)
Streaming Method	Unicast / Multicast
Maximum User Access	20 users at unicast mode
Edge Storage	SD/SDHC/SDXC 2 slots (Up to 512GB) - Continuous recording (1st slot to 2nd slot) NAS (Network Attached Storage), Local PC for instant recording
Application Programming Interface	ONVIF profile S/G, SUNAPI (HTTP API), Wisenet Open Platform
Webpage Language	English, Korean, Chinese, French, Italian, Spanish, German, Japanese, Russian, Swedish, Portuguese, Czech, Polish, Turkish, Dutch, Hungarian, Greek Supported OS : Windows 7, 8.1, 10, Mac OS X 10.10, 10.11, 10.12
Web Viewer	Plugin-Free Webviewer - Supported Browser : Google Chrome 54, MS Edge 38, Mozilla Firefox 49 (Windows 64-bit only), MS Internet Explorer 11, Apple Safari 9 * Mac OS X only
Central Management Software	Wisenet WAVE, SmartViewer, SSM
ENVIRONMENTAL	
Operating Temperature with heater	-40°C ~ +60°C (-40°F ~ +140°F) USA; -50°C ~ +60°C (-58°F ~ +140°F) Canada
Operating Temperature PoE only	-10°C ~ +55°C (+14°F ~ +131°F)
Storage Temperature / Humidity	-50°C ~ +60°C (-58°F ~ +140°F) / Less than 90% RH
Ingress Protection	Type 4x / IP66
ELECTRICAL	
Input Voltage	Camera: PoE (IEEE802.3af) / Heater: 12-24V DC
Power Consumption	Camera: Maximum 7.5W (PoE) / Heater: 25W
MECHANICAL	
Color / Material	RAL2000-Yellow Orange / Powder-coated Aluminum
Dimensions (WxHxD)	7.2" x 5.97" x 13.85"
Weight	14 lb (6.35kg)

* The latest product information / specification can be found at hanwhasecurity.com
 * Design and specifications are subject to change without notice.
 * Wisenet is the proprietary brand of Hanwha Techwin, formerly known as Samsung Techwin.

TNO-X6072EPT1-Z

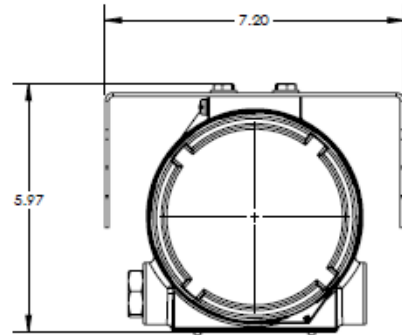
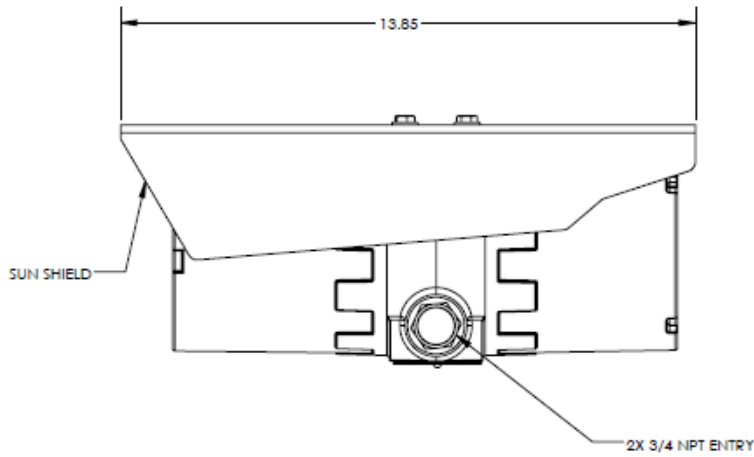
2 MP 32x Network PTZ Explosion Proof Dome Camera

Model Number:



Dimensions

Unit : inch



US: Class I Division 1 Groups BCD T6 Ta= -40°C to +60°C, Type 4X, IP66
 Class II/III Division 1 Groups EFG Ta= -40°C to +60°C, Type 4X, IP66
 Canada: Class I Division 1 Groups BCD T6 Ta= -50°C to +60°C, Type 4X, IP66
 Class II/III Division 1 Groups EFG Ta= -50°C to +60°C, Type 4X, IP66
 Class I, Zone 1, AEx/Ex db IIB+H2 T5 Gb Ta = -50°C to +60°C, Type 4X, IP66
 Zone 21, AEx/Ex tb IIIC T85°C Db Ta = -50°C to +60°C, Type 4X, IP66



II 2 G Ex db IIB+H2 T5 Gb Ta = -50°C to +60°C, IP66
 II 2 D Ex tb IIIC T85°C Db Ta = -50°C to +60°C, IP66
 CERT NO. FM18ATEX0073X & IECEx FMC 18.0029X