



LEVEL 20 HT



Contents

- Core Values of TT Premium ----- 03
- Tt LCS Certified ----- 04
- Thermaltake Level 20 HT Full Tower Chassis ----- 07
- Distinctive Design DNA ----- 09
- Tempered Glass Window With Ultimate Viewing Angles ----- 11
- Superior Hardware Expansion ----- 13
- Exceptional Cooling Possibilities ----- 15
- Dust Reduction ----- 17
- Modern I/O Ports ----- 18
- DMD: Dismantlable Modular Design ----- 19
- Radiator Compatibility List ----- 22
- Fan Compatibility List ----- 24
- Thermaltake Compatible Fan ----- 24
- Specification ----- 26

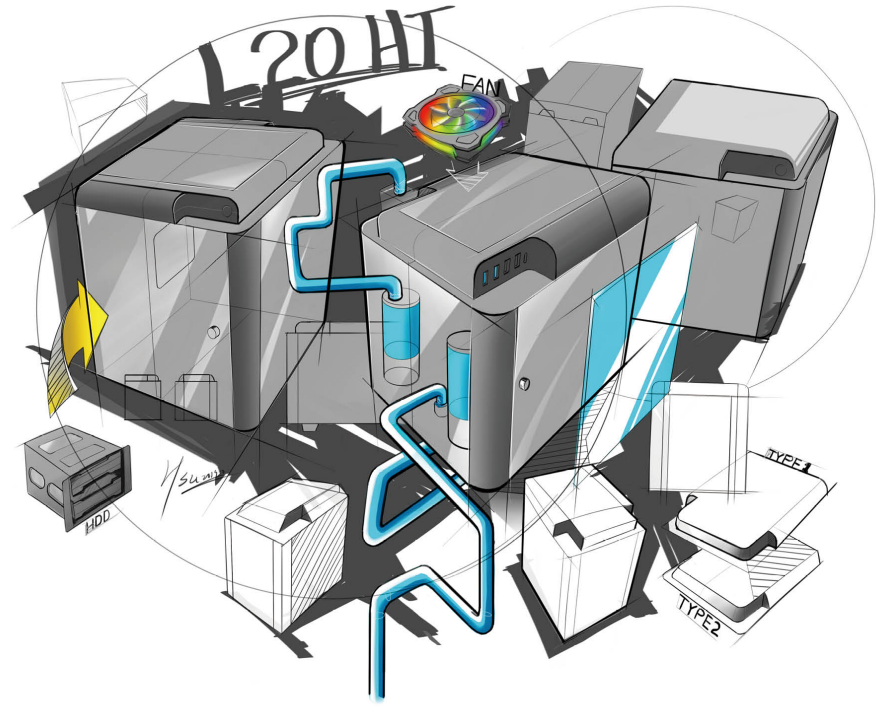


Core Values of TT Premium

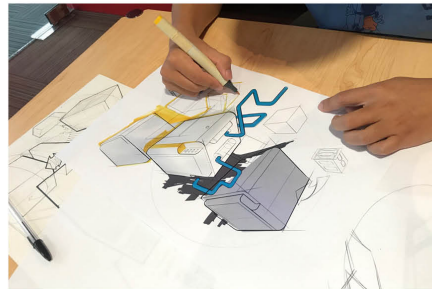
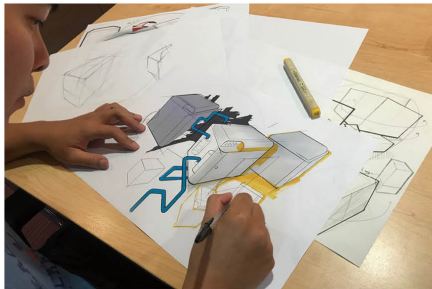
To continue achieving the corporate mission of delivering the perfect user experience, Thermaltake developed “TT Premium” with the essence of combining supreme quality products with a new logo design. TT Premium is far more than just a guarantee of quality. Behind the name, it represents the passion in DIY, Modding and Thermaltake’s desire to be the most innovative brand in the PC hardware market. To satisfy the demand of the high-end PC users, TT Premium follows its core values of Excellent Quality, Unique Design, Diverse Combinations and Boundless Creativity to provide a high performance PC product for every enthusiast.

Tt LCS Certified

Tt LCS Certified is a Thermaltake exclusive certification applied to only products that pass the design and hardcore enthusiasts standards that a true LCS chassis should be held to. The Tt LCS certification was created so that we at Thermaltake can designate to all power users which chassis have been tested to be best compatible with extreme liquid cooling configurations to ensure you get the best performance from the best features and fitment.



Game With Your BattleStation



Thermaltake Level 20 HT Full Tower Chassis

Distinctive from most cases on the market, the Level 20 HT full tower chassis is specially constructed to continue the legend of the Level 20 series case family. It features four durable 4mm thick tempered glass windows, two preinstalled 140mm standard fans on the top, and is designed with outstanding system ventilation. The chassis is a premium choice that inhabits a vertical mount design and expansion capabilities for massive custom liquid-cooled systems. The Level 20 HT takes our latest case innovations and wraps them in an ultra-modern style that's utterly unique in the case market today. Stand out from the crowd with the Level 20 HT.





Distinctive Design DNA

Embedded with the appearance of Level 20 chassis, the pillars of Level 20 HT carry the same structural aesthetics and architectural design but with a vertical tower body. Components in the Level 20 HT are chambers, allowing maximum ventilation and space management optimization.



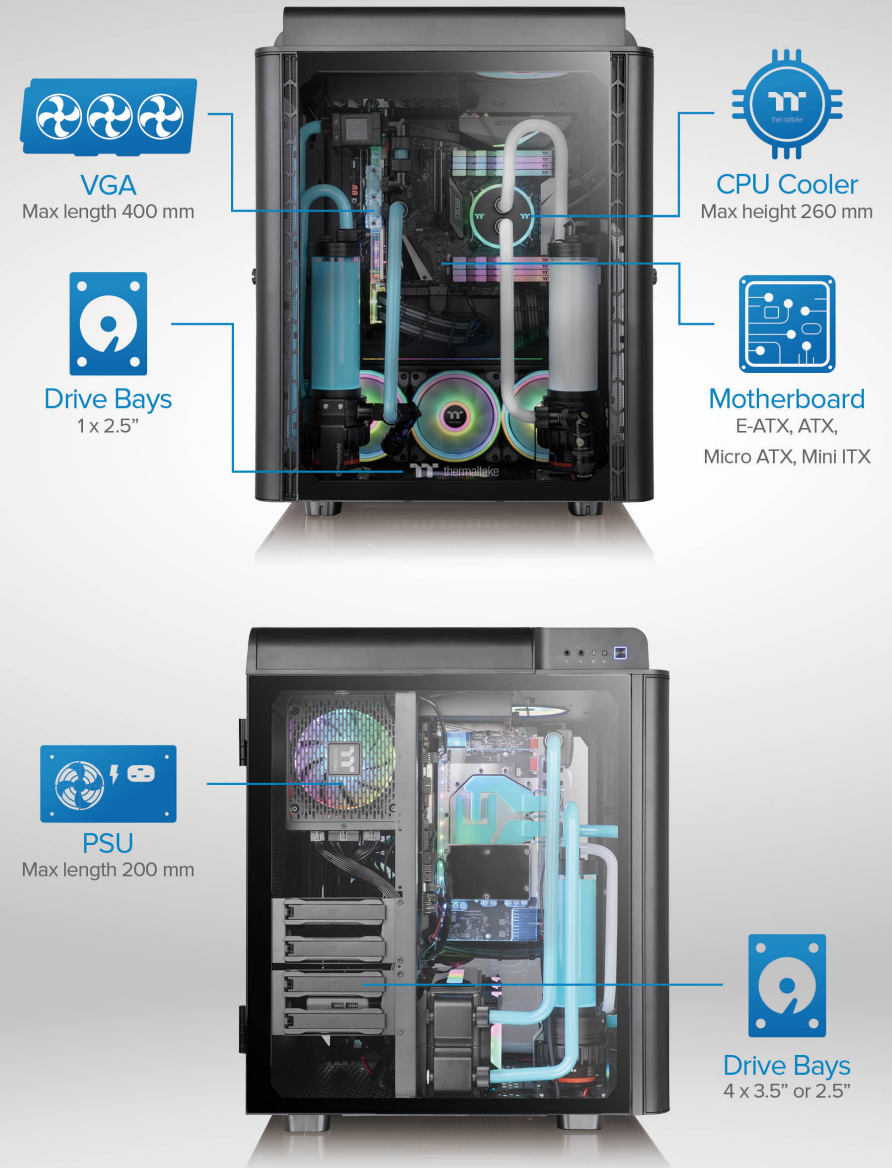
Tempered Glass Window With Ultimate Viewing Angles

The Level 20 HT comes with four tempered glass panels at the front, top and both sides which make it easy to display the internal components. The left and right hinged doors are also equipped with a smart lock security system allowing you to easily secure the inner components of your case.



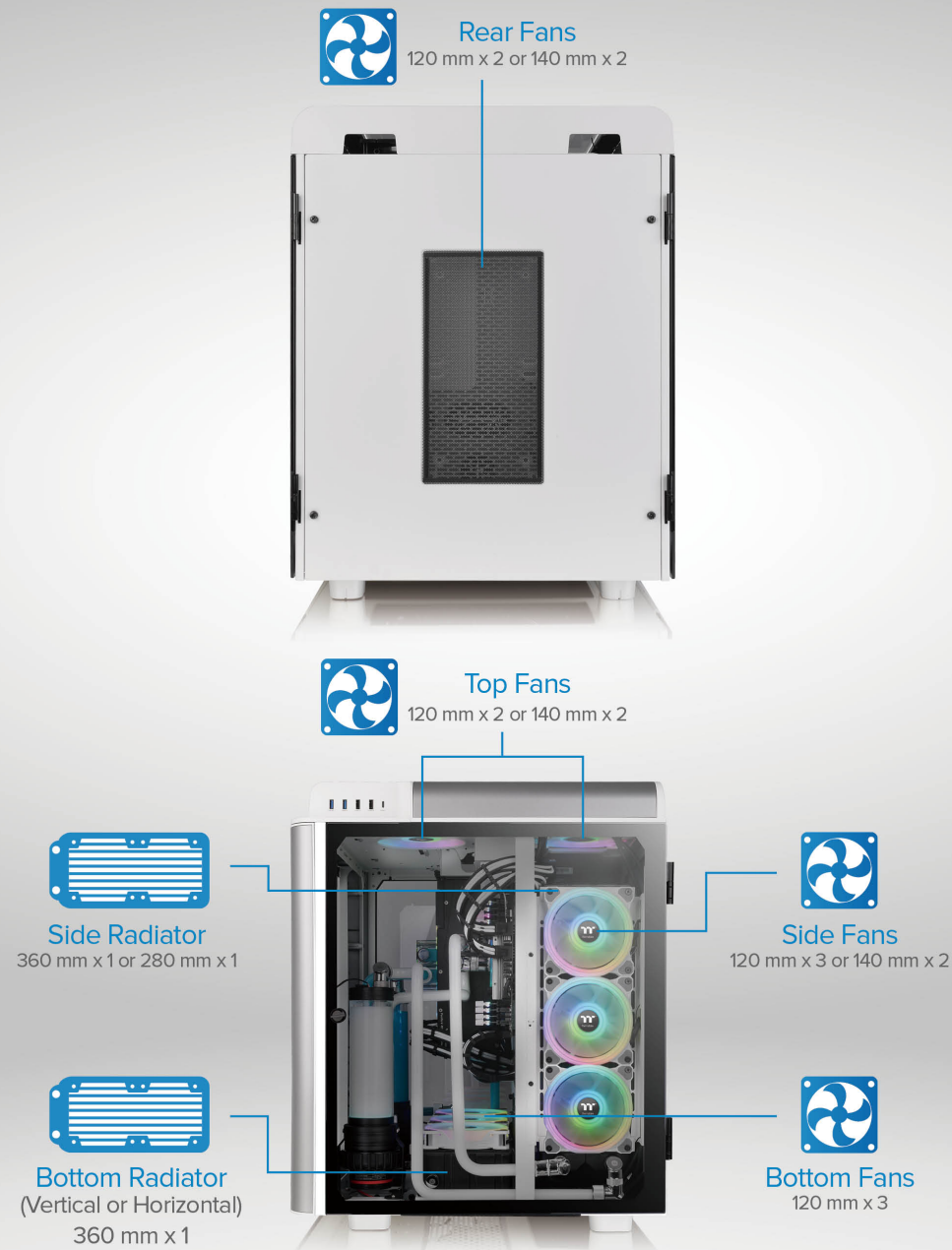
Superior Hardware Expansion

The Level 20 HT/HT Snow Edition contains outstanding expandability options, allowing you to build the most high-end system you can dream of. It can support motherboards up to a standard E-ATX, a CPU cooler with a maximum height of 260mm, multi-GPU configurations can be vertically mounted up to 400mm in length (without a HDD rack), a power supply with a length of up to 200mm, and four 2.5"/3.5" (with HDD cage) and one 2.5" (with HDD bracket) storage devices.



Exceptional Cooling Possibilities

The Level 20 HT is optimized with outstanding cooling capabilities, delivering fantastic cooling efficiency. Besides two pre-installed standard 140mm exhaust fans on top, this case can accommodate up to three 120mm fans at the bottom and side and two 120mm/140mm fans on top, at the side, or the rear depending on your preference. The Level 20 HT can fit up to 360mm DIY liquid cooling radiators at the bottom and the side.





Dust Reduction

Well-designed quick removal magnetic fan filters on the back and at the base provide excellent dust protection and dirt reduction, ensuring a dust-free environment.

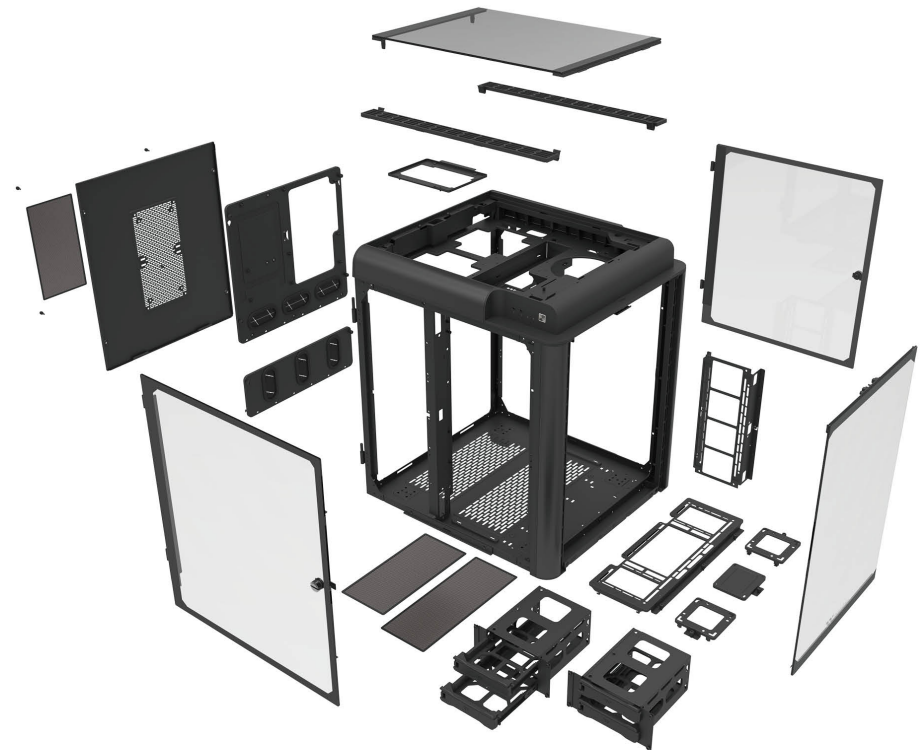


Modern I/O Ports

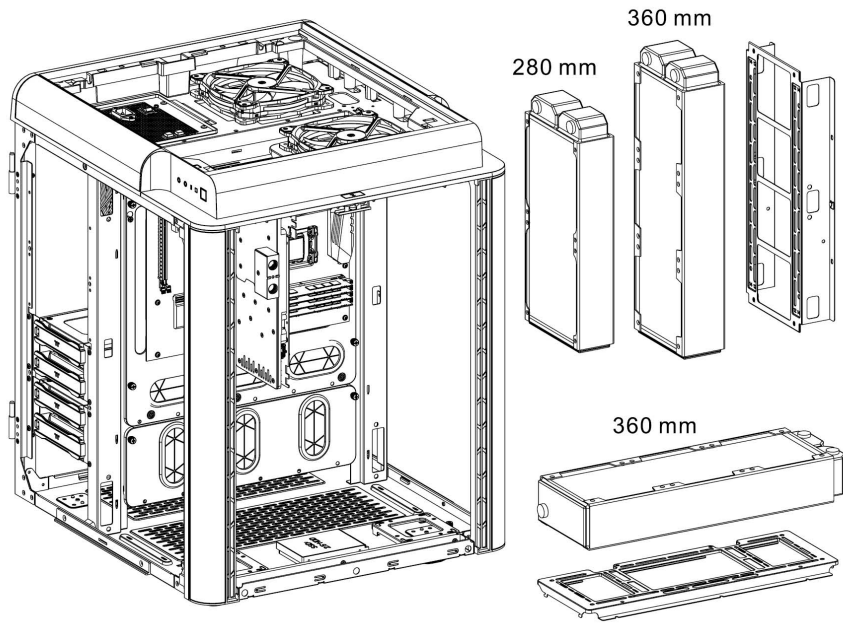
The top-right I/O port panel features two USB 3.0 and two USB 2.0 data transfer ports, along with one USB 3.1 Type-C port.

DMD: Dismantlable Modular Design

Strip your case down to the bones and install elements when and as you need them with our modular design. The Level 20 HT features modular panels, racks, brackets, and pre-design mounting arrays. No more unreachable screw corners or gaps, installation can be a breeze with our Dismantlable Modular Design.



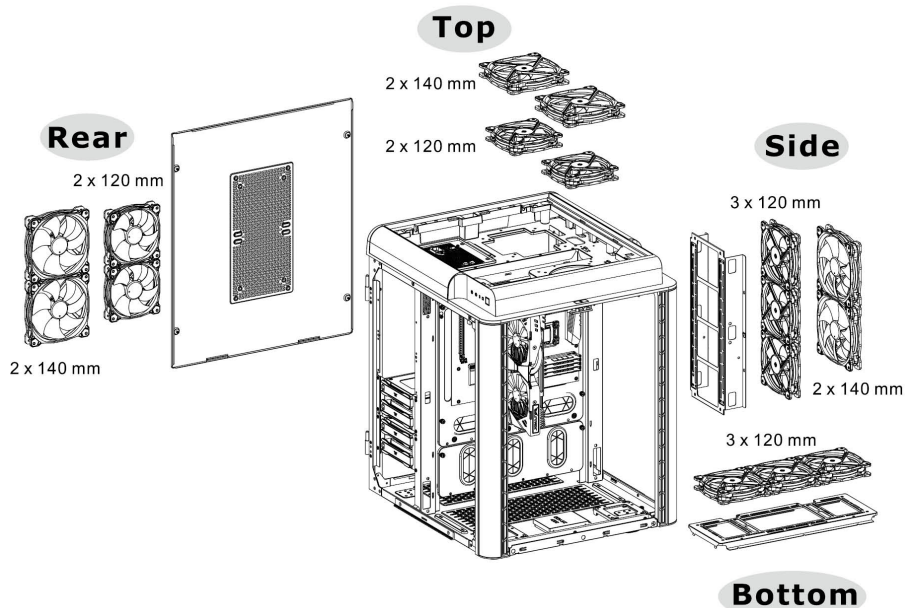
Side



Bottom

Radiator Compatibility List

	120mm	240mm	360mm	140mm	280mm
Side	●	●	●	●	●
Bottom	●	●	●	-	-



Fan Compatibility List

	120mm	140mm
Side	3	2
Top	2	2
Rear	2	2
Bottom	3	-

Thermaltake Compatible Fan

	120mm	140mm
PURE FAN Series	●	●
Riing FAN Series	●	●



Model	Level 20 HT	Level 20 HT Snow
P/N	CA-1P6-00F1WN-00	CA-1P6-00F6WN-00
Case Type	Full Tower	
Chassis Dimension (H*W*D)	613 x 468 x 503 mm (24.13 x 18.43 x 19.8 inch)	
Net Weight	20.38 kg / 44.93 lb	20.54 kg / 45.28 lb
Side Panel	4 x Tempered Glass (4mm thickness)	
Color	Exterior & Interior : Black	Exterior & Interior : White
Material	SPCC	
Cooling System	Top (exhaust) : 2 x 140 x 140 x 25 mm Turbo fan (1000rpm, 16dBA)	
Drive Bays		
-Accessible	4 x 3.5" or 2.5" (With HDD Cage)	
-Hidden	1 x 2.5" (With HDD Bracket)	
Expansion Slots	8	
Motherboard	6.7" x 6.7" (Mini ITX), 9.6" x 9.6" (Micro ATX), 12" x 9.6" (ATX) , 12" x 13" (E-ATX)	
I/O Port	1 x Type-C, 2 x USB 2.0, 2 x USB 3.0, 1 x HD Audio	
PSU	Standard PS2 PSU (optional)	
Fan Support	Left / Right Side: 3 x 120mm , 2 x 140mm Top: 2 x 120mm , 2 x 140mm Rear: 2 x 120mm , 2 x 140mm Bottom: 3 x 120mm	
Radiator Support	Left / Right Side: 1 x 360mm , 1 x 280mm Bottom: 1 x 360mm	
Clearance	CPU cooler height limitation: 260mm VGA length limitation: 400mm PSU length limitation: 200mm	



Asia

Taiwan Headquarter - Thermaltake Technology Co., Ltd
5F, No. 185, Sec.2, Tiding Blvd., Neihu Dist., Taipei City 114, Taiwan
TEL : +886-2-8797-5788
FAX : +886-2-8797-8055
E-MAIL : info@thermaltake.com
<http://www.thermaltake.com>

China - Thermaltake Capital Beijing Co., Ltd.

#907, HaiTai Plaza, No. 229, North 4th Ring Road,
Haidian District, Beijing, 100083, PRC
TEL : +86-10-8288-3159
FAX : +86-10-8288-3302
E-MAIL : ttchina@thermaltake.com.cn
<http://www.thermaltake.com.cn>

America

U.S.A - Thermaltake Inc.
20420 Business Parkway, City of Industry, CA, 91789
TEL : +1626-968-9189
Toll free no. : +1800-988-1088
FAX : +1626-968-7659
E-MAIL : sales@thermaltakeusa.com
<http://www.thermaltakeusa.com>

Europe

Germany - Thermaltake Germany GmbH
Oststrasse 26, 22844 Norderstedt, Germany
TEL : +49(0)40/30-85-86-0
FAX : +49(0)40/30-85-86-89
E-MAIL : info@thermaltake.de
WWW : <http://de.thermaltake.com>

Russia - Thermaltake Russia Representative Office

Office 404, bld. 40/22, Nikoloyamskaya Str.,
Moscow 109004, Russia
Tel : +7(916)726-2888
E-MAIL : info@thermaltakerussia.ru
<http://ru.thermaltake.com>

Australia

Australia - Thermaltake Australia and New Zealand Pty Ltd.
63-69 Ricketts Road Mount Waverley, VIC 3149, Australia
E-MAIL : sales@thermaltake.com.au
<http://www.thermaltake.com.au>