



### Key Applications

- Business Continuity
- Digital Signage
- Remote Surveillance
- Remote Patient Care Service
- Vending Machines
- Retail PoS / SCADA
- Metering Applications and much more

# Triple-SIM 4G/LTE Router with WWAN Failover

BEC MX-221P Triple-SIM 4G/LTE Router is a compact, affordable and high-performance fixed 4G/LTE Router with flexible options for multi-WAN failover with assigned specific interface for uninterrupted Internet services, priority or conditional failover among mobile carriers, redundant power source for safe & quick power installation via one of the versatile LAN/PoE-PD ports, secure network connection and smooth out traffic burst to ensure no drops on latency-sensitive application and data with Firewall and QoS capabilities to provide a reliable and cost-effective alternative solution for business continuity.

Triple SIMs	4G/LTE	Gigabit ETH WAN	PoE
2-Port Gb Switch	Auto Failover	QoS	BECentral

### Versatile WAN Options

MX-221P is a classic 4G/LTE router with multiple WAN interfaces for redundancy or seamless failover between mobile carrier and carrier network or mobile carrier and the wireline, an interchangeable Gigabit Ethernet LAN/WAN, to ensure continuous Internet connectivity. The device operates regardless of whether the primary connection is LTE or a Load balancing and traffic prioritization mechanisms can be enabled to enhance failover performance and maximize bandwidth utilization for critical applications delivery. In the event of a connectivity failure of the primary WAN interface, traffic will automatically redirect to the secondary WAN interface and seamless fallback when the primary interface connection is restored.

### Secure Network Privacy Protection

With hardware-based VPN engine, MX-221P supports simultaneous and multiple VPN remote and/or site-to-site connection access without network performance degradation. All online data transmissions including phone call, database access, etc. are encrypted and protected via the VPN technologies offered by the MX-221P including PPTP, IPSec, L2TP, GRE, OpenVPN and compatible with most major servers and platforms by establishing private tunnels and enabling office environment for Remote/Branch employees to work without being present in the headquarter office to ensure business continuity.

### 24/7 Cloud Management and Network Visibility

Remote monitoring, management and control of devices in real-time is essential for IoT networking devices, M2M and critical applications. BECentral®, BEC's Cloud Based Remote Management, is a comprehensive device management platform designed to minimize deployment, lower support expenses and maximize the operational efficiency and profitability of the operator. BECentral® provides access to critical information for LTE Network diagnostics and troubleshooting, such as: signal quality measurements (RSSI, RSRP, RSRQ and SINR), network status/APN, location ID and Cell ID. Additional functionality includes OTA firmware upgrades (individual or batch), multi-user account management, local network configuration settings on the MX-221P.

#### Always-On Internet Service

- Offer 4G/LTE and/or Ethernet IP broadband connectivity
- Automatic wireless and wireline failover & fallback
- Automatic or manually prioritize 4G/LTE carrier-to-carrier failover
- WAN Load Balancing

#### High Performance & Easy Access

- Local and Remote management via SNMP
- BECentral® Remote Management System
- Virtual Routing Redundancy Protocol (VRRP)
- QoS (Quality of Service)
- IEEE 802.1Q VLAN
- Bandwidth Management and Control

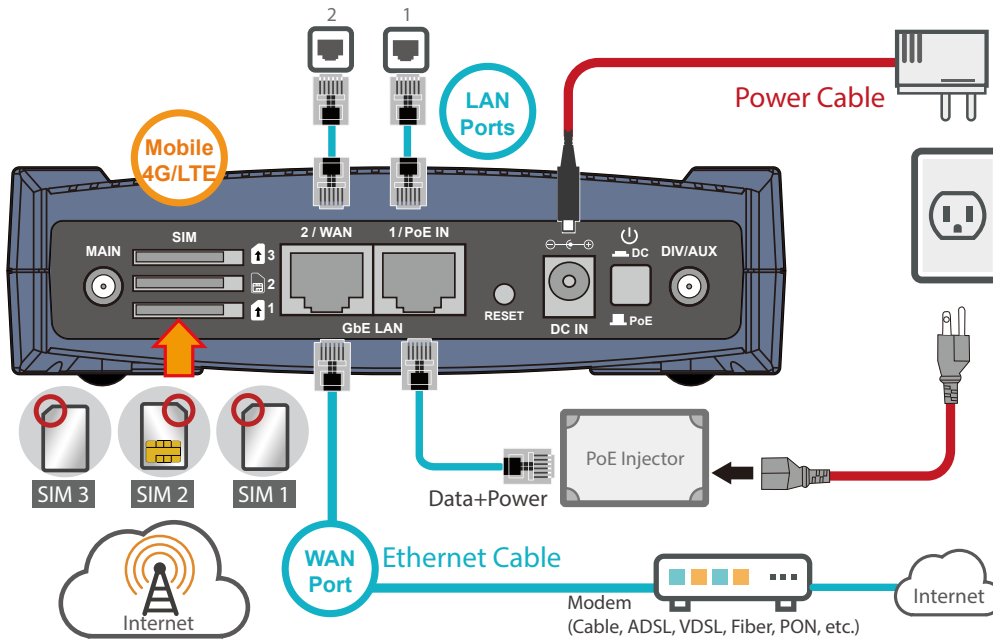
#### Enterprise Class Routing and Security

- Dynamic Routing Protocols (BGP, OSPF)
- Secured VPNs (IPSec, GRE, LT2P, PPTP, OpenVPN)

#### Ultra-Compact and Lightweight Design

- Small Form Factor
- Fits in the palm on your hand
- Simplified deployments, easily mounted discretely anywhere

### Application Diagram



### Features & Specifications

#### Availability and Resilience

- Dual-WAN ports (4G & Ethernet WAN)
- Load balancing - Maximizing bandwidth of outbound traffic
- Automatic failover and fallback

#### Supported Frequency Bands

- 4G/LTE: FDD (Cat.4)
  - : Uplink (UL) & Downlink (DL) in MHz
  - : B2 (1850–1910 UL | 1930–1990 DL)
  - : B4 (1710–1755 UL | 2110–2155 DL)
  - : B5 (824–849 UL | 869–894 DL)
  - : B12 (699–716 UL | 729–746 DL)
  - : B13 (777–787 UL | 746–756 DL)
  - : B14 (788–798 UL | 758–768 DL)
  - : B66 (1710–1780 UL | 2110–2200 DL)
  - : B71 (663–698 UL | 617–652 DL)
- WCDMA: B2, B4, B5
- Peak downlink speeds up to 150Mbps and peak uplink speeds up to 50Mbps
- LTE Maximum Output Power: 23dBm±2dB
- Web-based GUI for Configuration and Management Center

#### Network Protocols and Features

- IPv4, IPv6, IPv4 / IPv6 dual stack
- IP Tunnel IPv6 in IPv4 (6RD)
- IP Tunnel IPv4 in IPv6 (DS-Lite)
- NAT, static routing and RIP-1/2
- Universal Plug and Play (UPnP) compliant
- Dynamic Domain Name System (DDNS)
- Virtual server and DMZ

#### Firewall

- Built-in NAT Firewall
- Stateful Packet Inspection (SPI)
- Prevents DoS attacks including Land Attack, Ping of Death, etc.
- Access Control
- IP Filtering, MAC Filtering, URL Filtering
- Password protection for system management
- VPN Passthrough

#### Quality of Service Control

- IEEE 802.1Q VLAN
- Bandwidth Management
- Outbound Load Balancing (Round Robin, Weight or IP Hash)

#### Secured VPN (Optional)

- IPSec, PPTP VPN Tunneling
- L2TP over IPSec VPN Tunneling
- Embedded PPTP / L2TP / IPSec Client and Server
- IKE Key Management
- MPPE Encryption for PPTP
- IPSec DES, 3DES and AES encryption
- GRE and OpenVPN

#### Dynamic Routing Protocols (Optional)

- BGP and OSPF

#### Management

- Quick Installation Wizard
- Web-based GUI for remote and local management
- Syslog monitoring

#### Management (Cont.)

- Firmware upgrade and configuration data upload and download via web-based GUI
- Supports DHCP server/client/relay
- TR-069 supports remote management
- BECentral® Cloud Management
- Support SNMP

#### Hardware Specifications

##### Physical Interface

- 3G/4G LTE: Two (2) SMA Female Connectors
- Power On/Off Button
- Power Source: DC or PoE
- Reset Button
- Ethernet LAN: 2-port 10/100/1000Mbps auto-crossover (MDI/ MDI-X) switch
  - 2 x Versatile Port
    - : LAN1 / PoE-PD
    - : LAN2 / EWAN
- SIM Card: Three (3) 2FF mini-SIM slots
- LED Indicators: Power / Ethernet 1-2 / LTE Signal Strength / Internet

##### Power Specifications

- Input: DC 12V 1.2A or PoE-PD (802.3at PD compliant (25.5W))

##### Physical Requirements

- Dimensions: 5.19"(W) x 1.38"(H) x 3.71"(D) (132mm x 35 mm x 94 mm)

##### Operating Environment

- Operating temperature: 0° to 40° C (32° to 104° F)
- Humidity: 20 ~ 95% non-condensing