

## Leak Detection Kit

Part Number: WSCK-10  
WSCK-40

## Leak Detection Extension Cables:

Part Number: 8706 (10ft cable) 8708 (50ft cable)  
8707 (25ft cable) 8709 (100ft cable)



## Protect a room or a data cabinet with this water-detection kit.

- Use this water-sensing kit to detect leaks
- Connects to a Geist Climate Monitor via Analog Input or Analog to Digital Converter
- Get alerts by email or SNMP if water is detected

Water lurks in walls, ceilings, floors and air conditioning evaporator trays - it can kill your gear fast. Detect moisture over a wide area. This leak detection cable can sense the presence of water or other conductive liquid over its entire length. Typically used to protect computer server rooms from water damage, the Leak Detection Kit attaches to a Geist Climate Monitor. When water is detected, the climate monitor sends alerts by e-mail or SNMP trap.

The sensing cable (orange wire) attaches to the floor using small nylon J-clips. The sensing cable connects to the leader cable which attaches to the wall-mounted interface box. An LED on the box provides a visual indication of a system status.

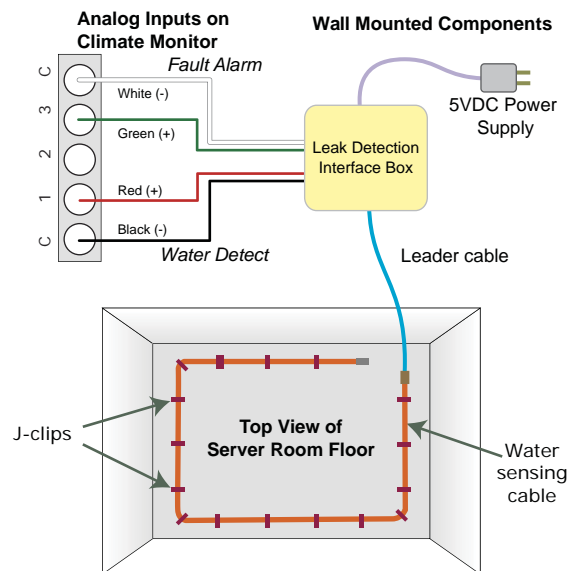
## Connecting to the Geist Climate Monitor

Four signal wires connect to terminals on the interface box. One pair of wires tells if water was detected, while the other tells if the cable is damaged (cable fault). These wires connect the interface box to the climate monitor. There are two ways to connect the signal wires to the Geist Climate Monitor. One option is to attach the wire to Analog Input terminals. The other option is to use two Analog to Digital Converter. Each Analog to Digital Converter converts the analog signal from a pair of wires into digital. This allows you to use digital sensor ports when Analog Inputs aren't available.

## Alarms

The Geist Climate Monitor continuously monitors the Leak Detection Kit to see if water is detected. If so, the Geist Climate Monitor follows the actions indicated by user-defined alarms. Options include sending alerts through email or SNMP and depending on the Geist Climate Monitor, trigger an alarm buzzer or energize an output relay. Alarm thresholds are configured through the web interface provided by the Geist Climate Monitor.

Surround the periphery of a room or encircle rows of data cabinets with this leak detection cable that detects liquid along the whole length.



The sensing wire connects to the leader cable which goes to the interface box. Signals from the interface box run to the Geist Climate Monitor.

### Sensor Details

#### Specifications

2 dry-contact type signals (water detection, cable fault)  
Cable to Geist Climate Monitor: 50', 4-conductor  
Leader cable length: 15'  
Sensing cable: 10' or 40' (up to 300' using extensions)  
Power: 5VDC wall transformer  
Indicator: Status LED

#### Compatibility

Works with all climate/power monitors with analog ports  
Compatible with Analog to Digital Converter

Please note the information contained herein is for informational purposes only. Technical claims listed depend on a series of technical assumptions. Your experience with these products may differ if you operate the products in an environment, which is different from the technical assumptions. Geist reserves the right to modify these specifications without prior notice. Geist makes no warranties, express or implied, on the information contained in this document.

10008701

### Geist Americas

800.432.3219  
geistglobal.com

Geist DCIM  
1.877.449.4150  
geistglobal.com

### Geist Europe

+44 (0) 1823 275100  
geistglobal.com

### Geist Asia

China  
+86.755.86639505  
geistglobal.com

Hong Kong  
+852 90361927  
geistglobal.com