

HCO-6020R

1080p Analog HD IR Bullet Camera

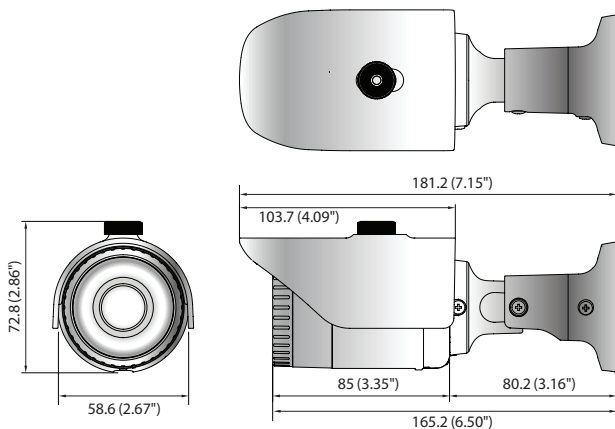


Key Features

- Full HD (1920 x x1080) resolution
- 0.17Lux@F1.6 (Color), 0Lux (B/W, IR LED on)
- Built-in 4.0mm fixed lens
- Day & Night (ICR), WDR (120dB)
- Motion detection, Privacy masking
- IR Viewable Length 30m
- Transmission distance max. 500m, IP66

Dimensions

Unit : mm (inch)



HCO-6020R

| HCO-6020R | |
|----------------------------------|---|
| VIDEO | |
| Imaging Device | 1/2.8" 2M CMOS |
| Effective Pixels | 1945(H)x1097(V) |
| Resolution | 1920 x 1080 |
| Max. Framerate | 30fps@1080p(N), 25fps@1080p(P) |
| Min. Illumination | Color : 0.17Lux (F1.6, 1/30sec) / B/W : 0Lux(IR LED on) |
| Video Out | BNC (AHD / TVI / CVI / CVBS Selectable) |
| LENS | |
| Focal Length (Zoom Ratio) | 4mm fixed focal |
| Max. Aperture Ratio | F1.6 |
| Angular Field of View | H : 87.6° / V : 46.4° / D : 104.5° |
| Min. Object Distance | 0.5m (1.64ft) |
| Focus Control | Manual |
| OPERATIONAL | |
| IR Viewable Length | 30m(98.43ft) |
| Camera Title | Displayed up to 15 characters |
| Day & Night | Auto(ICR) |
| Backlight Compensation | BLC, HLC, WDR |
| Wide Dynamic Range | 120dB |
| Digital Noise Reduction | SSNR IV |
| Defog | Support |
| Motion Detection | 4ea |
| Privacy Masking | 8ea, rectangular zones |
| Gain Control | Low / Middle / High / Very High |
| White Balance | ATW / AWC / Manual / Indoor / Outdoor |
| Electronic Shutter Speed | 1 ~ 1/12,000sec |
| Video Rotation | H-Rev / V-Rev |
| Analytics | Motion detection |
| Coaxial Protocol | ACP(AHD Coax Protocol), TCP(TVI Coax Protocol), CCP(CVI Coax Protocol) CVBS : Pelco-C(Coaxitron) |
| Video Transmission Distance | 500m (5C2V Coaxial Cable) |
| ENVIRONMENTAL | |
| Operating Temperature / Humidity | -30°C ~ +55°C(-22°F ~ +131°F) / Less than 90% RH |
| Certification | IP66 |
| ELECTRICAL | |
| Input Voltage | 12VDC |
| Power Consumption | Max 5.4W |
| MECHANICAL | |
| Color / Material | Dark Gray / Plastic |
| Product dimension / weight | Ø58.6 x 165.2mm(2.31 x 6.50"), 279g(0.62 lb) |

* The latest product information / specification can be found at hanwha-security.com
 * Design and specifications are subject to change without notice.
 * Wisenet is the proprietary brand of **Hanwha Techwin**.

Accessories (Optional)

TBD