



SPECIAL **T**

LINK

Flexible Collaboration



LINK

LINK fosters learning and collaboration in continuously evolving workplaces and classrooms. Numerous shapes and sizes, heavy-duty casters, and easy ganging offer flexibility to quickly reconfigure the space for any size group interactions.





Move, Learn, and Reconfigure with Ease



from Classroom



to Collaboration



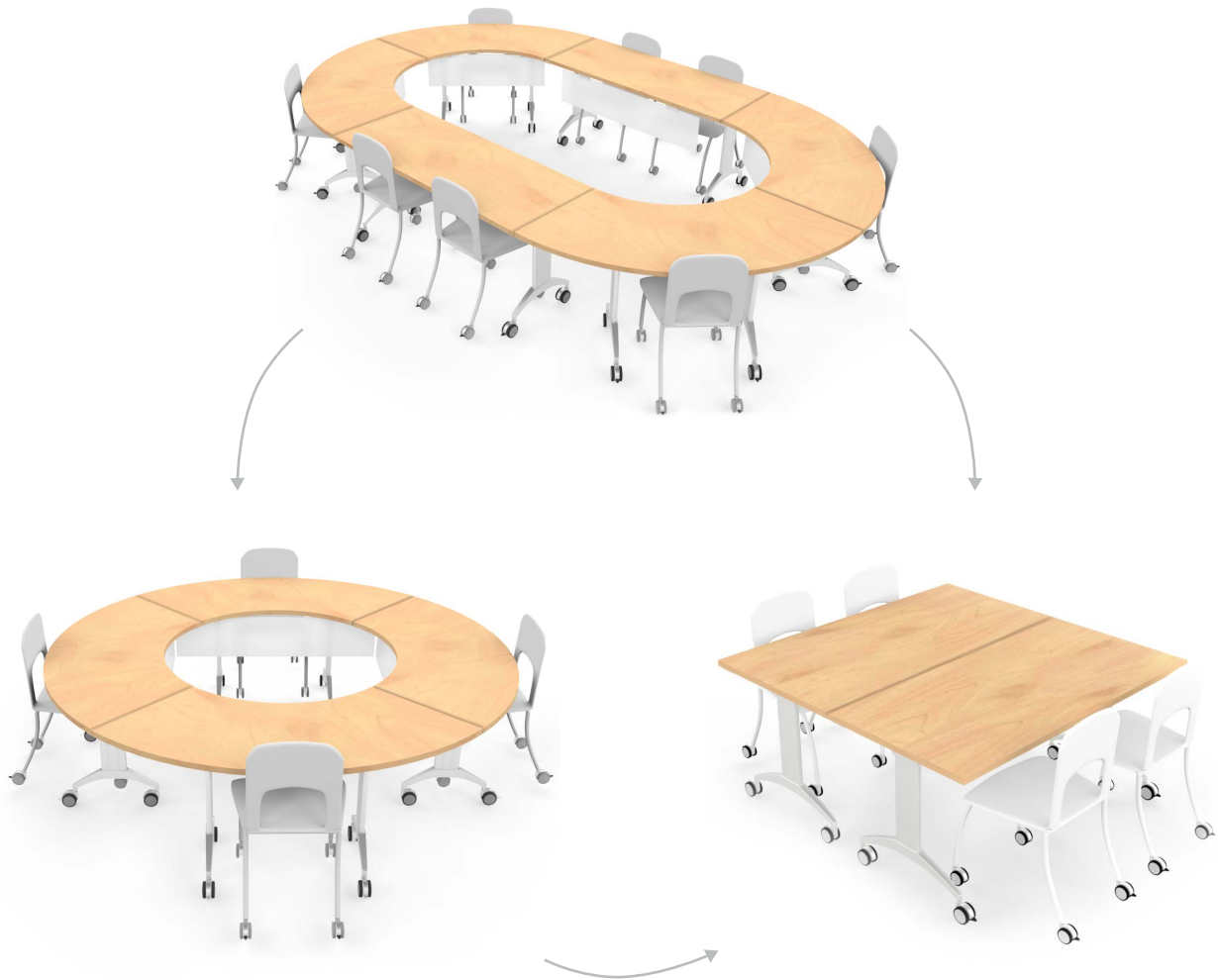
Configuration TR12 with acrylite panel

to Lecture

Effortless Transitions

With 6 top shapes and easy to use ganging clips, LINK tables can be connected in infinite ways within minutes.

from *CONFERENCE* to *COLLABORATION*



DESIGN YOUR LINK

Unlimited Configurations

Shapes



Rectangle



Trapezoid



Half Round



Presentation



Crescent



Quarter Round
(Linking Top)

Configurations



R4



RH22



RT22



SR4



R6



R8



R5



RQ44



CR42



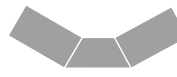
CR22



C4



PR14



TR12



T3



T6



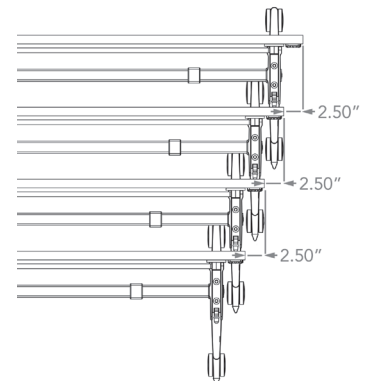
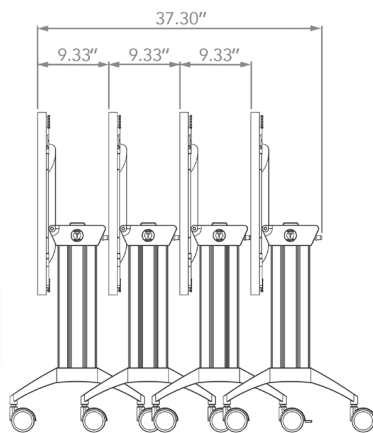
DESIGN YOUR LINK

Smart Design



Nesting

Tight nesting allows for space saving storage when tables are not being used.



Options

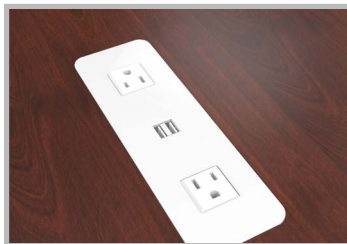


Power and Data



Villa

Power
USB
Ethernet



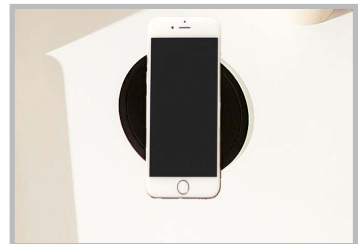
Cove

Power
USB



Nacre®

Power
USB
Ethernet



Wireless Charging

Qi Charging Technology

Accessories



Acrylite® Modesty Panel



Laminate Modesty Panel



Vertical Wire Management



J-Shape Wire Management

DESIGN YOUR LINK





LINK Auditorium

Design an attractive lecture hall with a flat floor. Three different row heights are available to create an obstruction-free learning environment. Fixed height bases, leveling glides and standard ganging clips provide maximum stability. Create straight rows with rectangular tables or add a curve by combining rectangular and trapezoid worksurfaces.

Table Heights

28.75", 36.75", 40.75"

Shapes



Rectangle



Trapezoid

Configurations



R3



TR12



RT12



TABLES & BASES

888.705.0777

specialt.net

