

2EZH

Dual Screen Pneumatic Vertical Lift Monitor Stand

2EZH comes packed with user geared features such as removable VESA mounting plates, monitor height adjustment and integrated cable management. When clamp or grommet based monitor arms are not an option, the 2EZH stand makes it a great option for those looking for a sturdy solution! It raises two 17"-27" monitors in horizontal line to clear up your valuable work surface, at the same time allows for ergonomic viewing made for you. The cable clips encourage a clutter free work area by neatly tucking loose wiring. Monitor adjustment is quick and easy with its built in tool holder positioned to be hid out of sight.



Features:

- Detachable VESA Plate Design: enables easy installation
- Gas Spring Switch: allows for effortless adjustment
- Cable Clip: routes cables to reduce clutter for a clean look and more organized place
- Non-skid Silicone Pads: protect work surface from scratches or scuffs

Specifications

Product Category	• Gas Spring Monitor Arm	Monitor Weight Capacity (per screen)	• 6Kg(13.2lbs)
Material	• Aluminum, Plastic	VESA Compatible	• 75x75, 100x100
Surface Finish	• Powder Coating	Tilt Range	• +20° ~ -20°
Colour	• Slate Black	Swivel Range	• +10° ~ -10°
Dimensions	• 738 x 220 x 408-518 mm (29.1" x 8.7" x 16.1"-20.4")	Screen Rotation	• +180° ~ -180°
Installation	• Freestanding	Pole Height	• 370mm(14.6")
Suggested Screen Size	• 17"-27"	Quick Release VESA Plate	• Yes
Fit Curved Monitor	• Yes	Cable Management	• Yes
Screen Quantity	• 2		

Warranty and Support

Warranty: 3 Years

Support: Free technical support (phone/email)

www.amer.com / www.amermounts.com

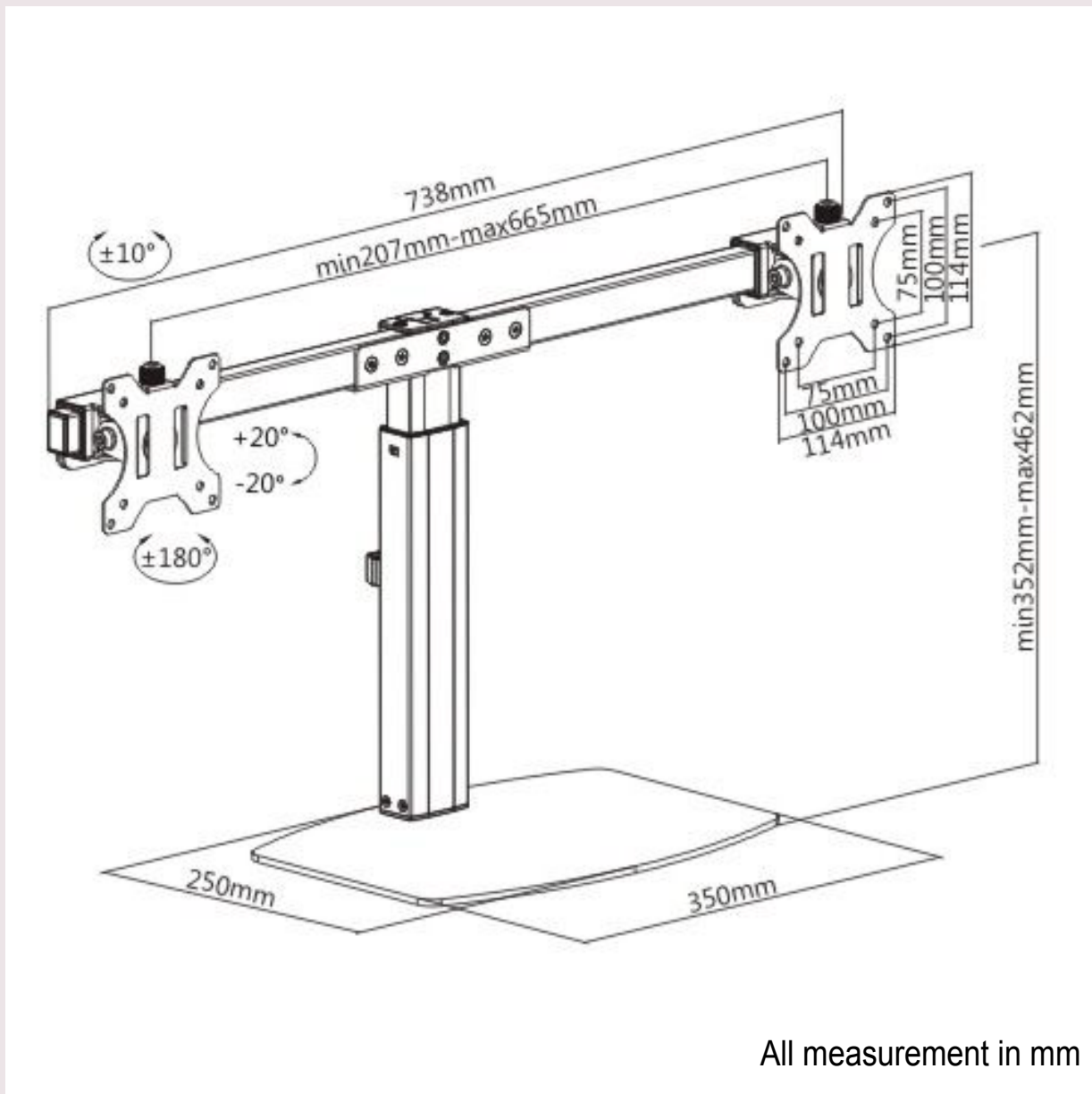
sales@amer.com
1-800-262-9703

Specifications subject to change without notice. Errors and omissions excepted. All trademarks are properties of their respective owners.

Revision 1.01

2EZH

Dual Screen Pneumatic Vertical Lift Monitor Stand



www.amer.com / www.amermounts.com

sales@amer.com

1-800-262-9703

Specifications subject to change without notice. Errors and omissions excepted. All trademarks are properties of their respective owners.

Revision 1.01