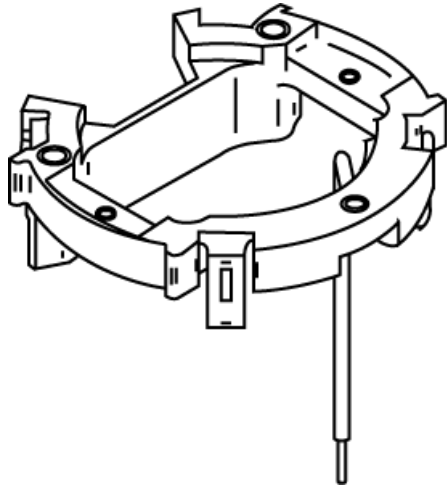




Wiremold
Ratchet-Pro 881 Series Ratchet Adjusting Ring
Part No. 881ADP



Wiremold® Ratchet-Pro™ Series Floor Boxes provide single- and dual-service capability in a variety of easy-to-install round floor boxes. These designs allow the flexibility for providing power, A/V or communication services to open-space areas in an aesthetic solution. Applications include malls, shopping centers, department stores, airports, hospitals, and office buildings. Ratchet-Pro™ Series Floor Boxes are cULus Listed for use in both on grade and above grade concrete construction.

Features & Benefits

Used to attach wiring devices and cover plates to PVC box. Locks into place without using glue or mechanical fasteners. Compensates for up to 10° of tilt if box is not level. Ground wire is factory attached to the adjusting ring. One ring required per box, single- or dual-service, ordered separately.

Specifications

General Info

Product Line	Wiremold	UPC Number	786564524274
Country Of Origin	United States	Construction	Not Assembled
Application Sector	Commercial	Standard	cULus Listed Metallic Outlet Boxes: File E2961 Guide QCIT, Meets Article 314.27(C) of NEC.
Type	Floor Box		

Dimensions

Product Width US	4.0 in	Product Depth US	4.0 in
Product Height US	1.13 in		

Listing Agencies / 3rd Party Agencies

cULus ListingNumber	E110748	cULus Listed	Yes
---------------------	---------	--------------	-----

Buy American Act Compliance

NAFTA

Yes

Additional Information

RoHS Conformant

Yes
