

GV-EBD8700 8MP H.265 Low Lux WDR Pro IR Eyeball IP Dome

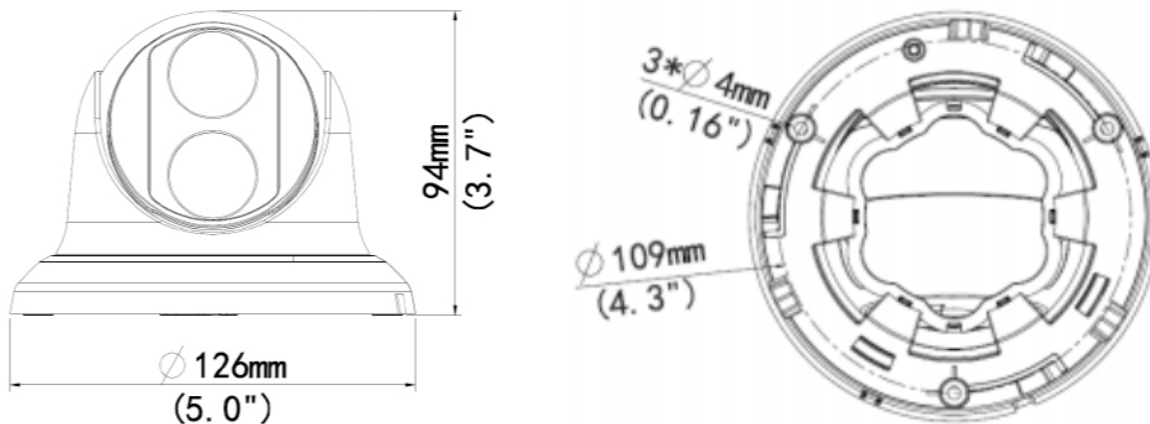


- 1/2.5" progressive scan low lux CMOS sensor
- Min. illumination at 0.02 lux
- Triple streams from H.265, H.264 or MJPEG
- Up to 20 fps at 3840 x 2160
- Intelligent IR
- IR distance up to 30 m (98.4 ft)
- Day and night function (with removable IR-cut filter)
- Ingress protection (IP67)
- DC 12 V / PoE (IEEE 802.3af)
- Wide Dynamic Range Pro (WDR Pro)
- Defog
- 3D noise reduction
- Motion detection
- Tampering alarm
- Text overlay
- Privacy mask
- ONVIF (Profile S, Profile T) conformant

Introduction

The H.265 Target Eyeball Dome is an outdoor, network camera equipped with an automatic IR-cut filter and an IR LED for day and night surveillance. The camera adheres to IP67 standards and supports H.265 video codec to achieve better compression ratio while maintaining high quality pictures at reduced network bandwidths. With its WDR Pro, it can process scenes with contrasting intensity of lights and produce clear image.

Dimensions



Specifications

Camera		
Image Sensor		1/2.5" progressive scan low lux CMOS
Picture Elements		3840 (H) x 2160 (V)
Minimum Illumination	Color	0.02 Lux
	IR ON	0 Lux
Shutter Speed		Auto / Manual (1/6 ~ 1/100000 s)
White Balance		Auto / Manual
Gain Control		Auto / Manual
S/N Ratio		52 dB
WDR		WDR Pro
Dynamic Range		Up to 120 dB

Optical Lens		
Megapixel		Yes
Day / Night		Yes (with removable IR-cut filter)
Lens Type		Fixed
Focal Length		2.8 mm
Maximum Aperture		F/2.0
Mount		M12
Horizontal FOV		106°
Operation	Focus	Fixed
	Zoom	
	Iris	
IR LED Quantity		1 IR LED
Max. IR Distance		30 m (98.4 ft)
Operation		
Video Compression		H.265, H.264, MJPEG
Video Streaming		Triple streams from H.265, H.264 or MJPEG
Frame Rate		20 fps at 3840 x 2160, 30 fps at 2592 x 1944, 2944 x 1656, 2560 x 1440, 1920 x 1080 (60 /50 Hz) * The frame rate and performance may vary depending on the number of connections and data bitrates (different scenes).
Video Analytics		Motion Detection, Tampering Alarm, Cross Line, Intrusion, Object Moving, Object Left, Defocus, Scene Change, Face Detection, People Counting *Cross line, intrusion, object moving, object left, defocus, scene change, face detection, people counting cannot be integrated with GV-VMS / DVR / NVR
Video Resolution		
Main Stream		3840 x 2160 (Default), 2592 x 1944, 2944 x 1656, 2560 x 1440, 1920 x 1080
Sub Stream		1920 x 1080, 1280 x 720, 720 x 576 (Default), 704 x 288, 640 x 360, 352 x 288
Third Stream (Closed by Default)		720 x 576, 704 x 288, 640 x 360, 352 x 288
Network		
Interface		10/100 Ethernet
Protocol		802.1 x, ARP, DHCP, DynDNS, DNS, FTP, HTTP, HTTPS, IPv4, ICMP, IGMP, NTP, PPPoE, QoS, RTCP, RTP, RTSP, SMTP, SNMP, TCP/IP, UDP, UPnP, ONVIF (Profile S, T)
Mechanical		
Camera Angle Adjustment	Pan	0° ~ 360°
	Tilt	0° ~ 90°
	Rotate	0° ~ 360°
Connectors	Power	DC Jack (DC 12 V, 1.25 A), PoE
	Ethernet	RJ-45
General		
Environment Temperature	Start-up	-35°C ~ 60°C (-31°F ~ 140°F)
	Operation	
Humidity		0% ~ 90% (no condensation)
Power Source		12 V DC / PoE (IEEE 802.3af)
Max. Power Consumption		5.5 W
Dimensions		126 x 94 mm (Ø5.0 x 3.7")
Weight		0.45 kg (0.99 lb)
Ingress Protection		IP67
Regulatory		CE, FCC, RoHS compliant
Web Interface		
Installation Management		Web-based configuration
Maintenance		Firmware upgrade through Web Browser or GV-IP Device Utility (V8.7.2.2)
Access from Web Browser		Live View, Video Recording, Change Video Quality, Bandwidth Control, Image Snapshot, Defog, Text Overlay, Image Masking
Language		Czech, English, French, German, Hungarian, Italian, Japanese, Polish, Portuguese, Russian, Spanish, Traditional Chinese

Applications	
Software Supported	GV-DVR / NVR (V8.8.0), GV-VMS (V17.1.0.100), GV-Control Center (V3.5.1), GV-Recording Server / Video Gateway (V1.4.2), GV-Edge Recording Manager for Windows (V1.4.0), GV-Redundant / Failover Server (V1.1.0.0)
Live Viewing	Browser (IE, Chrome, Edge, Firefox, Safari)





Note:

1. It is required to apply patch files to some of the supported software.
2. Do not use clothes or any ordinary material to clean the camera cover since they may result in scratches.
3. Specifications are subject to change without notice.

Packing List

- | | |
|-------------------------------|--------------------------|
| 1. GV-EBD8700 IR Eyeball Dome | 4. Drill Template Paster |
| 2. Waterproof Rubber Set | 5. Download Guide |
| 3. Screw Kit | 6. Warranty Card |

Accessories

Model No.	Name		Details
GV-Mount211P	Wall Mount Bracket		Dimensions: 233 x 126 x 126 mm (9.2" x 5" x 5") Weight: 1 kg (2.2 lb)
GV-Mount212P	Wall Box Mount		Dimensions: Ø 126 x 36 mm (5.0" x 1.4") Weight: 0.22 kg (0.48 lb)
GV-Mount420 (must be used with GV-Mount211P)	Pole Mount Bracket		Dimensions: Ø 120 x 120 x 53.4 mm (4.7" x 4.7" x 2.1") Weight: 0.45 kg (0.99 lb)
GV-PA191	Power over Ethernet (PoE) Adapter		GV-PA191 is a Power over Ethernet (PoE) adapter designed to provide power to the IP device through a single Ethernet cable.
GV-PoE Switch	GV-PoE Switch is designed to provide power along with network connection for IP devices. GV-PoE Switch is available in various models with different numbers and types of ports.		
Power Adapter	Contact our sales representatives for the countries and areas supported.		