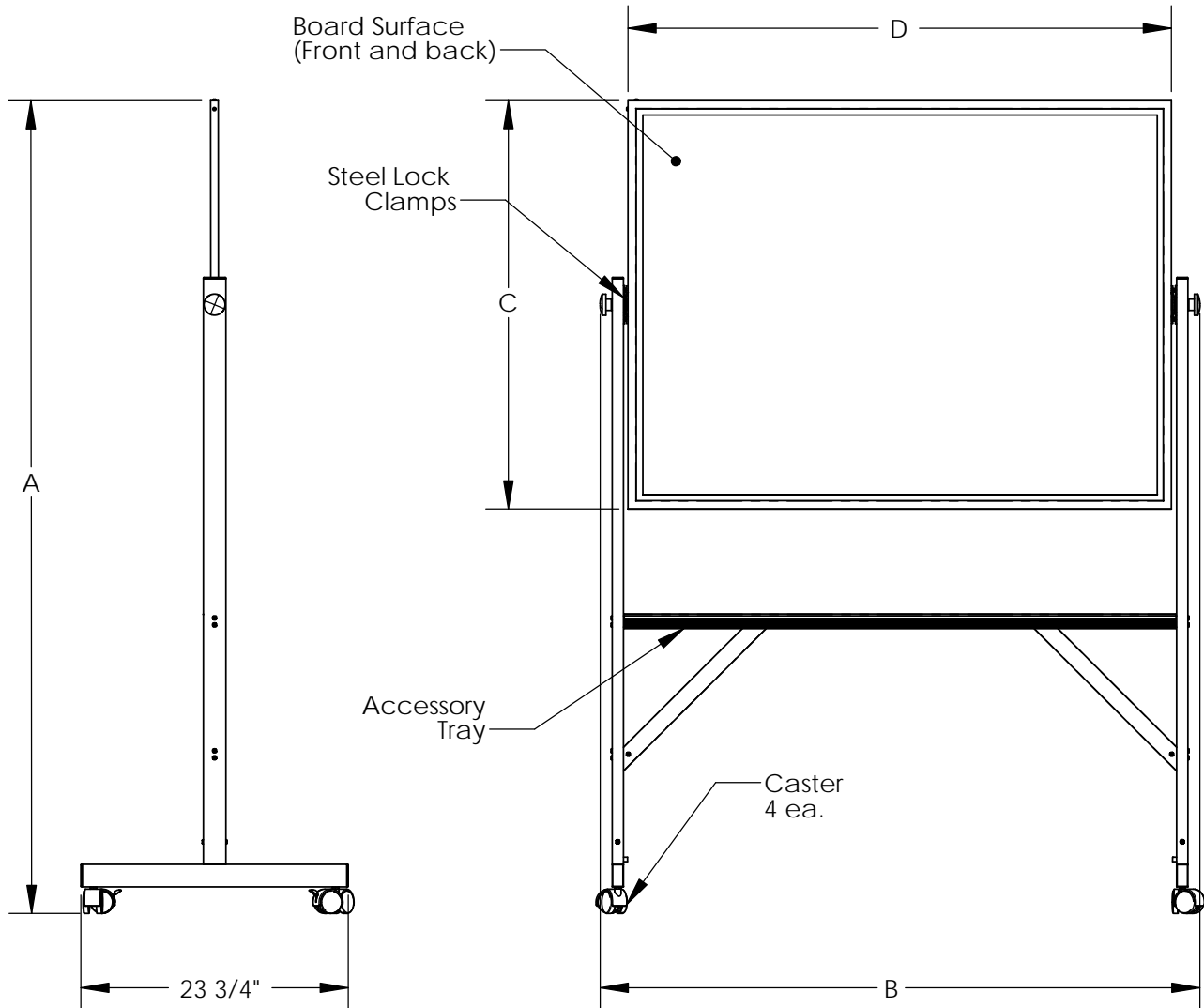


AR Series Aluminum Framed Reversible Boards



Materials:

- Framework: Satin anodized aluminum extrusion.
- Board surfaces: Whiteboard - white enamel applied to 1/8" hardboard.
Chalk board - green carborundum slating applied to 1/8" hardboard.
Tack board - natural cork applied to 3/8" fiberboard
- Swivel casters are black thermoplastic with wheel locks.

Features:

- Available in two board sizes: 36"H x 48"W and 48"H x 72"W
- Board surfaces combinations available: chalk/chalk, chalk/cork, whiteboard/chalk, whiteboard/whiteboard, whiteboard/cork, and cork/cork

Notes:

- All board surfaces are non-magnetic (Magnetic porcelain writing surfaces are available as a special - order custom item)
- Indoor use only

ITEM NUMBER	A	B	C	D
ARCC34, ARCK34, ARMC34, ARMM34, ARMK34, ARKK34	72-1/8"	53-1/4"	36-1/4"	48-1/4"
ARCC46, ARCK46, ARMC46, ARMM46, ARMK46, ARKK46	78-1/8"	77-1/4"	48-1/4"	72-1/4"