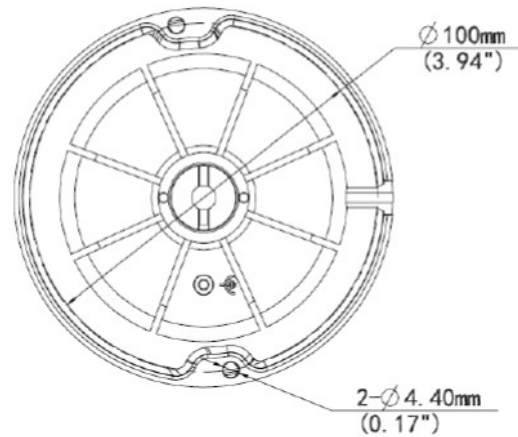
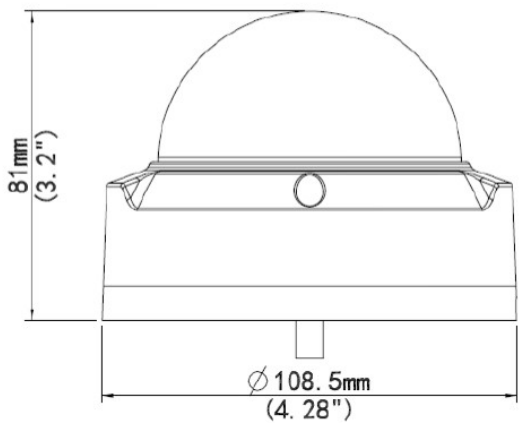


## GV-TDR2700 2MP H.265 Low Lux WDR Pro IR Mini Fixed Rugged IP Dome



- 1/2.8" progressive scan low lux CMOS sensor
- Triple streams from H.265, H.264 or MJPEG
- Up to 30 fps at 1920 x 1080
- Intelligent IR
- IR distance up to 30 m (98.4 ft)
- Day and night function (with removable IR-cut filter)
- Ingress protection (IP67)
- Vandal Resistant (IK10)
- Built-in micro SD card slot (SD / SDHC / SDXC / UHS-I, Class 10) for local storage
- Two-way audio
- DC 12V / PoE (IEEE 802.3af)
- Wide Dynamic Range (WDR Pro)
- ONVIF (Profile S 、 Profile G) conformant

### Dimensions



## Specifications

Camera		
Image Sensor	1/2.8" progressive scan low lux CMOS	
Picture Elements	1920 (H) x 1080 (V)	
Minimum Illumination	Color	0.003 Lux
	IR ON	0 Lux
Shutter Speed	Auto / Manual (1 ~ 1/100000 sec)	
White Balance	Auto / Manual	
Gain Control	Auto / Manual	
S/N Ratio	52 dB	
WDR Pro	Yes	
Dynamic Range	120 dB	
Lens		
Megapixel	Yes	
Day / Night	Yes (with removable IR-cut filter)	
Lens Type	Fixed	
Focal Length	2.8 mm	
Maximum Aperture	F/1.6	
Mount	M12	
Horizontal FOV	105°	
Operation	Focus	Fixed
	Zoom	Fixed
	Iris	Fixed
IR LED Quantity	1 IR LED	
Max. IR Distance	30 m (98.4 ft)	
Operation		
Video Compression	H.265, H.264, MJPEG	
Video Streaming	Triple streams from H.265, H.264 or MJPEG	
Video Resolution	Main Stream	1920 x 1080 (Default)
	Sub Stream	1280 x 720, 720 x 576 (Default), 704 x 288, 352 x 288
	Third Stream (Closed by Default)	720 x 576, 704 x 288, 352 x 288
Frame Rate	30 fps at 1920 x 1080 (60 / 50 Hz) * The frame rate and performance may vary depending on the number of connections and data bitrates (different scenes).	
Image Setting	Brightness, Contrast, Saturation, Sharpness, Flicker-less, Image Orientation	
Audio Compression	G.711	
Audio Support	Two-way Audio	
Sensor Input	1 Input	
Alarm Output	1 Digital Output	
Network		
Interface	10/100 Ethernet	
Protocol	DHCP, DNS, DynDNS, FTP, HTTP, HTTPS, IPv4, ICMP, NTP, PPPoE, RTP, RTCP, RTSP, SNMP, SMTP, SSL, TCP/IP, UDP, ONVIF (Profile S、Profile G)	
Mechanical		
Temperature Detector	No	
Camera Angle Adjustment	Pan	0° ~ 360°
	Tilt	0° ~ 75°
	Rotate	0° ~ 360°
Connectors	Power	DC Jack (DC 12V, 1.25A), PoE
	Ethernet	RJ-45 connector
	Audio	1 in (Audio In Wire); 1 out (Audio Out Wire) *The Audio In port only support microphones with power supply.
	Digital I/O	I/O wires
	Local Storage	Micro SD card slot (SD / SDHC / SDXC / UHS-I, Class 10) *UHS-II card type is not supported.
General		

Operating Temperature	-35°C ~ 60°C (-31°F ~ 140°F)
Humidity	0% ~ 95% (no condensation)
Power Source	12 V DC / PoE (IEEE802.3af)
Max. Power Consumption	4 W
Dimensions	Ø 108.5 x 81 mm (Ø4.28" x 3.2")
Weight	0.45 kg (0.99 lb)
Ingress Protection	IP67
Vandal Resistant	IK10
Regulatory	FCC, CE, RoHS compliant

#### Web Interface

Installation Management	Web-based configuration
Maintenance	Firmware upgrade through Web Browser or Utility
Access from Web Browser	Live View, Video Recording, Change Video Quality, Bandwidth Control, Image Snapshot, Defog, Text Overlay, Image Masking
Language	Czech, English, French, German, Hungarian, Italian, Japanese, Polish, Portuguese, Russian, Spanish

#### Applications

Software Supported	GV-DVR / NVR (V8.7.4.0), GV-VMS (V16.11.0.0), GV-Control Center (V3.5.0.0), GV-Edge Recording Manager (V1.3.0.0), GV-Recording Server / Video Gateway (V1.3.0.0), GV-Redundant / Failover Server (V1.1.0.0)
Smart Device Access	GV-Eye for iOS and Android
Live Viewing	Browser (IE, Firefox, Safari), Mobile App